



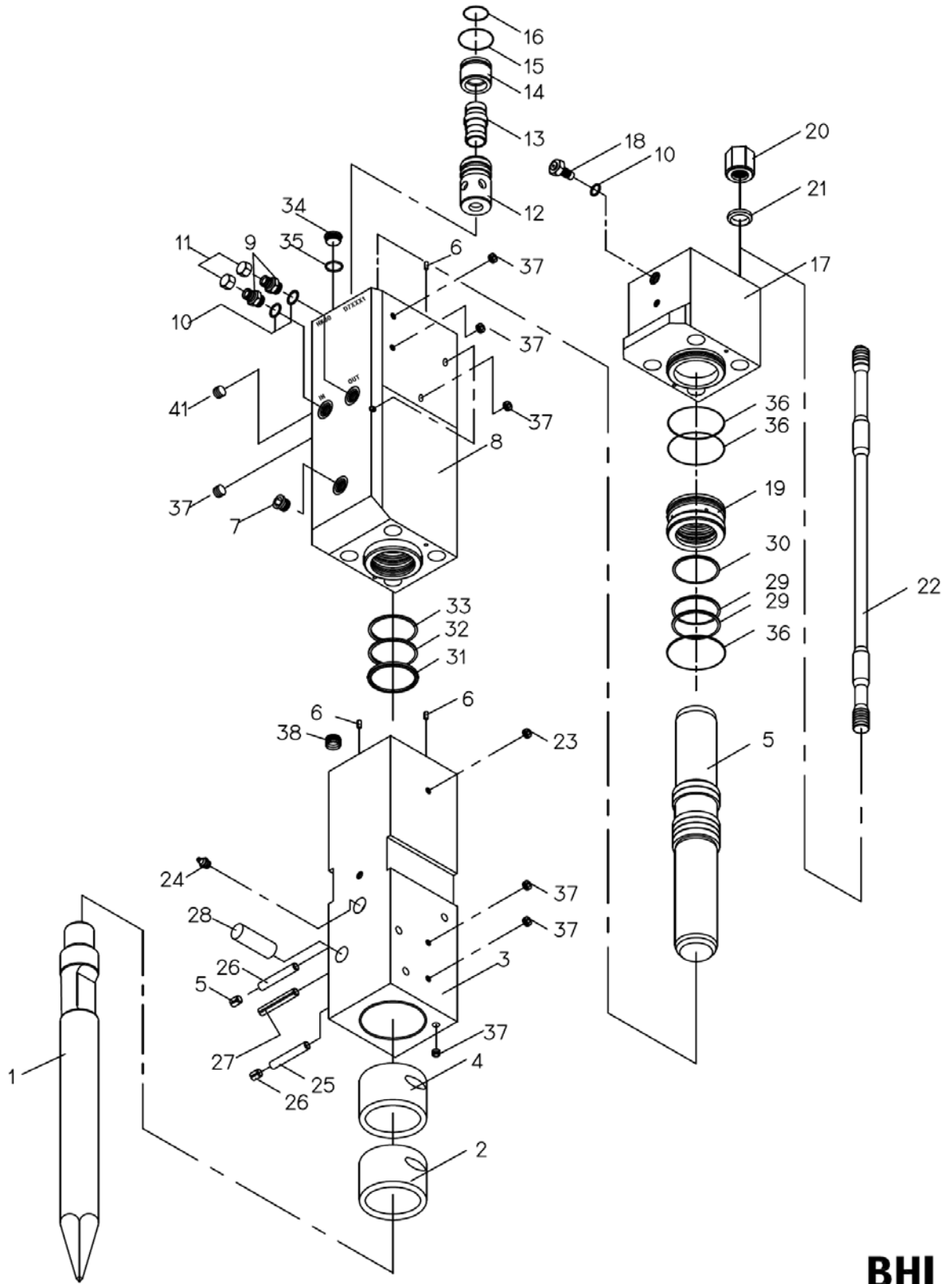
BHI HydroRam Hydraulic Hammer

HK40 Parts List



HK40 POWER CELL PART LIST

HK40 POWER CELL



BHI

■ HK40 POWER CELL PART LIST

No.	Part No.	Part Name	Q'ty	No.	Part No.	Part Name	Q'ty
0	D4000000	POWER CELL ASSEMBLY	1	23	D4000230	ORIFICE SOCKET PLUG	1
1	D4000050	TOOL(MOIL)	1	24	13007810	GREASE NIPPLE	1
1-1	D4000090	TOOL(CONE)	0	25	D4000240	STOP PIN	2
1-2	D4000060	TOOL(H-WEDGE)	0	26	D4000250	SPRING PIN	2
1-3	D4000070	TOOL(V-WEDGE)	0	27	D4000260	SPRING PIN	1
1-4	D4000080	TOOL(FLAT)	0	28	D4000270	RETAINER PIN	1
1-5	D4000100	TOOL(SPADE H-WEDGE)	0	29	22300020	STEP SEAL	2
1-6	D4000110	TOOL(SPADE V-WEDGE)	0	30	22200030	GAS SEAL	1
2	D4000140	TOOL HOLDER BUSHING	1	31	22002510	DUST SEAL	1
3	D4000150	TOOL HOLDER	1	32	22003760	U PACKING SEAL	1
4	D4000160	ROUND BUSHING	1	33	22000080	BUFFER SEAL	1
5	D4000320	PISTON	1	34	D4000280	M18 SOCKET PLUG	3
6	D9000050	PIN	2	35	22402060	O-RING	3
7	13006040	PT SOCKET PLUG	1	36	22401460	O-RING	3
8	D4000180	CYLINDER	1	37	13006010	PT SOCKET PLUG	8
9	13008830	O-RING ADAPTER	2	38	13103210	HELI COIL SPRING	4
10	22402070	O-RING	3	39	16800010	SPRING HOSE	2
11	13007110	UNION CAP	2	40	13006530	HOSE PLUG	2
12	D5000230	MAIN VALVE CASE	1	41	13006020	PT SOCKET PLUG	1
13	D5000240	MAIN VALVE	1	-	D4691000	HEAD CAP SET	-
14	D5000220	MAIN VALVE CAP	1	-	D4691100	CYLINDER SET	-
15	22402300	O-RING	1	-	D4691200	TOOL HOLDER SET	-
16	22401330	O-RING	1	-	D4691400	TENSION BOLT SET	-
17	D4000190	HEAD CAP	1	-	D4691500	SPARE SEAL KIT	-
18	D7000200	GAS VALVE ASSEMBLY	1	-	D5698000	N ₂ GAS CHARGING KIT	-
19	D5000270	CYLINDER BUSHING	1	MEMO			
20	D4000200	TOP NUT	4				
21	D4000210	TENSION BOLT WASHER	4				
22	D4000220	TENSION BOLT	4				

■ HK40 SPARE SEAL KIT

No.	Item No.	Part No.	Part Name	Q'ty	MEMO
0	0	D4691500	SPARE SEAL KIT	1	
1	10	22402070	O-RING	3	
2	15	22402300	O-RING	1	
3	16	22401330	O-RING	1	
4	29	22300020	STEP SEAL	2	
5	30	22200030	GAS SEAL	1	
6	31	22002510	DUST SEAL	1	
7	32	22003760	U PACKING SEAL	1	
8	33	22000080	BUFFER SEAL	1	
9	35	22402060	O-RING	3	
10	36	22401460	O-RING	3	

■ HK40 TOOL KIT PART LIST

No.	Part No.	Part Name	Q'ty			Remarks
			Side	Top	Silence	
0	-	TOOL KIT	D4691600	D4691700	D4691800	HK40
1	16503000	TOOL BOX	1	1	1	No 2.
2	16500260	COMBI SPANNER	1	1	1	14mm
3	16502100	DOUBLE SPANNER	1	1	1	27x30mm
4	16502520	SINGLE SPANNER	1	1	1	36mm
5	16502470	SINGLE SPANNER	1	1	1	24mm
6	16501160	L-WRENCH	1	1	1	M8
7	16501140	L-WRENCH	1	1	1	5mm

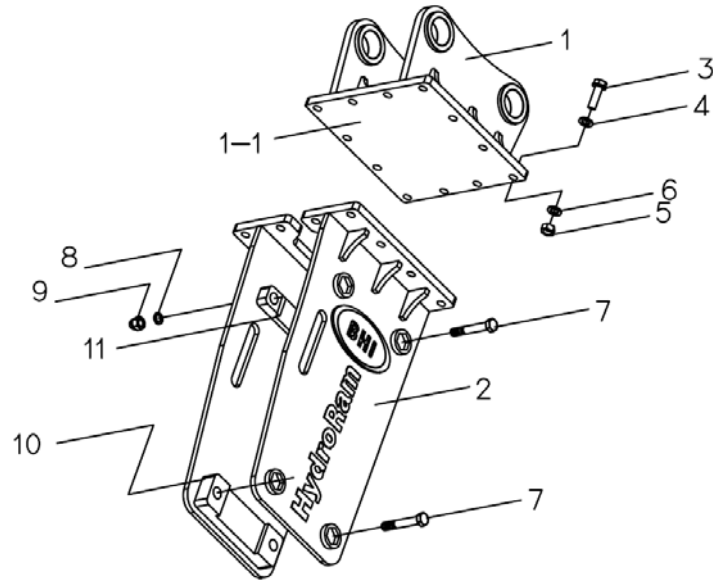
■ HK40 N2 GAS CHARGING KIT

No.	Part No.	Part Name	Q'ty	MEMO
0	D5698000	N ₂ GAS CHARGING KIT	1	
1	13105900	N ₂ GAS 3-WAY VALVE ASSEMBLY	1	
2	16802000	N ₂ HOSE	1	
3	13105910	N ₂ COUPLING KIT	1	
4	13105930	N ₂ GAS CYLINDER	1	

■ HK40 BRACKET PART LIST

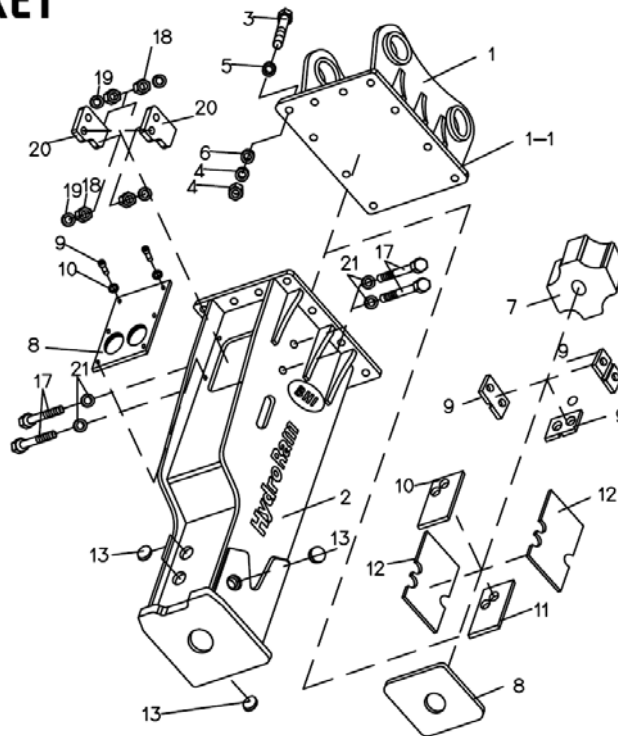
HK40

TOP BRACKET



BHI

SILENT BRACKET



BHI

■ HK40 BRACKET PART LIST

■ HK40 TOP BRACKET				■ HK40S SILENCE BRACKET			
No.	Part No.	Part Name	Q'ty	No.	Part No.	Part Name	Q'ty
0	D4200000	TOP BRACKET ASSEMBLY	1	0	D4300000	SILENCE BRACKET ASSEMBLY	1
1	D4200040	REAR BRACKET	1	1	D4300090	REAR BRACKET	1
2	D4200010	TOP BRACKET	1	2	D4300010	SILENCE BRACKET BODY	1
3	20007160	HEX HEAD BOLT	12	3	20007160	HEX HEAD BOLT	10
4	13000090	FLAT WASHER	24	4	12001450	HEX HEAD NUT	10
5	12001450	HEX HEAD NUT	12	5	13000090	FALT WASHER	20
6	13001090	SPRING WASHER	12	6	13001090	SPRING WASHER	10
7	20035180	HEX HEAD BOLT	4	7	D4300020	UPPER CUSHION	1
8	13001130	SPRING WASHER	4	8	D4300030	DOWN CUSHION	1
9	12005990	CAP NUT	4	9	D5300080	SIDE WEAR PLATE	3
10	D4200020	GUIDE BLOCK(A)	2	10	D4300040	LOW FRONT WEAR PLATE(1)	1
11	D4200030	GUIDE BLOCK(B)	2	11	D4300050	LOW FRONT WEAR PLATE(2)	1
-	D4693000	SET BOLT SET	-	12	D4300060	SIDE BOTTOM WEAR PLATE	2
-	D4695100	DECAL KIT	-	13	D9300070	RUBBER CAP-S	5
MEMO				14	D4300070	COVER PLATE	1
				15	20211030	HEX SOCKET HEAD BOLT	6
				16	13000060	FLAT WASHER	6
				17	20006790	HEX HEAD BOLT	4
				18	12001440	HEX HEAD NUT	4
				19	13001080	SPRING WASHER	4
				20	D4300080	STOPPER	2
				21	13000080	FLAT WASHER	4
				-	D4695200	DECAL KIT	-
				MEMO			

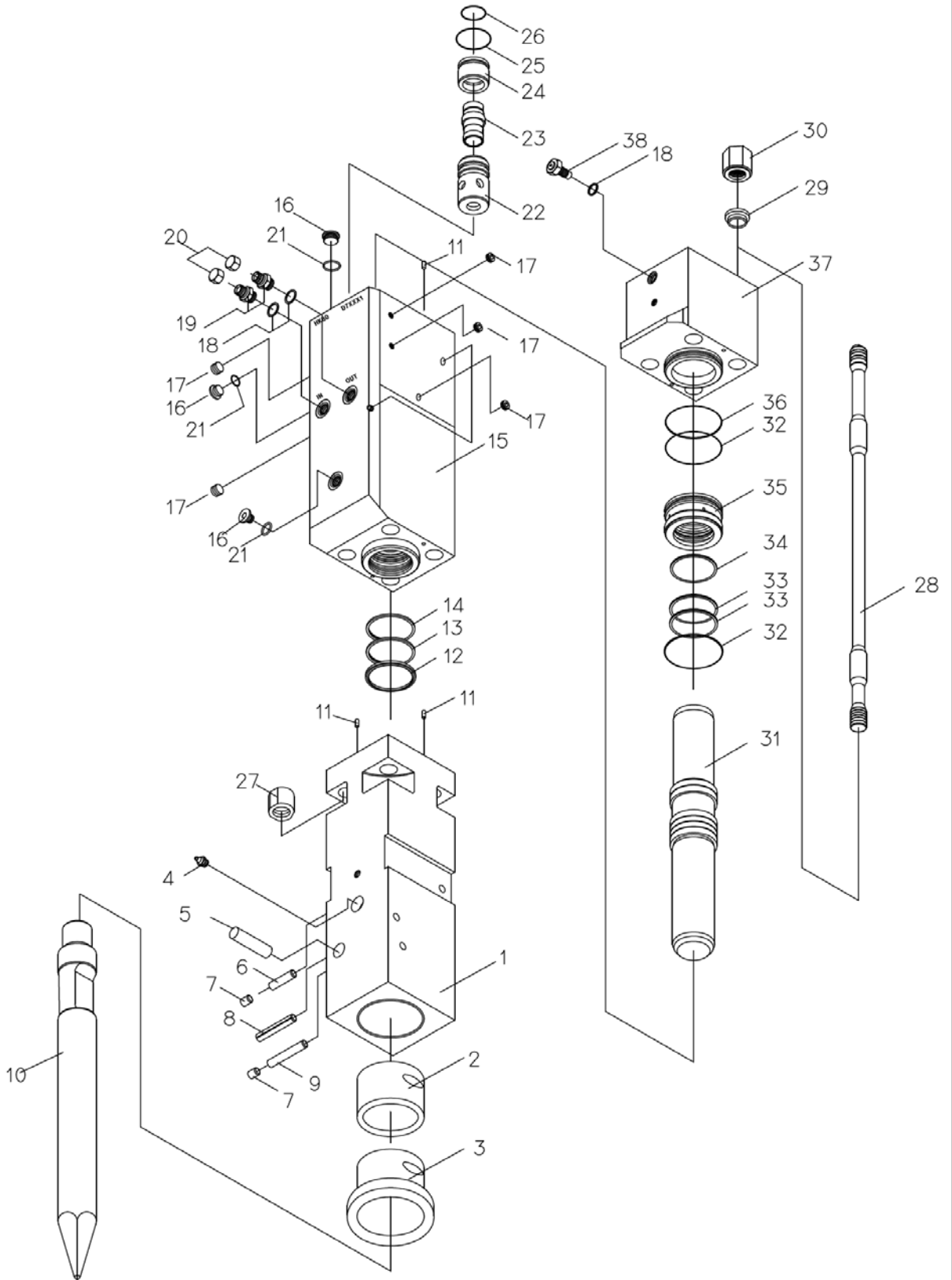


BHI HydroRam Hydraulic Hammer

HK45 Parts List

HK45 POWER CELL PART LIST

HK45 POWER CELL



■ HK45 POWER CELL PART LIST

No.	Part No.	Part Name	Q'ty	No.	Part No.	Part Name	Q'ty
0	D5000000	POWER CELL ASSEMBLY	1	23	D5000240	MAIN VALVE	1
1	D5000130	TOOL HOLDER	1	24	D5000220	MAIN VALVE CAP	1
2	D5000140	ROUND BUSHING	1	25	22402300	O-RING	1
3	D5000120	TOOL HOLDER BUSHING	1	26	22401330	O-RING	1
4	13007810	GREASE NIPPLE	1	27	D5000160	BOTTOM NUT	4
5	D5000250	RETAINER PIN	1	28	D5000170	TENSION BOLT	4
6	D5000300	STOP PIN(B)	1	29	D5000190	TOP NUT WASHER	4
7	13007320	RUBBER PLUG	2	30	D4000200	TOP NUT	4
8	D4000260	SPRING PIN	1	31	D5000380	PISTON	1
9	D5000260	STOP PIN(A)	1	32	22401460	O-RING	2
10	D5000050	TOOL(MOIL)	1	33	22300020	STEP SEAL	2
10-1	D5000060	TOOL(CONC)	0	34	22200030	GAS SEAL	1
10-2	D5000070	TOOL(H-WEDGE)	0	35	D5000270	CYLINDER BUSHING	1
10-3	D5000080	TOOL(V-WEDGE)	0	36	22401480	O-RING	1
10-4	D5000090	TOOL(FLAT)	0	37	D5000210	HEAD CAP	1
10-5	D5000100	TOOL(SPADE H-WEDGE)	0	38	D7000200	GAS VALVE ASSEMBLY	1
10-6	D5000110	TOOL(SPADE V-WEDGE)	0	39	16800010	SPRING HOSE	2
11	D9000050	PIN	2	40	13006530	HOSE PLUG	2
12	22002510	DUST SEAL	1	-	-	-	-
13	22003760	U PACKING SEAL	1	-	D5691000	HEAD CAP SET	-
14	22000080	BUFFER SEAL	1	-	D5691100	CYLINDER SET	-
15	D5000180	CYLINDER	1	-	D5691200	TOOL HOLDER SET	-
16	D4000280	M18 SOCKET PLUG	6	-	D5691400	TENSION BOLT SET	-
17	13006010	PT SOCKET PLUG	8	-	D5691500	SPARE SEAL KIT	-
18	22402070	O-RING	3	-	D5698000	N ₂ GAS CHARGING KIT	-
19	13008830	O-RING ADAPTER	2	MEMO			
20	13007110	UNION CAP	2				
21	22402060	O-RING	6				
22	D5000230	MAIN VALVE CASE	1				

■ HK45 SPARE SEAL KIT

No.	Item No.	Part No.	Part Name	Q'ty	MEMO
0	-	D5691500	SPARE SEAL KIT	1	
1	12	22002510	DUST SEAL	1	
2	13	22003760	U PACKING SEAL	1	
3	14	22000080	BUFFER SEAL	1	
4	18	22402070	O-RING	3	
5	21	22402060	O-RING	6	
6	25	22402300	O-RING	1	
7	26	22401330	O-RING	1	
8	32	22401460	O-RING	2	
9	33	22300020	STEP SEAL	2	
10	34	22200030	GAS SEAL	1	
11	36	22401480	O-RING	1	

■ HK45 TOOL KIT

No.	Part No.	Part Name	Q'ty			Remarks
			Side	Top	Silence	
0	-	TOOL KIT	D5691600	D5691700	D5691800	
1	16503000	TOOL BOX	1	1	1	No 2.
2	16500260	COMBI SPANNER	1	1	1	14mm
3	16502100	DOUBLE SPANNER	1	1	1	27x30mm
4	16502470	SINGLE SPANNER	-	1	1	24mm
5	16502520	SINGLE SPANNER	1	1	1	36mm
6	16501140	L WRENCH	1	1	1	5mm
7	16501160	L WRENCH	1	1	1	8mm
8	16503090	HANDLE RETAINER PIN	1	1	1	M12
9	16500700	HAMMER RING WRENCH	1	-	-	41mm

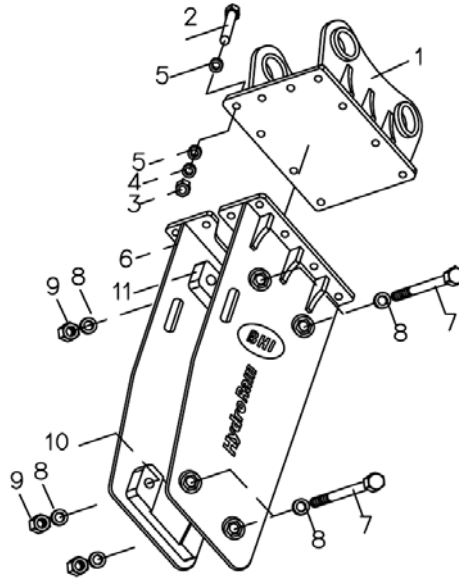
■ HK45 N₂ GAS CHARGING KIT

No	Part No	Part Name	Q'ty	MEMO
0	D5698000	N ₂ GAS CHARGING KIT	1	
1	13105900	N ₂ GAS 3-WAY VALVE ASSEMBLY	1	
2	16802000	N ₂ HOSE	1	
3	13105910	N ₂ COUPLING KIT	1	
4	13105930	N ₂ GAS CYLINDER	1	

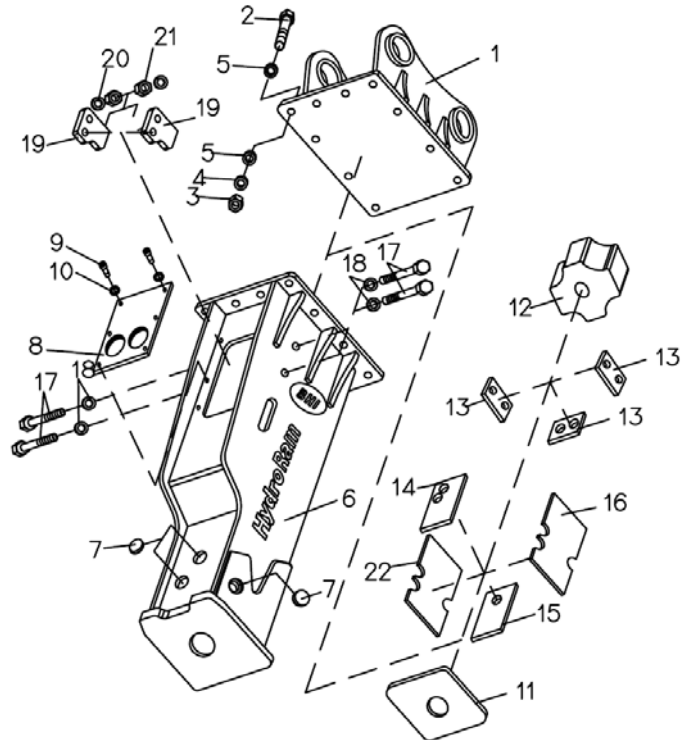
■ HK45 BRACKET

HK45

TOP BRACKET



SILENCE BRACKET



■ HK45 BRACKET

■ HK45 TOP BRACKET				■ HK45S SILENCE BRACKET			
No.	Part No.	Part Name	Q'ty	No.	Part No.	Part Name	Q'ty
0	D5200000	TOP BRACKET ASSEMBLY	1	0	D5300000	SILENCE BRACKET ASSEMBLY	1
1	D4200040	REAR BRACKET	1	1	D4300090	REAR BRACKET	1
2	20007160	HEX HEAD BOLT	12	2	20007160	HEX HEAD BOLT	10
3	12001450	HEX HEAD NUT	12	3	12001450	HEX HEAD NUT	10
4	13001090	SPRING WASHER	12	4	13001090	SPRING WASHER	10
5	13000090	FLAT WASHER	24	5	13000090	FLAT WASHER	20
6	D5200170	TOP BRACKET	1	6	D5300050	SILENCE BRACKET BODY	1
7	20035550	HEX HEAD BOLT	4	7	D9300070	RUBBER CAP-S	5
8	13001140	SPRING WASHER	4	8	D5300130	COVER PLATE	1
9	12006000	CAP NUT	4	9	20211030	HEX SOCKET HEAD BOLT	6
10	D5100090	GUIDE BLOCK(A)	2	10	13000060	FLAT WASHER	6
11	D5100100	GUIDE BLOCK(B)	2	11	D5300070	DOWN CUSHION	1
-	D5693000	SET BOLT SET	-	12	D5300060	UPPER CUSHION	1
-	D5695100	DECAL KIT	-	13	D5300080	SIDE WEAR PLATE	3
MEMO				14	D5300090	LOW FRONT WEAR PLATE(1)	1
				15	D5300100	LOW FRONT WEAR PLATE(2)	1
				16	D5300110	LOW SIDE WEAR PLATE(R)	1
				17	20006790	HEX HEAD BOLT	4
				18	13000080	FLAT WASHER	4
				19	D5300210	STOPPER	2
				20	13001080	SPRING WASHER	4
				21	12001440	HEX HEAD NUT	4
				22	D5300140	LOW SIDE WEAR PLATE(L)	1
				-	D5695200	DECAL KIT	-
				MEMO			

MEMO

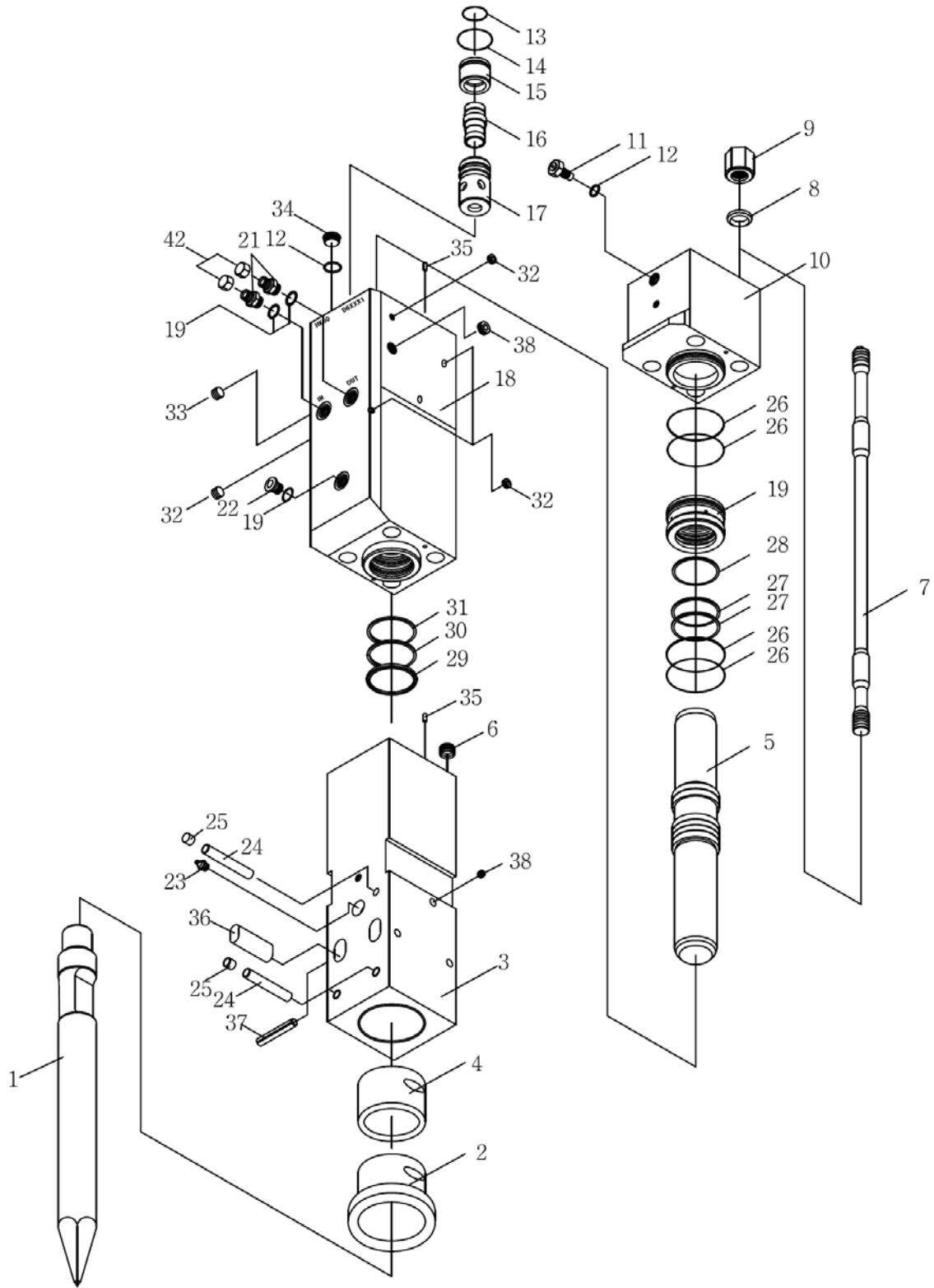


BHI HydroRam Hydraulic Hammer

HK60 Parts List

■ HK60 POWER CELL

HK60 POWER CELL



■ HK60 POWER CELL

No.	Part No.	Part Name	Q'ty	No.	Part No.	Part Name	Q'ty
0	D6000000	POWER CELL ASSEMBLY	1	24	D5000260	STOP PIN(A)	3
1	D6000050	TOOL(MOIL)	1	25	13007320	RUBBER PLUG	3
1-1	D6000060	TOOL(CONE)	0	26	22401490	O-RING	4
1-2	D6000070	TOOL(H-WEDGE)	0	27	22300030	STEP SEAL	2
1-3	D6000080	TOOL(V-WEDGE)	0	28	22200040	GAS SEAL	1
1-4	D6000090	TOOL(FLAT)	0	29	22002560	DUST SEAL	1
1-5	D6000100	TOOL(SPADE H-WEDGE)	0	30	22003790	U PACKING SEAL	1
1-6	D6000110	TOOL(SPADE V-WEDGE)	0	31	22000110	BUFFER SEAL	1
2	D6000130	TOOL HOLDER BUSHING	1	32	13006010	PT SOCKET PLUG	5
3	D6000140	TOOL HOLDER	1	33	13006040	PT SOCKET PLUG	1
4	D6000150	ROUND BUSHING	1	34	DA000400	PF1/2 SOCKET PLUG	3
5	D6000160	PISTON	1	35	D9000050	PIN	2
6	13103250	HELI COIL SPRING	4	36	D6000250	RETAINER PIN	1
7	D6000170	TENSION BOLT	4	37	D6000260	SPRING PIN	1
8	D6000180	TOP NUT WASHER	4	38	13006030	PT SOCKET PLUG	1
9	D6000190	TOP NUT	4	39	13007130	UNION CAP	2
10	D6000200	HEAD CAP	1	*40	23390040	SPRING HOSE	2
11	D7000200	GAS VALVE ASSEMBLY	1	*41	13006550	HOSE PLUG	2
12	22402070	O-RING	4	-	-	-	-
13	22401330	O-RING	1	-	D6691000	HEAD CAP SET	-
14	22402300	O-RING	1	-	D6691100	CYLINDER SET	-
15	D5000220	MAIN VALVE CAP	1	-	D6691200	TOOL HOLDER SET	-
16	D5000240	MAIN VALVE	1	-	D6691400	TENSION BOLT SET	-
17	D5000230	MAIN VALVE CASE	1	-	D6691500	SPAER SEAL KIT	
18	D6000210	CYLINDER	1	-	D5698000	N ₂ GAS CHARGING KIT	
19	D6000220	CYLINDER BUSHING	1	MEMO			
20	22402110	O-RING	3				
21	13008850	O-RING ADAPTER	2				
22	DA000240	PF3/4 SOCKET PLUG	1				
23	13007810	GREASE NIPPLE	1				

■ HK60 SPARE SEAL KIT

No.	Item No.	Part No.	Part Name	Q'ty	MEMO
0	-	D6691500	SPARE SEAL KIT	1KIT	
1	12	22402070	O-RING	4	
2	13	22401330	O-RING	1	
3	14	22402300	O-RING	1	
4	20	22402110	O-RING	3	
5	26	22401490	O-RING	4	
6	27	22300030	STEP SEAL	2	
7	28	22200040	GAS SEAL	1	
8	29	22002560	DUST SEAL	1	
9	30	22003790	U PACKING SEAL	1	
10	31	22000110	BUFFER SEAL	1	
MEMO					

■ HK60 TOOL KIT

No.	Part No.	Part Name	Q'ty			Remarks
			Side	Top	Silence	
0	-	TOOL KIT	D6691600	D6691700	D6691800	
1	16503000	TOOL BOX	1	1	1	No 2.
2	16501140	COMBI SPANNER	1	1	1	14mm
3	16502100	DOUBLE SPANNER	1	1	1	27x30mm
4	16502520	SINGLE SPANNER	1	1	1	36mm
5	16501140	L WRENCH	1	1	1	5mm
6	16500700	HAMMER RING WRENCH	1	1	1	41mm
7	16503090	HANDLE RETAINER PIN	1	1	1	M12

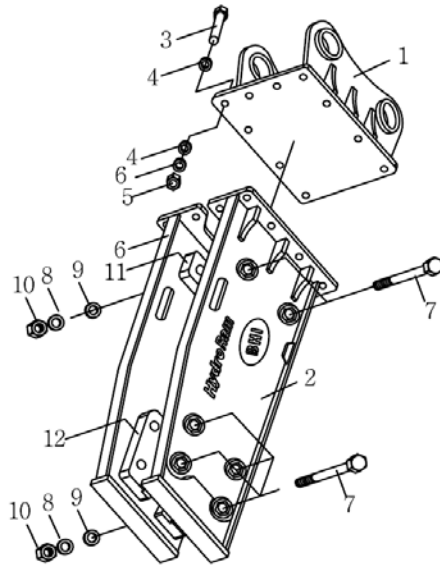
■ HK60 N2 GAS CHARGING KIT

No.	Part No.	Part Name	Q'ty	MEMO
0	D5698000	N ₂ GAS CHARGING KIT	1	
1	13105900	N ₂ GAS 3-WAY VALVE ASSEMBLY	1	
2	16802000	N ₂ HOSE	1	
3	13105910	N ₂ COUPLING KIT	1	
4	13105930	N ₂ GAS CYLINDER	1	

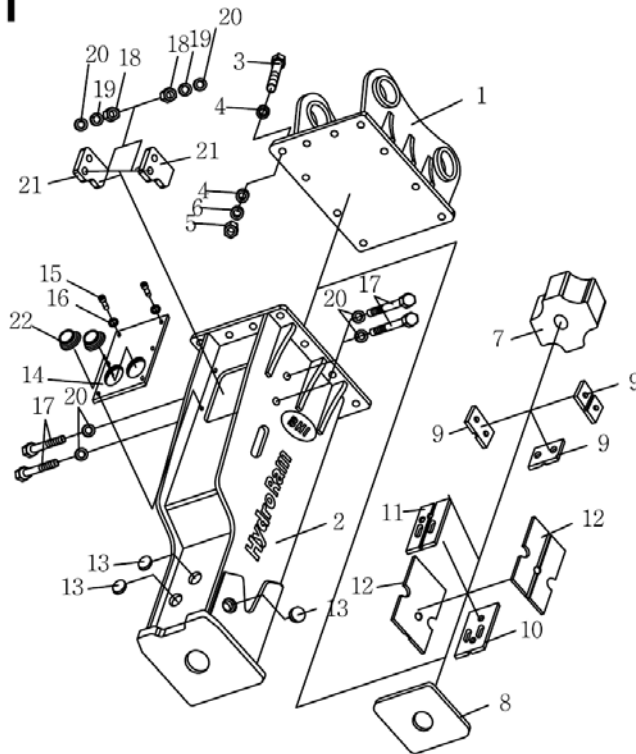
■ HK60 BRACKET

HK60

TOP BRACKET



SILENT BRACKET



■ HK60 BRACKET

■HK60 TOP BRACKET				■HK60S SILENCE BRACKET			
No.	Part No.	Part Name	Q'ty	No.	Part No.	Part Name	Q'ty
0	D6200000	TOP BRACKET ASSEMBLY	1	0	D6300000	SILENCE BRACKET ASSEMBLY	1
1	D6200050	REAR BRACKET	1	1	D6300120	REAR BRACKET	1
2	D6200010	TOP BRACKET	1	2	D6300010	SILENCE BRACKET BODY	1
3	20007520	HEX HEAD BOLT	12	3	20007520	HEX HEAD BOLT	12
4	13000100	FLAT WASHER	24	4	13000100	FLAT WASHER	24
5	12001460	HEX HEAD NUT	12	5	12000860	HEX HEAD NUT	12
6	13001100	SPRING WASHER	12	6	13001100	SPRING WASHER	12
7	20036370	HEX HEAD BOLT	6	7	D5300060	UPPER CUSHION	1
8	13001140	SPRING WASHER	6	8	D6300040	DOWN CUSHION	1
9	13000220	FLAT WASHER	6	9	D5300080	SIDE WEAR PLATE	3
10	12006000	CAP NUT	6	10	D6300050	LOW FRONT WEAR PLATE(2)	1
11	D6200080	GUIDE BLOCK(B)	2	11	D6300060	LOW FRONT WEAR PLATE(1)	1
12	D6200070	GUIDE BLOCK(A)	2	12	D6300070	LOW SIDE WEAR PLATE	2
MEMO				13	D9300070	RUBBER CAP-F	5
				14	D6300100	MC COVER PLATE	1
				15	20211400	HEX SOCKET BOLT	6
				16	13000080	FLAT WASHER	6
				17	20006790	HEX HEAD BOLT	4
				18	12001440	HEX HEAD NUT	4
				19	13001080	SPRING WASHER	4
				20	13000080	FLAT WASHER	4
				21	D6300110	STOPPER	2
				22	34552010	HOSE PROTECT	2
				MEMO			

MEMO

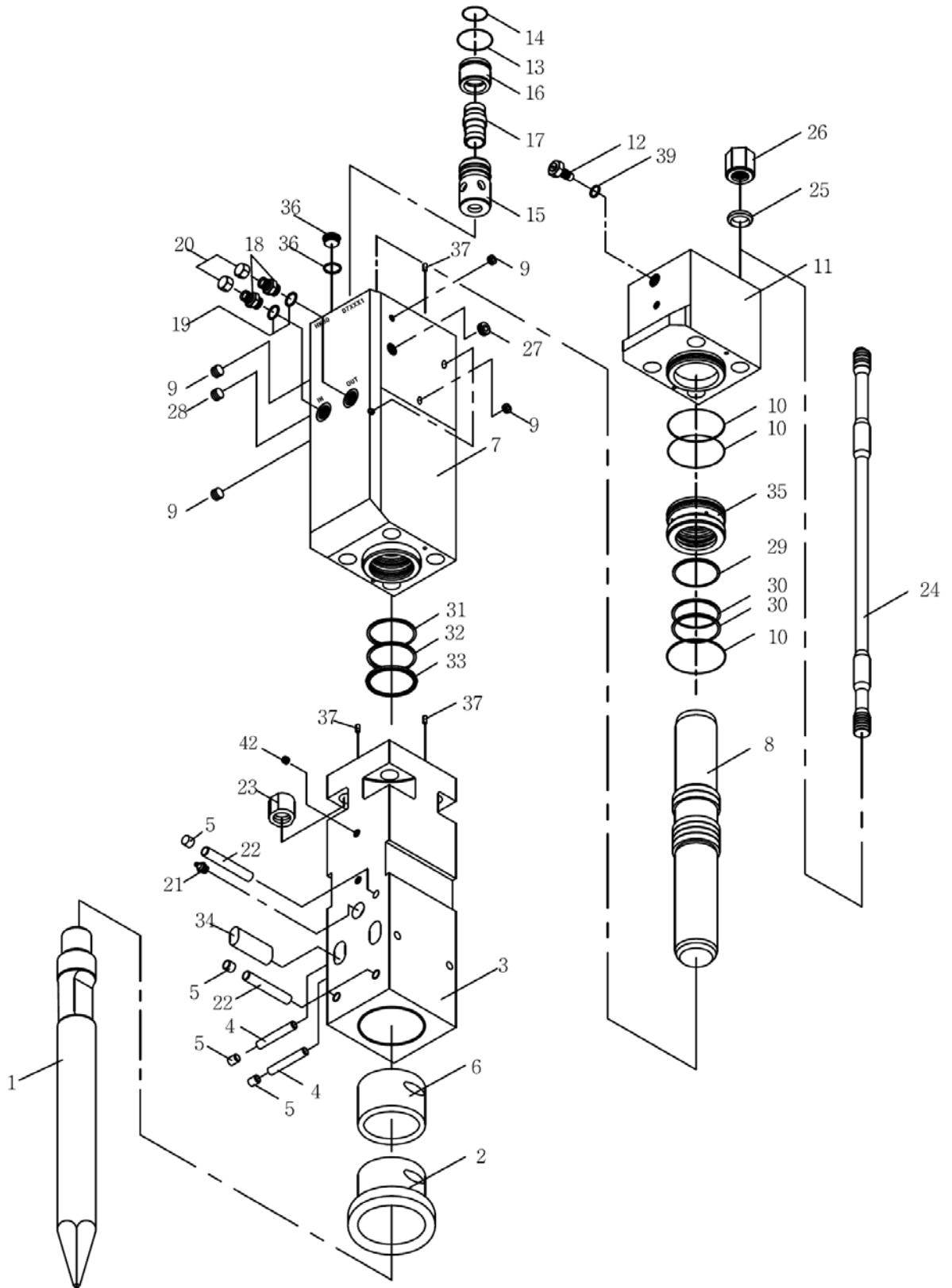


BHI HydroRam Hydraulic Hammer

HK80 Parts List

HK80 POWER CELL PART LIST

HK80 POWER CELL



■ HK80 POWER CELL PART LIST

No	Part No	Part Name	Q'ty	No	Part No	Part Name	Q'ty
0	D7000000	POWER CELL ASSEMBLY	1	24	D7000260	TENSION BOLT	4
1	D7000050	TOOL(MOIL)	1	25	D7000270	TENSION BOLT WASHER	4
1-1	D7000060	TOOL(H-WEDGE)	1	26	D7000280	TOP NUT	4
1-2	D7000070	TOOL(V-WEDGE)	1	27	13006060	PT SOCKET PLUG	1
1-3	D7000080	TOOL(CONE)	1	28	13006040	PT SOCKET PLUG	1
1-4	D7000090	TOOL(FLAT)	1	29	22200050	GAS SEAL	1
1-5	D7000100	TOOL(SPADE H-WEDGE)	1	30	22300040	STEP SEAL	2
1-6	D7000110	TOOL(SPADE V-WEDGE)	1	31	22000140	BUFFER SEAL	1
2	D7000130	TOOL HOLDER BUSHING	1	32	22003830	U PACKING SEAL	1
3	D7000140	TOOL HOLDER	1	33	22002600	DUST SEAL	1
4	D7000150	STOP PIN(B)	2	34	D7000310	RETAINER PIN	2
5	13007320	RUBBER PLUG	5	35	D7000290	CYLINDER BUSHING	1
6	D7000160	ROUND BUSHING	1	36	22402090	O-RING	4
7	D7000170	CYLINDER	1	37	D7000360	M24 SOCKET PLUG	4
8	D7000180	PISTON	1	38	D9100050	PIN	2
9	13006010	PT SOCKET PLUG	6	39	22402070	O-RING	1
10	22401540	O-RING	3	40	16800180	SPRING HOSE	2
11	D7000190	HEAD CAP	1	41	13006550	HOSE PLUG	2
12	D7000200	GAS VALVE ASSEMBLY	1	42	13006030	PT SOCKET PLUG	1
13	22402390	O-RING	1	-	D7691000	HEAD CAP SET	-
14	22401370	O-RING	1	-	D7691100	CYLINDER SET	-
15	D7000210	MAIN VALVE CASE	1	-	D7691500	SPARE SEAL KIT	-
16	D7000220	MAIN VALVE CAP	1	-	D5698000	N ₂ GAS CHARGING KIT	-
17	D7000230	MAIN VALVE	1		D7691400	TENSION BOLT SET	-
18	13008850	O-RING ADAPTER	2	MEMO			
19	22402110	O-RING	2				
20	13007130	UNION CAP	2				
21	13007810	GREASE NIPPLE	1				
22	D7000240	STOP PIN(A)	3				
23	D7000250	BOTTOM NUT	4				

■ HK80 SPARE SEAL KIT

No.	Item No.	Part No.	Part Name	Q'ty	MEMO
0	0	D7691500	SPARE SEAL KIT	1	
1	10	22401540	O-RING	3	
2	13	22402390	O-RING	1	
3	14	22401370	O-RING	1	
4	19	22402110	O-RING	2	
5	29	22200050	GAS SEAL	1	
6	30	22300040	STEP SEAL	2	
7	31	22000140	BUFFER SEAL	1	
8	32	22003830	U PACKING SEAL	1	
9	33	22002600	DUST SEAL	1	
10	36	22402090	O-RING	4	
11	39	22402070	O-RING	1	

■ HK80 TOOL KIT PART LIST

No.	Part No.	Part Name	Q'ty			Remarks
			Side	Top	Silence	
0	-	TOOL KIT	D7691600	D7101700	D7691800	HK80
1	16503000	TOOL BOX	1	1	1	No 2.
2	16502100	DOUBLE SPANNER	1	1	1	27x30mm
3	16502520	SINGLE SPANNER	1	1	1	36mm
4	16500230	COMBI SPANNER	1	1	1	14mm
5	16500720	HAMMER RING WRENCH	1	1	1	55mm
6	16500690	HAMMER RING WRENCH	-	1	1	36mm
7	16503090	HANDLE RETAINER PIN	1	1	1	M12
8	16501140	L-WRENCH	1	1	1	5mm
9	16501170	L-WRENCH	1	1	1	10mm

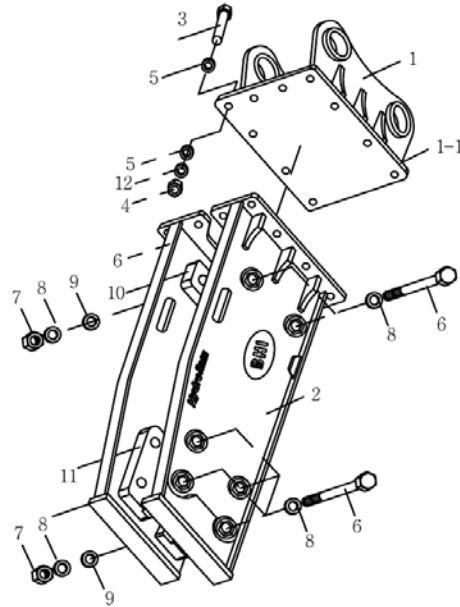
■ HK80 N2 GAS CHARGING KIT

No.	Part No.	Part Name	Q'ty	MEMO
0	D5698000	N ₂ GAS CHARGING KIT	1	
1	13105900	N ₂ GAS 3-WAY VALVE ASSEMBLY	1	
2	16802000	N ₂ HOSE	1	
3	13105910	N ₂ COUPLING KIT	1	
4	13105930	N ₂ GAS CYLINDER	1	

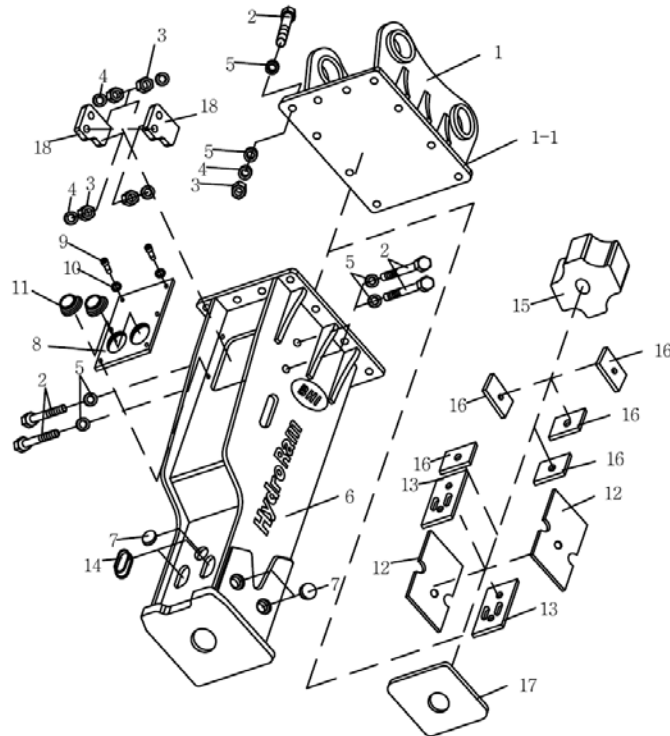
HK80 BRACKET PART LIST

HK80

TOP BRACKET



SILENT BRACKET



■ HK80 BRACKET PART LIST

■ HK80 TOP BRACKET				■ HK80S SILENT BRACKET			
No.	Part No.	Part Name	Q'ty	No.	Part No.	Part Name	Q'ty
0	D7200000	TOP BRACKET ASSEMBLY	1	0	D7300000	SILENCE BRACKET ASSEMBLY	1
1	D7200080	REAR BRACKET	1	1	D7300050	REAR BRACKET	1
2	D7200090	TOP BRACKET	1	2	20008640	HEX HEAD BOLT	16
3	20008640	HEX HEAD BOLT	12	3	12000890	HEX HEAD NUT	16
4	12000890	HEX HEAD NUT	12	4	13001130	SPRING WASHER	16
5	13000130	FLAT WASHER	24	5	13000130	FLAT WASHER	32
6	20036050	HEX HEAD BOLT	6	6	D7300260	SILENCE BRACKET BODY	1
7	12006030	CAP NUT	6	7	D9300070	RUBBER CAP-S	5
8	13000150	FLAT WASHER	6	8	D7300100	COVER PLATE	1
9	13001160	SPRING WASHER	6	9	20211390	HEX SOCKET HEAD BOLT	6
10	D7100090	GUIDE BLOCK(A)	2	10	13000070	FLAT WASHER	6
11	D7100100	GUIDE BLOCK(B)	2	11	13008010	HOSE PROTECT	2
12	13001130	SPRING WASHER	12	12	D7300280	LOW SIDE WEAR PLATE	2
-	D7693000	SET BOLT SET	-	13	D7300290	LOW FRONT WEAR PLATE	2
-	D7695100	DECAL KIT	-	14	D7300160	RUBBER CAP-F	4
MEMO				15	D7300080	UPPER CUSHION	1
				16	D7300320	SIDE WEAR PLATE	5
				17	D7300090	DOWN CUSHION	1
				18	D7300310	STOPPER	2
				-	D7695200	DECAL KIT	-
				MEMO			

MEMO

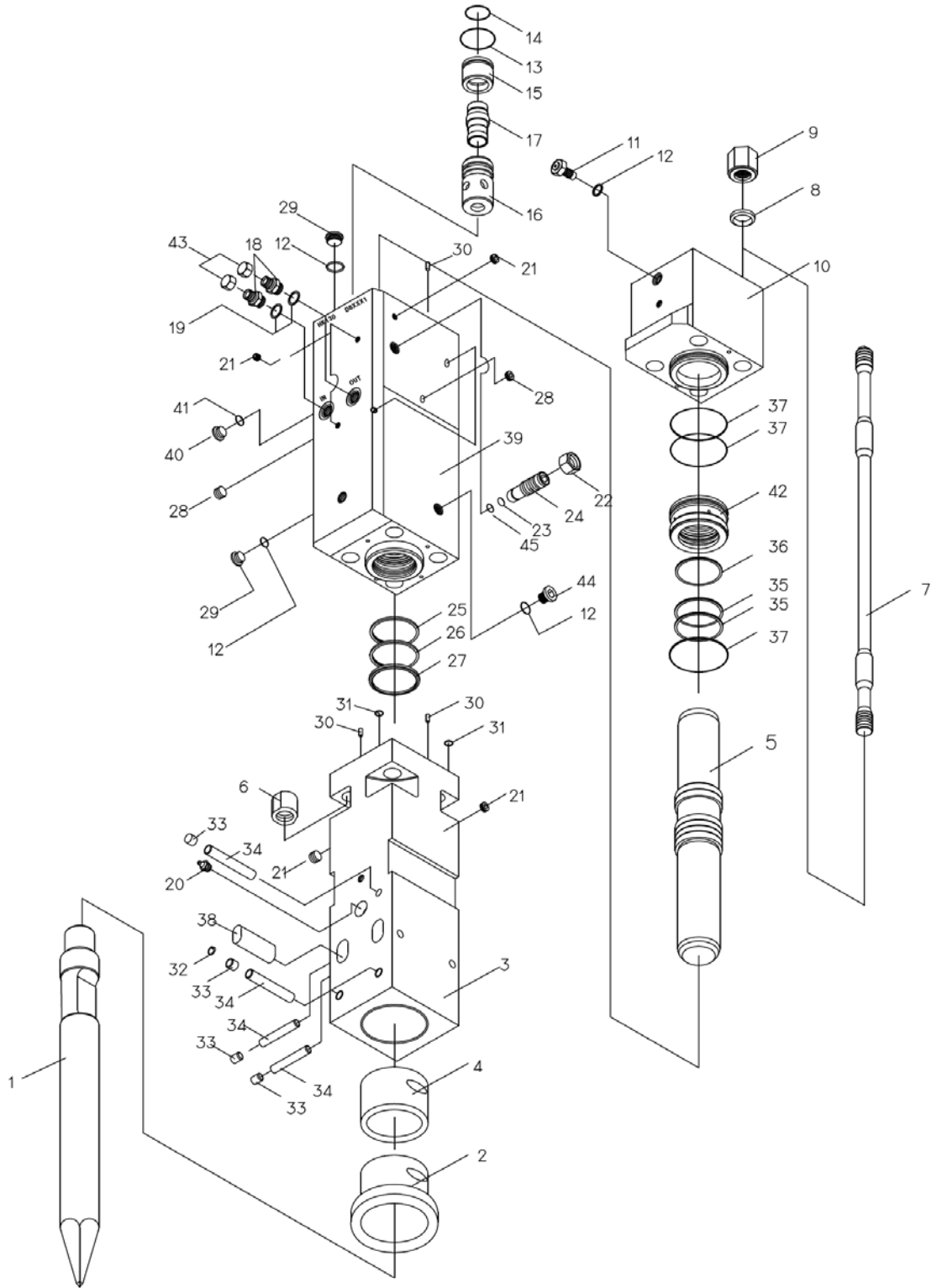


HydroRam Hydraulic Hammer

HK130 Parts List

HK130 POWER CELL PART LIST

HK130 POWER CELL



■ HK130 POWER CELL PART LIST

No	Part No	Part Name	Q'ty	No	Part No	Part Name	Q'ty
0	D8000000	POWER CELL ASSEMBLY	1	24	D8000270	ADJUSTER VALVE	1
1	D8000050	TOOL(MOIL)	1	25	22000180	BUFFER SEAL	1
1-1	D8000060	TOOL(CONE)	-	26	22003900	U PACKING SEAL	1
1-2	D8000070	TOOL(FLAT)	-	27	22002650	DUST SEAL	1
1-3	D8000080	TOOL(V-WEDGE)	-	28	13006010	PT SOCKET PLUG	3
1-4	D8000090	TOOL(H-WEDGE)	-	29	DA000400	PF1/2 SOCKET PLUG	4
1-5	D8000100	TOOL(SPADE H-WEDGE)	-	30	D9000050	PIN	2
1-6	D8000110	TOOL(SPADE V-WEDGE)	-	31	22401980	O-RING	2
2	D8000180	TOOL HOLDER BUSHING	1	32	13004130	SNAP RING	2
3	D8000190	TOOL HOLDER	1	33	13007320	RUBBER PLUG	5
4	D8000200	ROUND BUSHING	1	34	D8000290	STOP PIN(A)	5
5	D8000210	PISTON	1	35	22300050	STEP SEAL	2
6	D8000360	BOTTOM NUT	4	36	22200060	GAS SEAL	1
7	D8000340	TENSION BOLT	4	37	22400780	O-RING	4
8	D8000430	TENSION BOLT WASHER	4	38	D8000300	RETAINER PIN	2
9	D8000350	TOP NUT	4	39	D8000310	CYLINDER	1
10	D8000230	HEAD CAP	1	40	D7000360	M24 SOCKET PLUG	1
11	D7000200	GAS VALVE ASSEMBLY	1	41	22402090	O-RING	1
12	22402070	O-RING	6	42	D8000330	CYLINDER BUSHING	1
13	22401390	O-RING	1	43	13007150	UNION CAP	2
14	22401360	O-RING	1	44	DA000410	ORIFICE SOCKET PLUG	1
15	D8000240	MAIN VALVE CAP	1	45	22405650	BACK UP RING	1
16	D8000250	MAIN VALVE CASE	1	*46	13006570	HOSE PLUG	2
17	D8000260	MAIN VALVE	1	*47	16800080	SPRING HOSE	2
18	13008870	O-RING ADAPTER	2	-	D8691000	HEAD CAP SET	-
19	22402160	O-RING	2	-	D8691100	CYLINDER SET	-
20	13007810	GREASE NIPPLE	1	-	D8691200	TOOL HOLDER SET	-
21	13006030	PT SOCKET PLUG	5	-	D8691400	TENSION BOLT SET	-
22	12002440	HEX HEAD NUT	1	-	D8691500	SPARE SEAL KIT	-
23	22402060	O-RING	1	-	DA698000	N ₂ GAS CHARGING KIT	-

■ HK130 SPARE SEAL KIT

No.	Item No.	Part No.	Part Name	Q'ty	No.	Item No.	Part No.	Part Name	Q'ty
0	0	D8691500	SPARE SEAL KIT	1	12	37	22400780	O-RING	4
1	12	22402070	O-RING	6	13	41	22402090	O-RING	1
2	13	22401390	O-RING	1	14	45	22405650	BACK UP RING	1
3	14	22401360	O-RING	1	MEMO				
4	19	22402160	O-RING	2					
5	23	22402060	O-RING	1					
6	25	22000180	BUFFER SEAL	1					
7	26	22003900	U PACKING SEAL	1					
8	27	22002650	DUST SEAL	1					
9	31	22401980	O-RING	2					
10	35	22300050	STEP SEAL	2					
11	36	22200060	GAS SEAL	1					

■ HK130 TOOL KIT PART LIST

No.	Part No.	Part Name	Q'ty			Remarks
			Side	Top	Silence	
0	-	TOOL KIT	D8691600	D8691700	D8691800	HK130
1	16502990	TOOL BOX	1	1	1	No 1.
2	16501140	L-WRENCH	1	1	1	5mm
3	16501170	L-WRENCH	1	1	1	10mm
4	16500230	COMBI SPANNER	1	1	1	14mm
5	16502510	SINGLE SPANNER	1	1	1	32mm
6	16500710	SINGLE SPANNER	1	1	1	41mm
7	16502100	DOUBLE SPANNER	1	1	1	27x30mm
8	16500730	HAMMER RING WRENCH	1	1	1	55mm
9	16500710	HAMMER RING WRENCH	-	1	1	46mm
10	16503090	HANDLE RETAINER PIN	1	1	1	M12

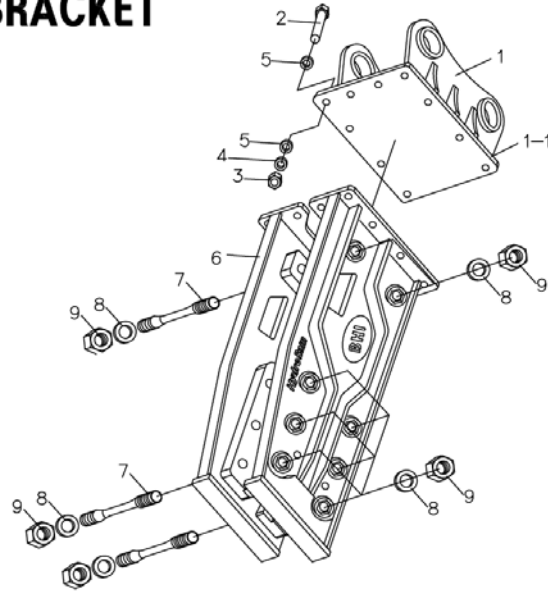
■ HK130 N2 GAS CHARGING KIT

No.	Part No.	Part Name	Q'ty	MEMO
0	DA698000	N ₂ GAS CHARGING KIT	1	
1	13105900	N ₂ GAS 3-WAY VALVE ASSEMBLY	1	
2	16802000	N ₂ HOSE	1	
3	13105910	N ₂ COUPLING KIT	1	
4	13105920	N ₂ GAS CYLINDER	1	

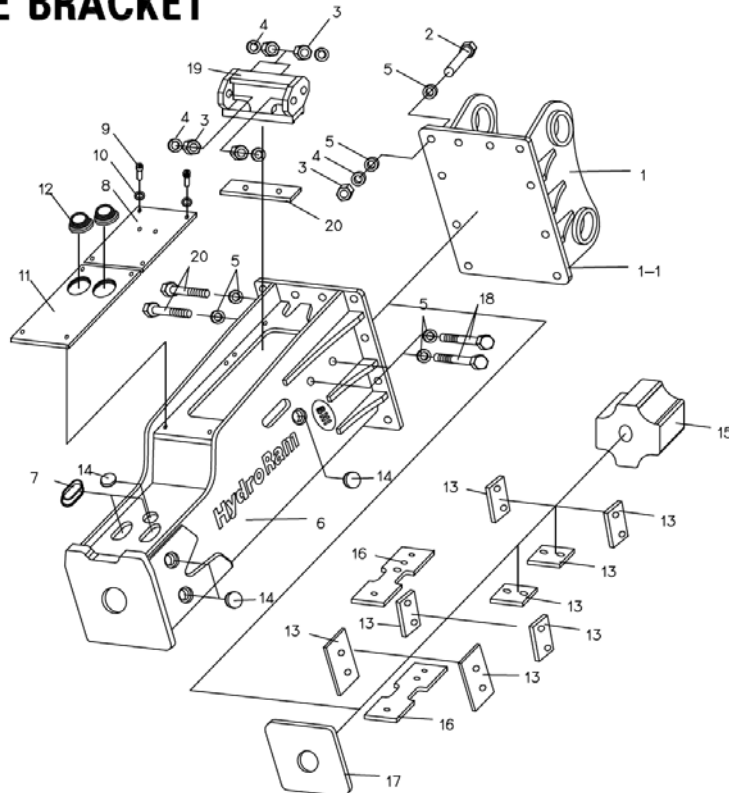
■ HK130 BRACKET PART LIST

HK130

HK130 TOP BRACKET



HK130S SILENCE BRACKET



■ HK130 BRACKET PART LIST

■ HK130 TOP BRACKET				■ HK130S SILENT BRACKET			
No.	Part No.	Part Name	Q'ty	No.	Part No.	Part Name	Q'ty
0	D8200000	TOP BRACKET ASSEMBLY	1	0	D8300000	SILENCE BRACKET ASSEMBLY	1
1	DA200080	REAR BRACKET	1	1	DA300970	REAR BRACKET	1
2	20009410	HEX HEAD BOLT	12	2	20009410	HEX HEAD BOLT	12
3	12001500	HEX HEAD NUT	12	3	12001500	HEX HEAD NUT	16
4	13001150	SPRING WASHER	12	4	13001150	SPRING WASHER	16
5	13000140	FLAT WASHER	24	5	13000140	FLAT WASHER	16
6	D8200050	TOP BRACKET	1	6	D8300010	SILENCE BRACKET BODY	1
7	D8200080	SET BOLT	8	7	D8300130	RUBBER CAP-F	4
8	D8200100	SET BOLT WASHER	16	8	D8300070	UPPER COVER	1
9	D8200090	SET BOLT NUT	16	9	20201760	HEX SOCKET HEAD BOLT	8
10	D8693000	SET BOLT SET	-	10	13000290	FLAT WASHER	8
11	D8695100	DECAL KIT	-	11	D8300060	DOWN COVER	1
MEMO				12	13008020	HOSE PROTECT	2
				13	D8300040	SIDE WEAR PLATE	8
				14	DA300140	RUBBER CAP-S	6
				15	D7300080	UPPER CUSHION	1
				16	D7300030	FRONT WEAR PLATE	2
				17	D8300090	DOWN CUSHION	1
				18	20009430	HEX HEAD BOLT	4
				19	D8300080	SUPPORT MIDDLE BLOCK	1
				20	D8300050	SUPPORT WEAR PLATE	1
				-	D8695200	DECAL KIT	-
				MEMO			

MEMO

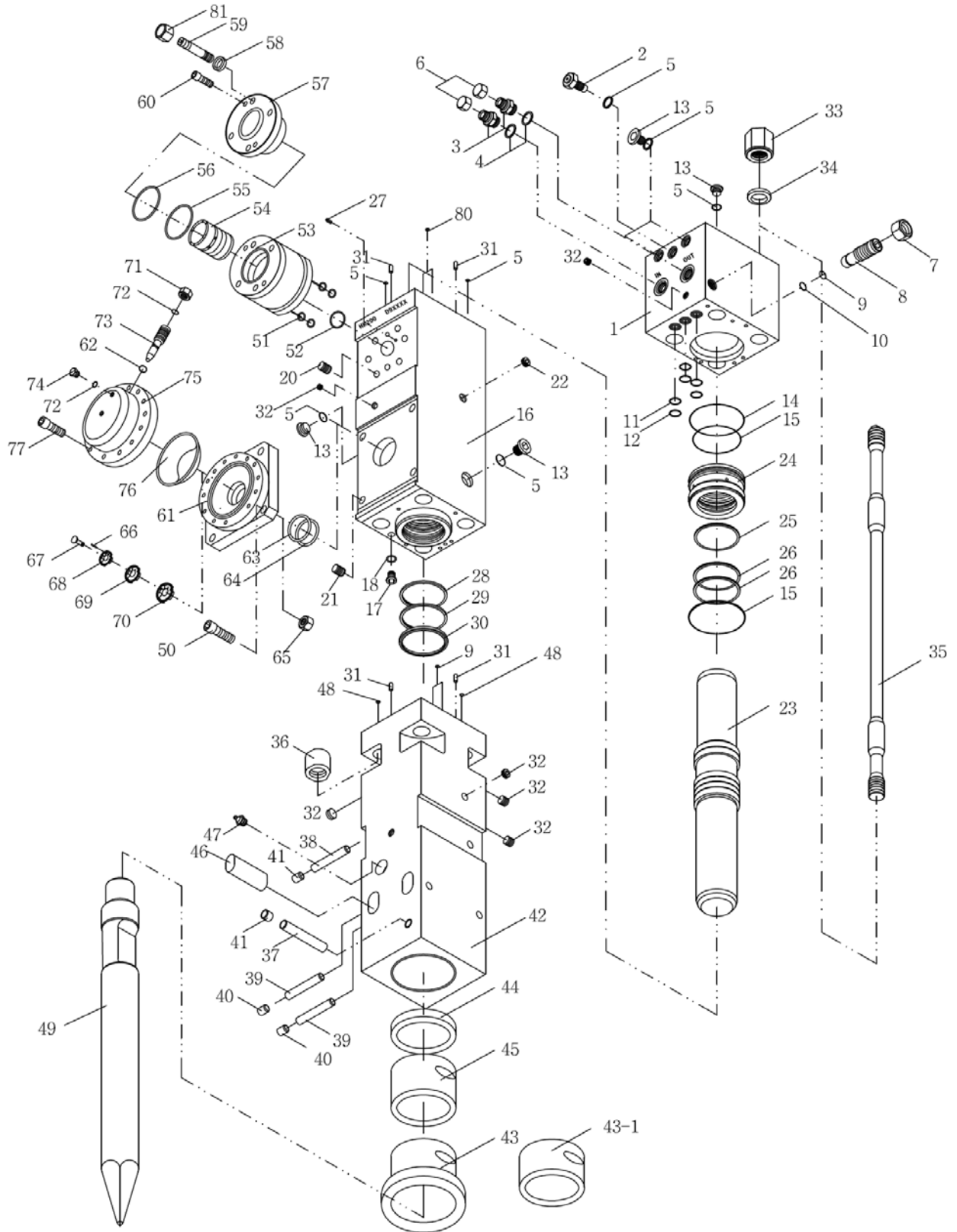


BHI HydroRam Hydraulic Hammer

HK200 Parts List

HK200 POWER CELL

HK200 POWER CELL



■ HK200 POWER CELL

No.	Part No.	Part Name	Q'ty	No.	Part No.	Part Name	Q'ty
0	D9000000	POWER CELL ASSEMBLY	1	30	22002690	DUST SEAL	1
1	D9000540	HEAD CAP	1	31	D9000050	PIN	4
2	D7000200	GAS VALVE ASSEMBLY	1	32	13006030	PT SOCKET PLUG	5
3	13008870	O-RING ADAPTER	2	33	D9000730	TOP NUT	4
4	22402160	O-RING	2	34	D9000740	TOP NUT WASHER	4
5	22402070	O-RING	6	35	D9000750	TENSION BOLT	4
6	13007150	UNION CAP	2	36	D9000760	BOTTOM NUT	4
7	12002410	HEX HEAD NUT	1	37	D9000400	STOP PIN(A)	1
8	D9000660	ADJUSTER VALVE	1	38	D9000440	STOP PIN(B)	1
9	22402060	O-RING	3	39	D9000360	STOP PIN(C)	2
10	22405650	BACK UP RING	1	40	13007350	RUBBER PLUG	2
11	22409290	BACK UP RING	3	41	13007320	RUBBER PLUG	2
12	22402230	O-RING	3	42	D9000550	TOOL HOLDER	1
13	DA000400	PF1/2 SOCKET PLUG	4	43	D9000200	TOOL HOLDER BUSHING	1
				43-1	D9000590	TOOL HOLDER BUSHING(S)	1
14	22401670	O-RING	1	44	D9000310	BUFFER RING	1
15	22401600	O-RING	2	45	D9000420	ROUND BUSHING	1
16	D9000530	CYLINDER	1	46	D9000300	RETAINER PIN	2
17	DA000240	PF3/4 SOCKET PLUG	1	47	13007810	GREASE NIPPLE	1
18	22402110	O-RING	1	48	22401980	O-RING	2
19	DA000410	ORIFICE SOCKET PLUG	1	49	D9000070	TOOL(MOIL TYPE)	1
20	13102700	HELI COIL SPRING	4	49-1	D9000100	TOOL(H-WEDGE)	0
21	13102810	HELI COIL SPRING	4	49-2	D9000090	TOOL(V-WEDGE)	0
22	13006010	PT SOCKET PLUG	1	49-3	D9000080	TOOL(CONE)	0
23	D9000220	PISTON	1	49-4	D9000110	TOOL(FLAT)	0
24	D9000230	CYLINDER BUSHING	1	50	20213600	HEX HEAD SOCKET BOLT	4
25	22200070	GAS SEAL	1	51	22501660	U SEAL	4
26	22300060	STEP SEAL	2	52	22402350	O-RING	1
27	13116010	SPRING PIN	1	53	D9000320	MAIN VALVE CASE	1
28	22000230	BUFFER SEAL	1	54	D9000340	MAIN VALVE	1
29	22003940	U PACKING SEAL	1	55	22401420	O-RING	1

■ HK200 POWER CELL

No.	Part No.	Part Name	Q'ty	No.	Part No.	Part Name	Q'ty
56	22401440	O-RING	1	-	D9691410	TENSION BOLT SET	-
57	D9000330	MAIN VALVE CAP	1	-	D9691500	SPARE SEAL KIT	-
58	D9000600	MAIN VALVE WASHER	4	-	D9691300	MAIN VALVE SET	-
59	20213070	HEX SOCKET HEAD BOLT	4	-	DG000350	ACCUMULATOR ASSEMBLY	-
60	20211390	HEX SOCKET HEAD BOLT	2	-	DA698000	N ₂ GAS CHARGING KIT	-
61	DG000220	ACCUMULATOR BODY	1	-	DG000350	ACCUMULATOR ASSEMBLY	
62	22401930	O-RING	1	MEMO			
63	22500260	BACK UP RING	1				
64	22401430	O-RING	1				
65	DA000440	LOCK NUT	1				
66	DG000490	HOLDER PIN	1				
67	DG000450	ORIFICE(A)	1				
68	DG000460	ORIFICE(B)	1				
69	DG000470	ORIFICE(C)	1				
70	DG000480	ORIFICE(D)	1				
71	DA000510	O-RING CAP	1				
72	22402040	O-RING	2				
73	DC000330	CHARGING VALVE	1				
74	DC000320	O-RING PLUG	1				
75	DG000210	ACCUMULATOR COVER	1				
76	DG000410	DIAPHRAGM	1				
77	20215100	HEX SOCKET HEAD BOLT	12				
*78	16800190	SPRING HOSE	2				
*79	13006570	HEX HEAD PLUG(PF)	2				
80	22402020	O-RING	2				
81	D9000790	MAIN VALVE NUT	4				
-	D9691000	HEAD CAP SET	-				
-	D9691100	CYLINDER SET	-				
-	D9691200	TOOL HOLDER SET	-				

■ HK200 SPARE SEAL KIT

No.	Item No.	Part No.	Part Name	Q'ty	MEMO
0	-	D9691500	SPARE SEAL KIT	1	
1	4	22402160	O-RING	2	
2	5	22402070	O-RING	6	
3	9	22402060	O-RING	1	
4	10	22405650	BACK UP RING	1	
5	11	22409290	BACK UP RING	3	
6	12	22402230	O-RING	3	
7	14	22401670	O-RING	1	
8	15	22401600	O-RING	2	
9	18	22402110	O-RING	1	
10	25	22200070	GAS SEAL	1	
11	26	22300060	STEP SEAL	2	
12	28	22000230	BUFFER SEAL	1	
13	29	22003940	U PACKING SEAL	1	
14	30	22002690	DUST SEAL	1	
15	48	22401980	O-RING	2	
16	51	22501660	U SEAL	4	
17	52	22402350	O-RING	1	
18	55	22401420	O-RING	1	
19	56	22401440	O-RING	1	
20	62	22401930	O-RING	1	
21	63	22500260	BACK UP RING	1	
22	64	22401430	O-RING	1	
23	72	22402040	O-RING	2	
24	80	22402020	O-RING	2	

■ HK200 TOOL KIT

No.	Part No.	Part Name	Part Code			Remarks
			Side	Top	Silence	
0	-	HK200 TOOL KIT	D9691600	D9691700	D9691800	HK200
1	16502990	TOOL BOX	1	1	1	No1.
2	16500260	COMBI SPANNER	1	1	1	14mm
3	16502510	SINGLE SPANNER	1	1	1	32mm
4	16502100	DOUBLE SPANNER	1	1	1	27x30mm
5	16502530	SINGLE SPANNER	1	1	1	41mm
6	16501140	L WRENCH	1	1	1	5mm
7	16501170	L WRENCH	1	1	1	10mm
8	16501190	L WRENCH	1	1	1	14mm
9	16501200	L WRENCH	1	1	1	17mm
10	16501210	L WRENCH	1	1	1	19mm
11	16500710	HAMMER RING WRENCH	-	1	1	46mm
12	16500760	HAMMER RING WRENCH	1	1	-	70mm
13	16500770	HAMMER RING WRENCH	1	1	-	75mm
14	16503090	HANDLE RETAINER PIN	1	1	1	M12

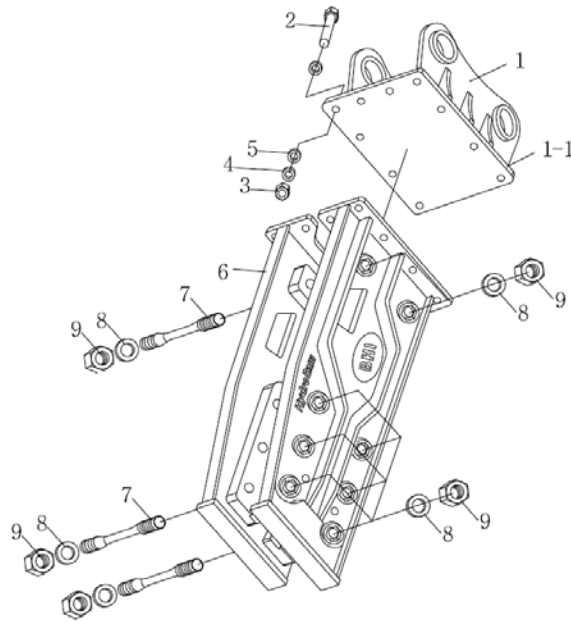
■ HK200 N2 GAS CHARGING KIT

No.	Part No.	Part Name	Q'ty	MEMO
0	DA698000	N ₂ GAS CHARGING KIT	1	
1	13105900	N ₂ GAS 3-WAY VALVE ASSEMBLY	1	
2	16802000	N ₂ HOSE	1	
3	13105910	N ₂ COUPLING KIT	1	
4	13105920	N ₂ GAS CYLINDER	1	

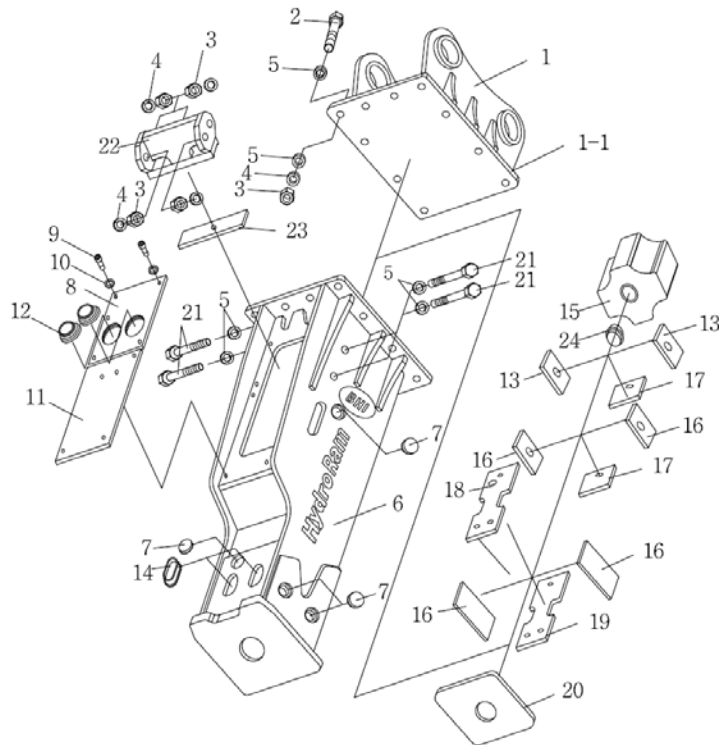
■ HK200 BRACKET

HK200

TOP BRACKET



SILENCE BRACKET



■HK200 BRACKET PART LIST

■HK200 TOP BRACKET				■HK200S SILENCE BRACKET			
No.	Part No.	Part Name	Q'ty	No.	Part No.	Part Name	Q'ty
0	D9200000	TOP BRACKET ASSEMBLY	1	0	D9330000	SILENT BRACKET ASSEMBLY	1
1	DA200080	REAR BRACKET	1	1	DA300970	REAR BRACKET	1
2	20009410	HEX HEAD BOLT	12	2	20009410	HEX HEAD BOLT	12
3	12001500	HEX HEAD NUT	12	3	12001500	HEX HEAD NUT	16
4	13001150	SPRING WASHER	12	4	13001150	SPRING WASHER	16
5	13000140	FLAT WASHER	24	5	13000140	FLAT WASHER	32
6	D9200010	TOP BRACKET	1	6	D9330010	SILENCE BRACKET BODY	1
7	D9100330	SET BOLT	8	7	D9300070	RUBBER CAP-S	6
8	DG200040	SET BOLT WASHER	16	8	D9330020	UPPER COVER	1
9	DG200030	SET BOLT NUT	16	9	20211760	HEX SOCKET HEAD BOLT	8
-	D9693010	SET BOLT SET	-	10	13000080	FLAT WASHER	8
-	D9695100	DECAL KIT	-	11	D9330030	DOWN COVER	1
MEMO				12	13008020	HOSE PROTECT	2
				13	D9330050	SIDE WEAR PLATE(1)	2
				14	D8300130	RUBBER CAP-F	4
				15	D9300080	UPPER CUSHION	1
				16	D9330080	SIDE WEAR PLATE(2)	4
				17	D9330040	FRONT WEAR PLATE	2
				18	D9330060	LOW FRONT WEAR PLATE(1)	1
				19	D9330070	LOW FRONT WEAR PLATE(2)	1
				20	D9330100	DOWN CUSHION	1
				21	20009430	HEX HEAD BOLT	4
				22	D9330090	SUPPORT MIDDLE BLOCK	1
				23	DA300890	SUPPORT WEAR PLATE	1
				24	D9300100	MC STOPPER	1
				-	D9695200	DECAL KIT	-
				MEMO			

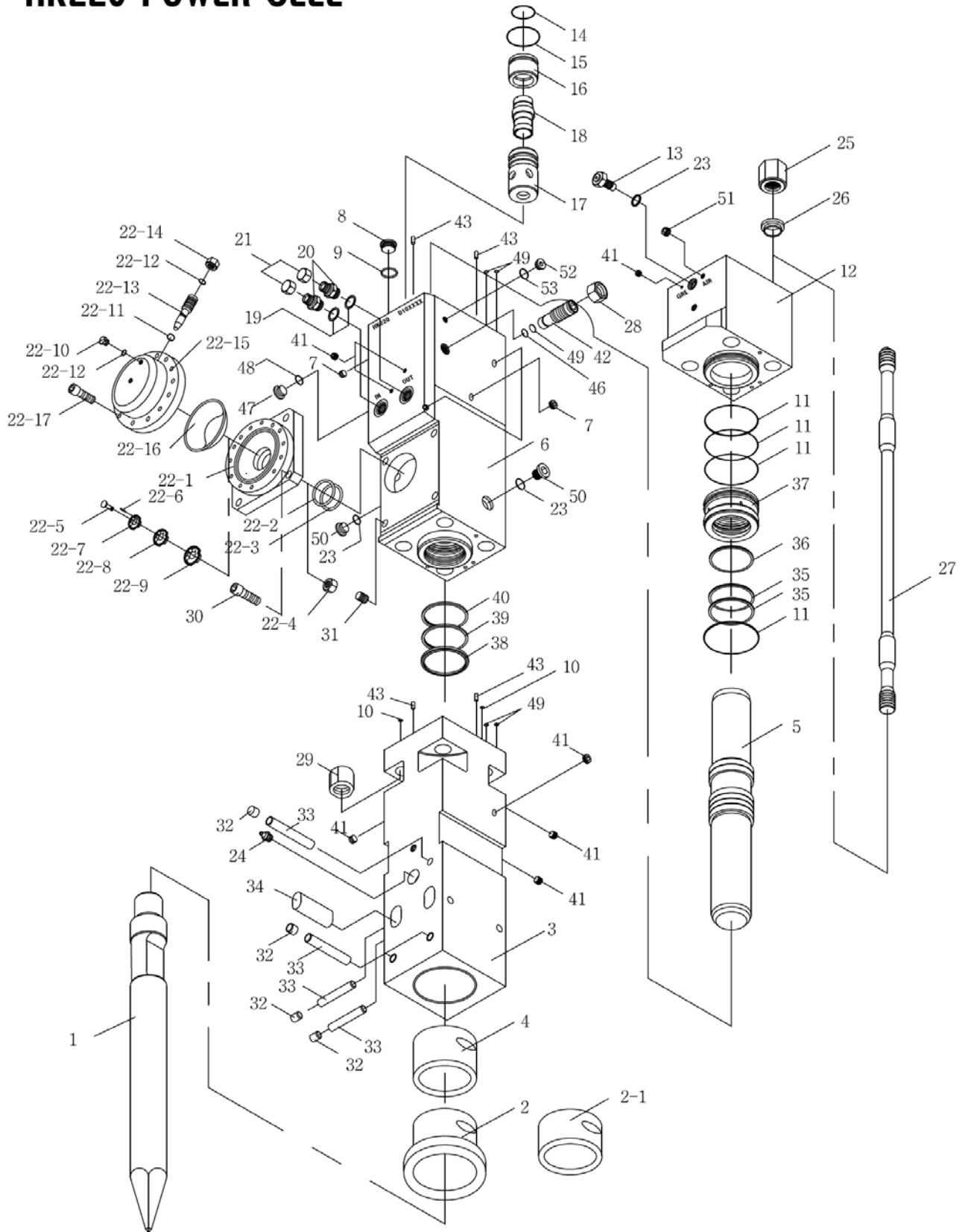


BHI HydroRam Hydraulic Hammer

HK220 Parts List

■ HK220 POWER CELL

HK220 POWER CELL



■ HK220 POWER CELL

No.	Part No.	Part Name	Q'ty	No.	Part No.	Part Name	Q'ty
0	DA000920	POWER CELL ASSEMBLY	1	22-3	22401430	O-RING	1
1	DA000050	TOOL (MOIL TYPE)	1	22-4	DA000440	LOCK NUT	1
1-1	DA000060	TOOL (CONE TYPE)	0	22-5	DG000450	ORIFICE(A)	1
1-2	DA000070	TOOL (V-WEDGE TYPE)	0	22-6	DG000490	HOLDER PIN	1
1-3	DA000080	TOOL (H-WEDGE TYPE)	0	22-7	DG000460	ORIFICE(B)	1
1-4	DA000090	TOOL (FLAT TYPE)	0	22-8	DG000470	ORIFICE(C)	1
2	DA000170	TOOL HOLDER BUSHING	1	22-9	DG000480	ORIFICE(D)	1
2-1	DA000550	TOOL HOLDER BUSHING (SILENT TYPE)	1	22-10	DA000510	O-RING CAP	1
3	DA000780	TOOL HOLDER	1	22-11	22401930	O-RING	1
4	DA000190	ROUND BUSHING	1	22-12	22402040	O-RING	2
5	DA000200	PISTON	1	22-13	DC000330	CHARGING VALVE	1
6	DA000910	CYLINDER	1	22-14	DC000320	O-RING PLUG	1
7	13006010	PT SOCKET PLUG	4	22-15	DG000210	ACCUMULATOR COVER	1
8	DA000240	PF3/4 SOCKET PLUG	3	22-16	DG000410	DIAPHRAGM	1
9	22402110	O-RING	3	22-17	20215100	HEX SOCKET HEAD BOLT	12
10	22401980	O-RING	2	23	22402070	O-RING	3
11	22401600	O-RING	4	24	13007810	GREASE NIPPLE	1
12	DA000800	HEAD CAP	1	25	DA000830	TOP NUT	4
13	D7000200	GAS VALVE ASSEMBLY	1	26	DA000840	TOP NUT WASHER	4
14	22401360	O-RING	1	27	DA000820	TENSION BOLT	4
15	22401410	O-RING	1	28	12002410	HEX HEAD NUT	1
16	DA000250	MAIN VALVE CAP	1	29	DA000850	BOTTOM NUT	4
17	DA000260	MAIN VALVE CASE	1	30	20213600	HEX SOCKET HEAD BOLT	4
18	DA000270	MAIN VALVE	1	31	13102800	HELI COIL SPRING	4
19	22402160	O-RING	2	32	13007320	RUBBER PLUG	5
20	13008870	O-RING ADAPTER	2	33	DA000360	STOP PIN	5
21	13007150	UNION CAP	2	34	DA000370	RETAINER PIN	2
22	DG000350	ACCUMULATOR ASSEMBLY	1	35	22300070	STEP SEAL	2
22-1	DG000220	ACCUMULATOR BODY	1	36	22200080	GAS SEAL	1
22-2	22500260	BACK UP RING	1	37	DA000380	CYLINDER BUSHING	1

■ HK220 POWER CELL

No.	Part No.	Part Name	Q'ty	MEMO
38	22002690	DUST SEAL	1	
39	22003940	U-PACKING SEAL	1	
40	22000230	BUFFER SEAL	1	
41	13006030	PT SOCKET PLUG	7	
42	DA000860	ADJUSTER VALVE	1	
43	D9000050	PIN	4	
44	16800190	SPRING HOSE	2	
45	13006570	HEX HEAD PLUG(PF)	2	
46	22405650	BACK UP RING	1	
47	DD000230	M32 SOCKET PLUG	1	
48	22402150	O-RING	1	
49	22402060	O-RING	5	
50	DA000400	PF1/2 SOCKET PLUG	2	
51	13006020	PT1/2 SOCKET PLUG	1	
52	DH000380	PF1/4 SOCKET PLUG	1	
53	22402000	O-RING	1	
-	-	-	-	
-	DA691000	HEAD CAP SET	-	
-	DA691100	CYLINDER SET	-	
-	DA691200	TOOL HOLDER SET	-	
-	DA691400	TENSION BOLT SET	-	
-	DA691510	SPARE SEAL KIT	-	
-	DG000350	ACCUMULATOR ASSEMBLY	-	
-	DA698000	N ₂ GAS CHARGING KIT	-	
MEMO				

■ HK220 SPARE SEAL KIT

No.	Item No.	Part No.	Part Name	Q'ty	MEMO
0	0	DA691510	SPARE SEAL KIT	1	
1	9	22402110	O-RING	3	
2	10	22401980	O-RING	2	
3	11	22401600	O-RING	4	
4	14	22401360	O-RING	1	
5	15	22401410	O-RING	1	
6	19	22402160	O-RING	2	
7	22-2	22500260	BACK UP RING	1	
8	22-3	22401430	O-RING	1	
9	22-11	22401930	O-RING	1	
10	22-12	22402040	O-RING	2	
11	23	22402060	O-RING	3	
12	35	22300070	STEP SEAL	2	
13	36	22200080	GAS SEAL	1	
14	38	22002690	DUST SEAL	1	
15	39	22003940	U-PACKING SEAL	1	
16	40	22000230	BUFFER SEAL	1	
17	46	22405650	BACK UP RING	1	
18	48	22402150	O-RING	1	
19	49	22402060	O-RING	5	
20	53	22402000	O-RING	1	

■ HK220 TOOL KIT

No.	Part No.	Part Name	Q'ty			Remarks
			Side	Top	Silence	
0	-	TOOL KIT	DA691600	DA691710	DA691810	HK220
1	16502990	TOOL BOX	1	1	1	No1.
2	16500260	COMBI SPANNER	1	1	1	14mm
3	16502510	SINGLE SPANNER	1	1	1	32mm
4	16502530	SINGLE SPANNER	1	1	1	41mm
5	16502100	DOUBLE SPANNER	1	1	1	27X30mm
6	16501140	L WRENCH	1	1	1	5mm
7	16501170	L WRENCH	1	1	1	10mm
8	16501190	L WRENCH	1	1	1	14mm
9	16501210	L WRENCH	1	1	1	19mm
10	16500760	HAMMER RING WRENCH	1	1	1	70mm
11	16503090	HANDLE RETAINER PIN	1	1	1	M12
12	16500710	HAMMER RING WRENCH	-	1	1	46mm
13	16500770	HAMMER RING WRENCH	1	1	-	75mm

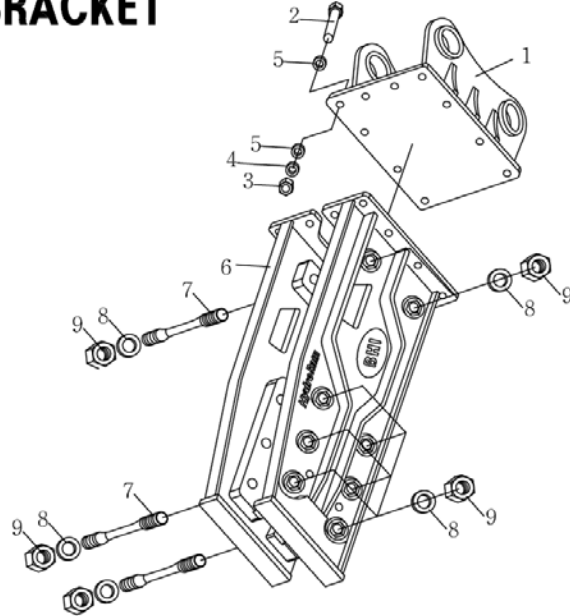
■ HK220 N2 GAS CHARGING KIT

No.	Part No.	Part Name	Q'ty	MEMO
0	DA698000	N ₂ GAS CHARGING KIT	1	
1	13105900	N ₂ GAS 3-WAY VALVE ASSEMBLY	1	
2	16802000	N ₂ HOSE	1	
3	13105910	N ₂ COUPLING KIT	1	
4	13105920	N ₂ GAS CYLINDER	1	

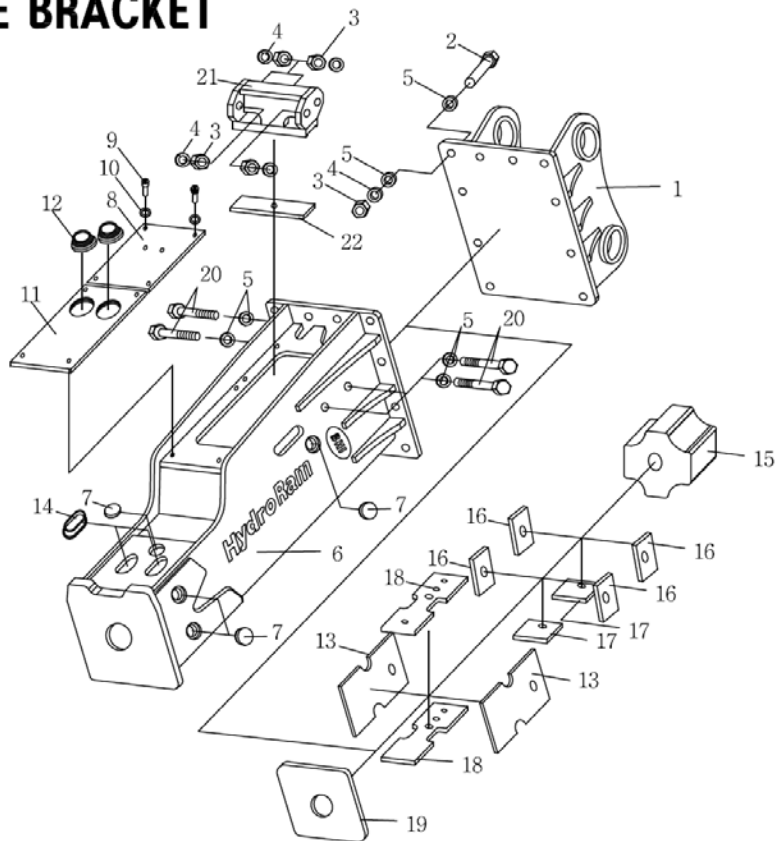
■ HK220 BRACKET

HK220

HK220 TOP BRACKET



HK220S SILENCE BRACKET



■ HK220 BRACKET

■HK220 TOP BRACKET				■HK220S SILENCE BRACKET			
No.	Part No.	Part Name	Q'ty	No.	Part No.	Part Name	Q'ty
0	DA200000	TOP BRACKET ASSEMBLY	1	0	DA300870	SILENT BRACKET ASSEMBLY	1
1	DA200080	REAR BRACKET	1	1	DA300970	REAR BRACKET	1
2	20009410	HEX HEAD BOLT	12	2	20009410	HEX HEAD BOLT	12
3	12001500	HEX HEAD NUT	12	3	12001500	HEX HEAD NUT	16
4	13001150	SPRING WASHER	12	4	13001150	SPRING WASHER	16
5	13000140	FLAT WASHER	24	5	13000140	FLAT WASHER	32
6	DA200130	TOP BRACKET	1	6	DA300880	SILENCE BRACKET BODY	1
7	DA200140	SET BOLT	8	7	D9300070	RUBBER CAP-S	6
8	DG200040	SET BOLT WASHER	16	8	DA300950	UPPER COVER	1
9	DG200030	SET BOLT NUT	16	9	20211760	HEX SOCKET HEAD BOLT	8
-	DA693000	SET BOLT SET	-	10	13000080	FLAT WASHER	8
-	DA695100	DECAL KIT	-	11	DA300990	DOWN COVER	1
MEMO				12	13008020	HOSE PROTECT	2
				13	DA300930	LOW SIDE WEAR PLATE	2
				14	D8300130	RUBBER CAP-F	4
				15	DA300470	UPPER CUSHION	1
				16	DA300900	SIDE WEAR PLATE	4
				17	DA300910	FRONT WEAR PLATE	2
				18	DA300920	LOW FRONT WEAR PLATE	2
				19	DA300380	DOWN CUSHION	1
				20	20009430	HEX HEAD BOLT	4
				21	DA300960	SUPPORT MIDDLE BLOCK	1
				22	DA300890	SUPPORT WEAR PLATE	1
				-	DA695200	DECAL KIT	-
				MEMO			

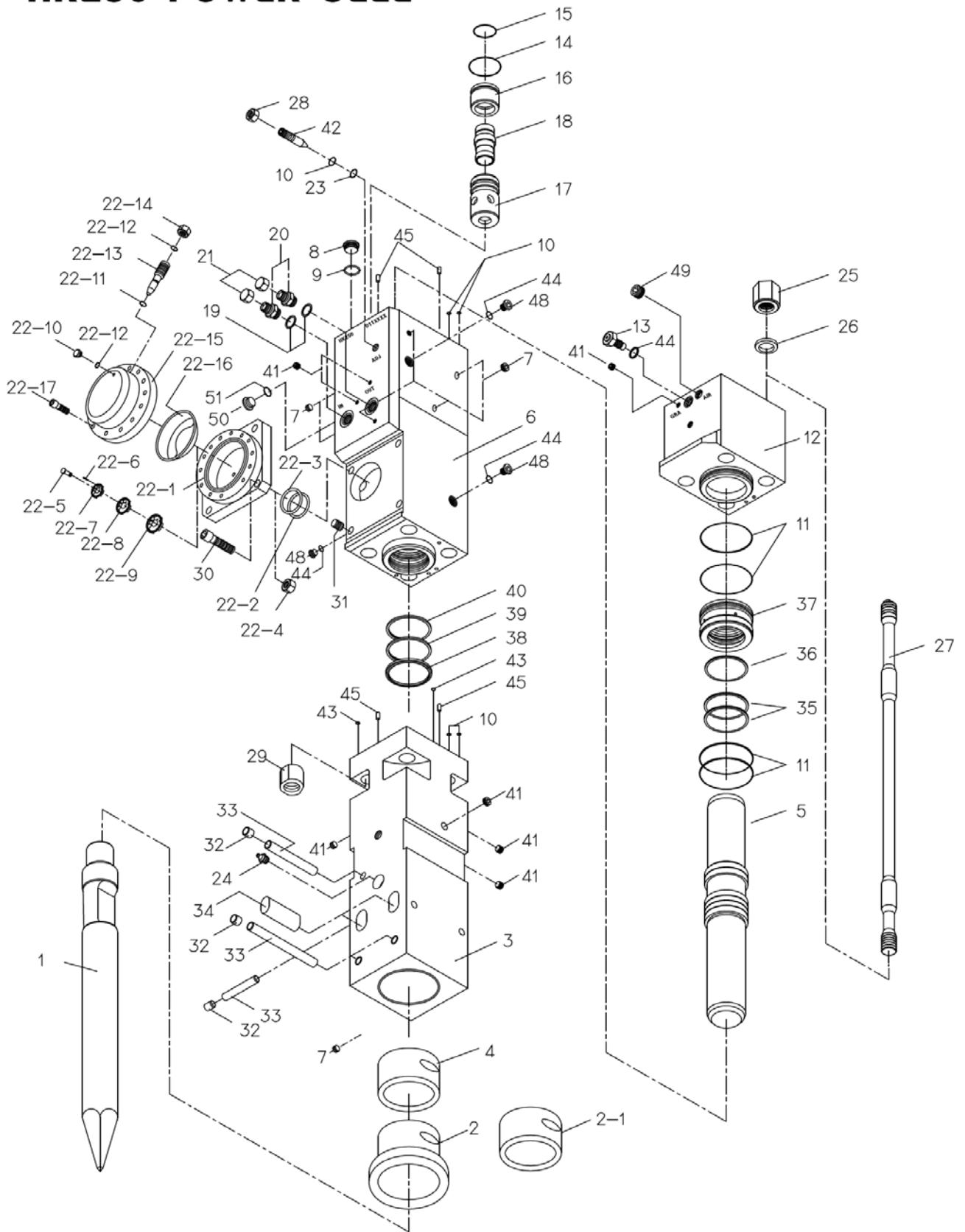


BHI HydroRam Hydraulic Hammer

HK250 Parts List

■ HK250 POWER CELL

HK250 POWER CELL



■ HK250 POWER CELL

No.	Part No.	Part Name	Q'ty	No.	Part No.	Part Name	Q'ty
0	DB000000	POWER CELL ASSEMBLY	1	22-2	22409600	BACK UP RING	1
1	DB000220	TOOL(MOIL)	1	22-3	22402540	O-RING	1
1-1	DB000230	TOOL(CONE)	0	22-4	DA000440	LOCK NUT	1
1-2	DB000240	TOOL(V-WEDGE)	0	22-5	DG000450	ORIFICE(A)	1
1-3	DB000250	TOOL(H-WEDGE)	0	22-6	DG000490	HOLDER PIN	1
1-4	DB000260	TOOL(FLAT)	0	22-7	DG000460	ORIFICE(B)	1
2	DB000130	TOOL HOLDER BUSHING	1	22-8	DG000470	ORIFICE(C)	1
2-1	DB000280	TOOL HOLDER BUSHING (SILENT TYPE)	1	22-9	DG000480	ORIFICE(D)	1
3	DB000110	TOOL HOLDER	1	22-10	DA000510	O-RING CAP	1
4	DB000120	ROUND BUSHING	1	22-11	22401930	O-RING	1
5	DB000060	PISTON	1	22-12	22402040	O-RING	2
6	DB000370	CYLINDER	1	22-13	DC000330	CHARGING VALVE	1
7	13006010	PT SOCKET PLUG	6	22-14	DC000320	O-RING PLUG	1
8	DA000240	PF3/4 SOCKET PLUG	3	22-15	DC000350	ACCUMULATOR COVER	1
9	22402110	O-RING	3	22-16	DC000360	DIAPHRAGM	1
10	22402140	O-RING	5	22-17	20212100	HEX SOCKET HEAD BOLT	16
11	22401630	O-RING	4	23	22405650	BACK UP RING	1
12	DB000290	HEAD CAP	1	24	13007810	GREASE NIPPLE	1
13	D7000200	GAS VALVE ASSEMBLY	1	25	DB000350	TOP NUT	4
14	22401430	O-RING	1	26	DB000180	TOP NUT WASHER	4
15	22401350	O-RING	1	27	DB000340	TENSION BOLT	4
16	DB000100	MAIN VALVE CAP	1	28	12002410	HEX HEAD NUT	1
17	DB000080	MAIN VALVE CASE	1	29	DB000360	BOTTOM NUT	4
18	DB000090	MAIN VALVE	1	30	20213620	HEX SOCKET HEAD BOLT	4
19	22402260	O-RING	2	31	13102810	HELI COIL SPRING	4
20	13008890	O-RING ADAPTER	2	32	13007320	RUBBER PLUG	5
21	13007170	UNION CAP	2	33	DB000140	STOP PIN	5
22	DC000830	ACCUMULATOR ASSEMBLY	1	34	DB000150	RETAINER PIN	2
22-1	DC000840	ACCUMULATOR BODY	1	35	22300110	STEP SEAL	2

■ HK250 POWER CELL

No.	Part No.	Part Name	Q'ty	MEMO
36	22200120	GAS SEAL	1	
37	DB000070	CYLINDER BUSHING	1	
38	22002710	DUST SEAL	1	
39	22003960	U PACKING SEAL	1	
40	22000240	BUFFER SEAL	1	
41	13006030	PT SOCKET PLUG	7	
42	DF000590	ADJUSTER VALVE	1	
43	22401980	O-RING	2	
44	22402070	O-RING	3	
45	D9000050	PIN	4	
*46	16800240	SPRING HOSE	2	
*47	13006590	HOSE PLUG	2	
48	DA000400	PF1/2 SOCKET PLUG	2	
49	13006020	PT1/2 SOCKET PLUG	1	
50	DD000230	M32 SOCKET PLUG-	1	
51	22402150	O-RING	1	
-	-	-	-	
-	DB691000	HEAD CAP SET	-	
-	DB691100	CYLINDER SET	-	
	DB691200	TOOL HOLDER SET		
-	DB691400	TENSION BOLT SET	-	
-	DB691500	SPARE SEAL KIT	-	
-	DC000830	ACCUMULATOR ASSEMBLY	-	
-	D5698000	N ₂ GAS CHARGING KIT	-	
MEMO				

■ HK250 SPARE SEAL KIT

No.	Item No.	Part No.	Part Name	Q'ty	MEMO
0	0	DD691500	SPARE SEAL KIT	1	
1	9	22402110	O-RING	3	
2	10	22402140	O-RING	5	
3	11	22401630	O-RING	4	
4	14	22401430	O-RING	1	
5	15	22401350	O-RING	1	
6	19	22402260	O-RING	2	
7	22-2	22409600	BACK UP RING	1	
8	22-3	22402540	O-RING	1	
9	22-11	22401930	O-RING	1	
10	22-12	22402040	O-RING	2	
11	23	22405650	BACK UP RING	1	
12	35	22300110	STEP SEAL	2	
13	36	22200120	GAS SEAL	1	
14	38	22002710	DUST SEAL	1	
15	39	22003960	U PACKING SEAL	1	
16	40	22000240	BUFFER SEAL	1	
17	43	22401980	O-RING	2	
18	44	22402070	O-RING	3	
19	51	22402150	O-RING	1	

■ HK250 TOOL KIT

No.	Part No.	Part Name	Q'ty			Remarks
			Side	Top	Silence	
0	-	TOOL KIT	DB691600	DB691700	DB691800	HK250
1	16502990	TOOL BOX	1	1	1	No1.
2	16500260	COMBI SPANNER	1	1	1	14mm
3	16502580	SINGLE SPANNER	1	1	1	50mm
4	16502100	DOUBLE SPANNER	1	1	1	27X30mm
5	16501140	L WRENCH	1	1	1	5mm
6	16501190	L WRENCH	1	1	1	14mm
7	16501210	L WRENCH	1	1	1	19mm
8	16501170	L WRENCH	1	1	1	10mm
9	16503090	HANDLE RETAINER PIN	1	1	1	M12
10	16500770	HAMMER RING WRENCH	1	1	1	75mm
11	16500730	HAMMER RING WRENCH	-	1	1	55mm

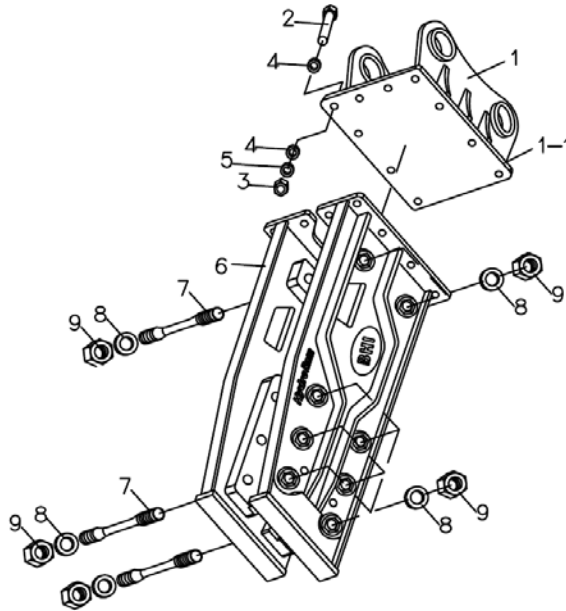
■ HK250 N2 GAS CHARGING KIT

No.	Part No.	Part Name	Q'ty	MEMO
0	DA698000	N ₂ GAS CHARGING KIT	1	
1	13105900	N ₂ GAS 3-WAY VALVE ASSEMBLY	1	
2	16802000	N ₂ HOSE	1	
3	13105910	N ₂ COUPLING KIT	1	
4	13105930	N ₂ GAS CYLINDER	1	

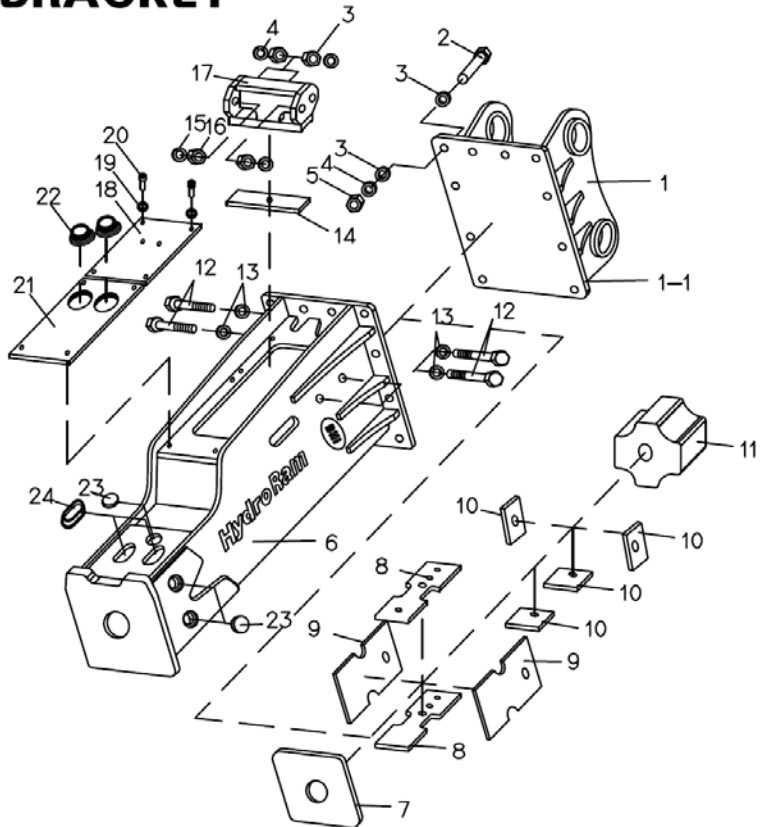
■ HK250 BRACKET

HK250

HK250 TOP BRACKET



HK250S SILENT BRACKET



■ HK250 BRACKET

■ HK250 TOP BRACKET				■ HK250S SILENT BRACKET			
No.	Part No.	Part Name	Q'ty	No.	Part No.	Part Name	Q'ty
0	DD200000	TOP BRACKET ASSEMBLY	1	0	DB300000	SILENCE BRACKET ASSEMBLY	1
1	DD300050	REAR BRACKET	1	1	DD300050	REAR BRACKET	1
2	20009790	HEX HEAD BOLT	12	2	20009790	HEX HEAD BOLT	12
3	12001510	HEX HEAD NUT	12	3	13000150	FLAT WASHER	24
4	13000150	FLAT WASHER	24	4	13001160	SPRING WASHER	12
5	13001160	SPRING WASHER	12	5	12001510	HEX HEAD NUT	12
6	DB200050	TOP BRACKET	1	6	DB300010	SILENCE BRACKET BODY	1
7	DB200080	SET BOLT	8	7	DB300290	DOWN CUSHION	1
8	DB200100	SET BOLT WASHER	16	8	DB300050	LOW FRONT WEAR PLATE	2
9	DB200110	SET BOLT NUT	16	9	DB300060	LOW SIDE WEAR PLATE	2
-	DD693000	SET BOLT SET	-	10	DB300840	SIDE WEAR PLATE	6
-	DB695100	DECAL KIT	-	11	DB300300	UPPER CUSHION	1
MEMO				12	20009430	HEX HEAD BOLT	4
				13	13000140	FLAT WASHER	4
				14	DA300890	SUPPORT WEAR PLATE	1
				15	13001150	SPRING WASHER	4
				16	12001830	HEX HEAD NUT	4
				17	DB300040	SUPPORT MIDDLE BLOCK	1
				18	DB300030	UPPER COVER	1
				19	10300080	FLAT WASHER	8
				20	20211760	HEX SOCKET HEAD BOLT	8
				21	DB300020	DOWN COVER	1
				22	13008030	HOSE PROTECT	2
				23	D9300070	RUBBER CAP-S	4
				24	D8300130	RUBBER CAP-F	4
				-	DB695200	DECAL KIT	-
				MEMO			

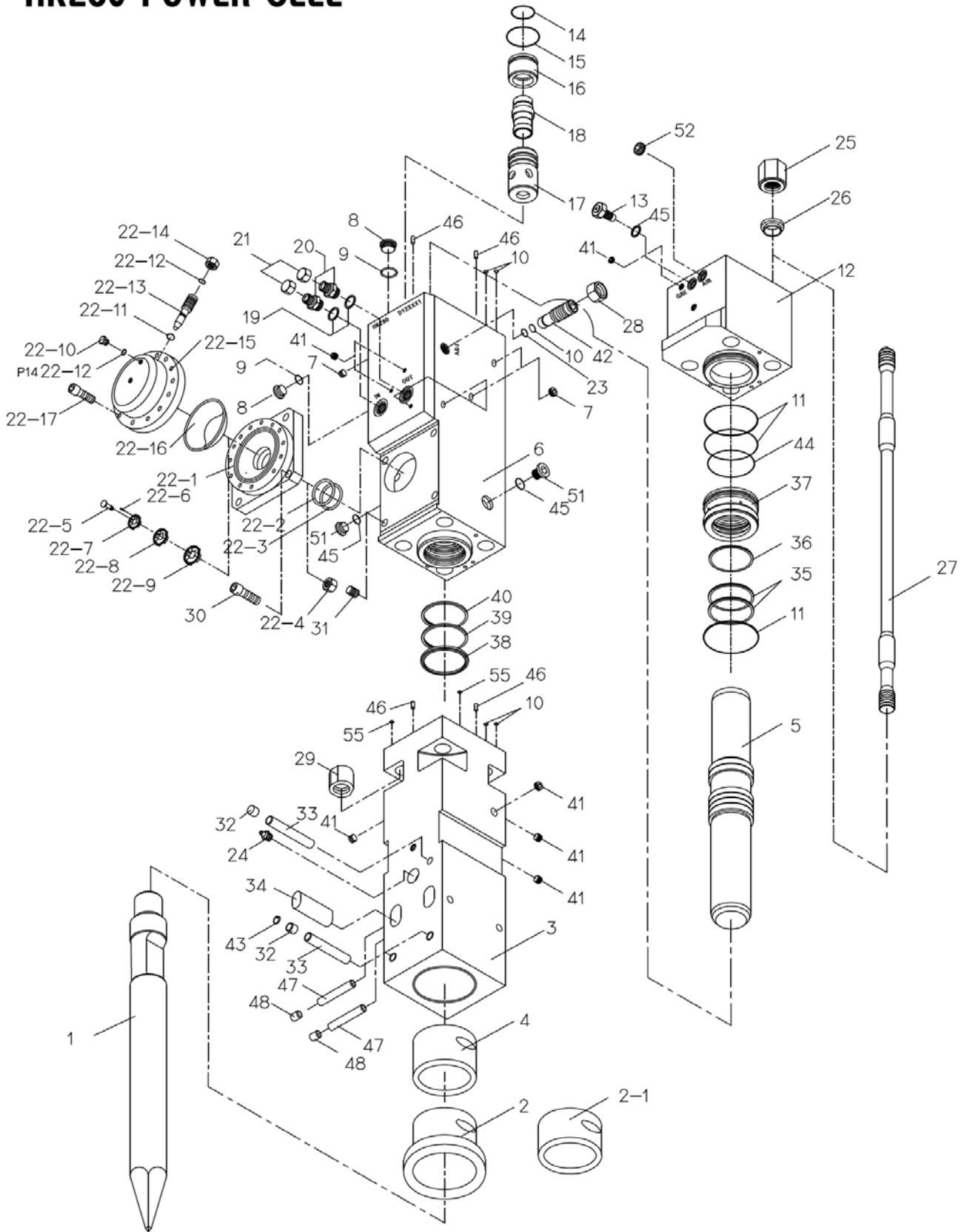


BHI HydroRam Hydraulic Hammer

HK280 Parts List

■ HK280 POWER CELL

HK280 POWER CELL



■ HK280 POWER CELL

No.	Part No.	Part Name	Q'ty	No.	Part No.	Part Name	Q'ty
0	DC000820	POWER CELL ASSEMBLY	1	22-2	22409600	BACK UP RING	1
1	DC000050	TOOL(MOIL)	1	22-3	22402540	O-RING	1
1-1	DC000060	TOOL(CONE)	0	22-4	DA000440	LOCK NUT	1
1-2	DC000070	TOOL(V-WEDGE)	0	22-5	DG000450	ORIFICE(A)	1
1-3	DC000080	TOOL(H-WEDGE)	0	22-6	DG000490	HOLDER PIN	1
1-4	DC000090	TOOL(FLAT)	0	22-7	DG000460	ORIFICE(B)	1
2	DC000160	TOOL HOLDER BUSHING	1	22-8	DG000470	ORIFICE(C)	1
2-1	DC000480	TOOL HOLDER BUSHING (SILENT TYPE)	1	22-9	DG000480	ORIFICE(D)	1
3	DC000570	TOOL HOLDER	1	22-10	DA000510	O-RING CAP	1
4	DC000180	ROUND BUSHING	1	22-11	22401930	O-RING	1
5	DC000190	PISTON	1	22-12	22402040	O-RING	2
6	DC000850	CYLINDER	1	22-13	DC000330	CHARGING VALVE	1
7	13006010	PT SOCKET PLUG	6	22-14	DC000320	O-RING PLUG	1
8	DF000050	M36 SOCKET PLUG	4	22-15	DC000350	ACCUMULATOR COVER	1
9	22402210	O-RING	4	22-16	DC000360	DIAPHRAGM	1
10	22402140	O-RING	5	22-17	20212100	HEX SOCKET HEAD BOLT	16
11	22401660	O-RING	3	23	22405650	BACK UP RING	1
12	DC000600	HEAD CAP	1	24	13007810	GREASE NIPPLE	1
13	D7000200	GAS VALVE ASSEMBLY	1	25	DC000760	TOP NUT	4
14	22401410	O-RING	1	26	DC000380	TOP NUT WASHER	4
15	22401440	O-RING	1	27	DC000750	TENSION BOLT	4
16	DC000220	MAIN VALVE CAP	1	28	12002410	HEX HEAD NUT	1
17	DC000230	MAIN VALVE CASE	1	29	DC000770	BOTTOM NUT	4
18	DC000240	MAIN VALVE	1	30	20213620	HEX SOCKET HEAD BOLT	4
19	22402260	O-RING	2	31	13102810	HELI COIL SPRING	4
20	13008890	O-RING ADAPTER	2	32	13007340	RUBBER PLUG	3
21	13007170	UNION CAP	2	33	DC000420	STOP PIN	3
22	DC000830	ACCUMULATOR ASSEMBLY	1	34	DC000430	RETAINER PIN	2
22-1	DC000840	ACCUMULATOR BODY	1	35	22300080	STEP SEAL	2

■ HK280 POWER CELL

No.	Part No.	Part Name	Q'ty	MEMO
36	22200090	GAS SEAL	1	
37	DC000440	CYLINDER BUSHING	1	
38	22002730	DUST SEAL	1	
39	22003980	U PACKING SEAL	1	
40	22000250	BUFFER SEAL	1	
41	13006030	PT SOCKET PLUG	9	
42	DC000660	ADJUSTER VALVE	1	
43	13003160	SNAP RING	2	
44	22401640	O-RING	1	
45	22402070	O-RING	3	
46	D9000050	PIN	4	
47	DC000450	STOP PIN	2	
48	13007320	RUBBER PLUG	2	
*49	16800030	SPRING HOSE	2	
50	13006590	HOSE PLUG	2	
51	DA000400	PF1/2 SOCKET PLUG	2	
52	13006020	PT1/2 SOCKET PLUG	1	
53	DH000380	PF 1/4 SOCKET PLUG	2	
54	22402000	O-RING	2	
55	22401980	O-RING	2	
-	-	-		
-	DC691000	HEAD CAP SET	-	
-	DC691100	CYLINDER SET	-	
	DC691200	TOOL HOLDER SET		
-	DC691410	TENSION BOLT SET	-	
-	DC691510	SPARE SEAL KIT	-	
-	DC000830	ACCUMULATOR ASSEMBLY	-	
-	D5698000	N ₂ GAS CHARGING KIT	-	
MEMO				

■ HK280 SPARE SEAL KIT

No.	Item No.	Part No.	Part Name	Q'ty	MEMO
0	0	DC691510	SPARE SEAL KIT	1	
1	9	22402210	O-RING	4	
2	10	22402140	O-RING	5	
3	11	22401660	O-RING	3	
4	14	22401410	O-RING	1	
5	15	22401440	O-RING	1	
6	19	22402260	O-RING	2	
7	22-2	22409600	BACK UP RING	1	
8	22-3	22402540	O-RING	1	
9	22-11	22401930	O-RING	1	
10	22-12	22402040	O-RING	2	
11	23	22405650	BACK UP RING	1	
12	35	22300080	STEP SEAL	2	
13	36	22200090	GAS SEAL	1	
14	38	22002730	DUST SEAL	1	
15	39	22003980	U PACKING SEAL	1	
16	40	22000250	BUFFER SEAL	1	
17	44	22401640	O-RING	1	
18	45	22402070	O-RING	3	
19	54	22402000	O-RING	2	
20	55	22401980	O-RING	2	

■ HK280 TOOL KIT

No.	Part No.	Part Name	Q'ty			Remarks
			Side	Top	Silence	
0	-	TOOL KIT	DC691600	DC691700	DC691800	HK280
1	16502990	TOOL BOX	1	1	1	No1.
2	16500260	COMBI SPANNER	1	1	1	14mm
3	16502580	SINGLE SPANNER	1	1	1	50mm
4	16500370	SINGLE SPANNER	1	1	1	32mm
5	16502100	DOUBLE SPANNER	1	1	1	27X30mm
6	16501140	L WRENCH	1	1	1	5mm
7	16501190	L WRENCH	1	1	1	14mm
8	16501210	L WRENCH	1	1	1	19mm
9	16501170	L WRENCH	1	1	1	10mm
10	16503090	HANDLE RETAINER PIN	1	1	1	M12
11	16500770	HAMMER RING WRENCH	1	1	1	75m
12	16500800	HAMMER RING WRENCH	1	1	-	90mm
13	16500720	HAMMER RING WRENCH	-	1	1	55mm

■ HK280 N2 GAS CHARGING KIT

No.	Part No.	Part Name	Q'ty	MEMO
0	DA698000	N ₂ GAS CHARGING KIT	1	
1	13105900	N ₂ GAS 3-WAY VALVE ASSEMBLY	1	
2	16802000	N ₂ HOSE	1	
3	13105910	N ₂ COUPLING KIT	1	
4	13105930	N ₂ GAS CYLINDER	1	

■ HK280 BRACKET

■ HK280 TOP BRACKET				■ HK280S SILENT BRACKET			
No.	Part No.	Part Name	Q'ty	No.	Part No.	Part Name	Q'ty
0	DC200050	TOP BRACKET ASSEMBLY	1	0	DC300690	SILENCE BRACKET ASSEMBLY	1
1	DD300050	REAR BRACKET	1	1	DC300050	REAR BRACKET	1
2	20009790	HEX HEAD BOLT	12	2	20009790	HEX HEAD BOLT	12
3	12001510	HEX HEAD NUT	12	3	13000150	FLAT WASHER	24
4	13000150	FLAT WASHER	24	4	13001160	SPRING WASHER	12
5	13001160	SPRING WASHER	12	5	12001510	HEX HEAD NUT	12
6	DC200060	TOP BRACKET	1	6	DC300700	SILENCE BRACKET BODY	1
7	DC100060	SET BOLT	8	7	DC300210	DOWN CUSHION	1
8	DC100080	SET BOLT WASHER	16	8	DC300830	LOW FRONT WEAR PLATE	2
9	DC100070	SET BOLT NUT	16	9	DC300820	LOW SIDE WEAR PLATE	2
-	DC693000	SET BOLT SET	-	10	DC300840	SIDE WEAR PLATE	4
-	DC695100	DECAL KIT	-	11	DC300850	FRONT WEAR PLATE	3
MEMO				12	DC300530	UPPER CUSHION	1
				13	20009430	HEX HEAD BOLT	4
				14	13000140	FLAT WASHER	4
				15	DC300920	SUPPORT WEAR PLATE	1
				16	13001150	SPRING WASHER	4
				17	12001500	HEX HEAD NUT	4
				18	DC300860	SUPPORT MIDDLE BLOCK	1
				19	DC300900	UPPER COVER	1
				20	13000080	FLAT WASHER	8
				21	20211760	HEX SOCKET HEAD BOLT	8
				22	DC300910	DOWN COVER	1
				23	13008030	HOSE PROTECT	2
				24	D9300070	RUBBER CAP-S	6
				25	D8300130	RUBBER CAP-F	4
				-	DC695200	DECAL KIT	-
				MEMO			

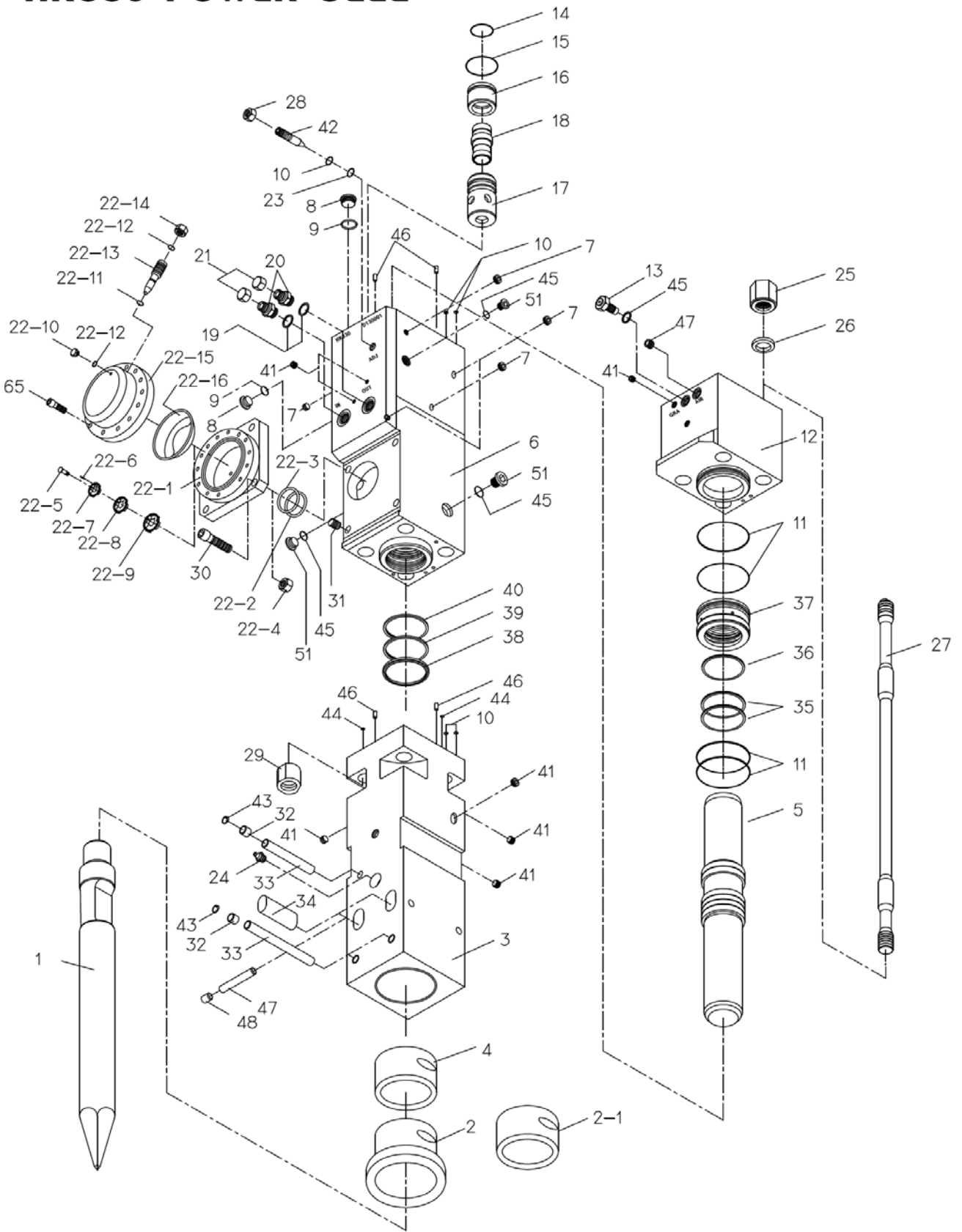


BHI HydroRam Hydraulic Hammer

HK330 Parts List

■ HK330 POWER CELL

HK330 POWER CELL



■ HK330 POWER CELL

No.	Part No.	Part Name	Q'ty	No.	Part No.	Part Name	Q'ty
0	DD000000	POWER CELL ASSEMBLY	1	22-2	22409600	BACK UP RING	1
1	DD000050	TOOL(MOIL)	1	22-3	22402540	O-RING	1
1-1	DD000060	TOOL(CONE)	0	22-4	DA000440	LOCK NUT	1
1-2	DD000090	TOOL(V-WEDGE)	0	22-5	DG000450	ORIFICE(A)	1
1-3	DD000080	TOOL(H-WEDGE)	0	22-6	DG000490	HOLDER PIN	1
1-4	DD000070	TOOL(FLAT)	0	22-7	DG000460	ORIFICE(B)	1
2	DD000170	TOOL HOLDER BUSHING	1	22-8	DG000470	ORIFICE(C)	1
2-1	DD000330	TOOL HOLDER BUSHING (SILENT TYPE)	1	22-9	DG000480	ORIFICE(D)	1
3	DD000180	TOOL HOLDER	1	22-10	DA000510	O-RING CAP	1
4	DD000190	ROUND BUSHING	1	22-11	22401930	O-RING	1
5	DD000200	PISTON	1	22-12	22402040	O-RING	2
6	DD000450	CYLINDER	1	22-13	DC000330	CHARGING VALVE	1
7	13006010	PT SOCKET PLUG	5	22-14	DC000320	O-RING PLUG	1
8	DF000050	M36 SOCKET PLUG	4	22-15	DC000350	ACCUMULATOR COVER	1
9	22402210	O-RING	4	22-16	DC000360	DIAPHRAGM	1
10	22402140	O-RING	5	22-17	20212100	HEX SOCKET HEAD BOLT	16
11	22401660	O-RING	4	23	22405650	BACK UP RING	1
12	DD000240	HEAD CAP	1	24	13007810	GREASE NIPPLE	1
13	D7000200	GAS VALVE ASSEMBLY	1	25	DD000470	TOP NUT	4
14	22401410	O-RING	1	26	DD000480	TOP NUT WASHER	4
15	22401430	O-RING	1	27	DD000460	TENSION BOLT	4
16	DD000250	MAIN VALVE CAP	1	28	12002410	HEX HEAD NUT	1
17	DD000260	MAIN VALVE CASE	1	29	DD000490	BOTTOM NUT	4
18	DD000270	MAIN VALVE	1	30	20213620	HEX SOCKET HEAD BOLT	4
19	22402260	O-RING	2	31	13102810	HELI COIL SPRING	4
20	13008890	O-RING ADAPTER	2	32	13007340	RUBBER PLUG	4
21	13007170	UNION CAP	2	33	DC000420	STOP PIN	4
22	DC000830	ACCUMULATOR ASSEMBLY	1	34	DC000430	RETAINER PIN	2
22-1	DC000840	ACCUMULATOR BODY	1	35	22300090	STEP SEAL	2

■ HK330 POWER CELL

No.	Part No.	Part Name	Q'ty	MEMO
36	22200160	GAS SEAL	1	
37	DD000310	CYLINDER BUSHING	1	
38	22002740	DUST SEAL	1	
39	22004000	U PACKING SEAL	1	
40	22000260	BUFFER SEAL	1	
41	13006030	PT SOCKET PLUG	7	
42	DD000430	ADJUSTER VALVE	1	
43	13003160	SNAP RING	3	
44	22401980	O-RING	2	
45	22402070	O-RING	3	
46	D9000050	PIN	4	
47	13006020	PT1/2" SOCKET PLUG	1	
*49	16800030	SPRING HOSE	2	
*50	13006590	HOSE PLUG	2	
51	DA000400	PF1/2 SOCKET PLUG	2	
-	-	-	-	
-	DD691000	HEAD CAP SET	-	
-	DD691100	CYLINDER SET	-	
-	DD691200	TOOL HOLDER SET	-	
-	DD691410	TENSION BOLT SET	-	
-	DD691510	SPARE SEAL KIT	-	
-	DC000830	ACCUMULATOR ASSEMBLY	-	
-	D5698000	N ₂ GAS CHARGING KIT	-	
MEMO				

■ HK330 SPARE SEAL KIT

No.	Item No.	Part No.	Part Name	Q'ty	MEMO
0	0	DD691510	SPARE SEAL KIT	1	
1	9	22402210	O-RING	4	
2	10	22402140	O-RING	5	
3	11	22401660	O-RING	4	
4	14	22401410	O-RING	1	
5	15	22401430	O-RING	1	
6	19	22402260	O-RING	2	
7	22-2	22409600	BACK UP RING	1	
8	22-3	22402540	O-RING	1	
9	22-11	22401930	O-RING	1	
10	22-22	22402040	O-RING	2	
11	23	22405650	BACK UP RING	1	
12	35	22300090	STEP SEAL	2	
13	36	22200160	GAS SEAL	1	
14	38	22002740	DUST SEAL	1	
15	39	22003980	U PACKING SEAL	1	
16	40	22000250	BUFFER SEAL	1	
17	44	22401980	O-RING	2	
18	45	22402070	O-RING	3	
MEMO					

■ HK330 TOOL KIT

No.	Part No.	Part Name	Q'ty			Remarks
			Side	Top	Silence	
0	-	TOOL KIT	DD691600	DD691700	DD691800	HK330
1	16502990	TOOL BOX	1	1	1	No1.
2	16500260	COMBI SPANNER	1	1	1	14mm
3	16502580	SINGLE SPANNER	1	1	1	50mm
4	16500370	SINGLE SPANNER	1	1	1	32mm
5	16502100	DOUBLE SPANNER	1	1	1	27X30mm
6	16501140	L WRENCH	1	1	1	5mm
7	16501190	L WRENCH	1	1	1	14mm
8	16501210	L WRENCH	1	1	1	19mm
9	16501170	L WRENCH	1	1	1	10mm
10	16503090	HANDLE RETAINER PIN	1	1	1	M12
11	16500770	HAMMER RING WRENCH	1	1	1	75mm
12	16500800	HAMMER RING WRENCH	1	1	-	90mm
13	16500730	HAMMER RING WRENCH	-	1	1	55mm

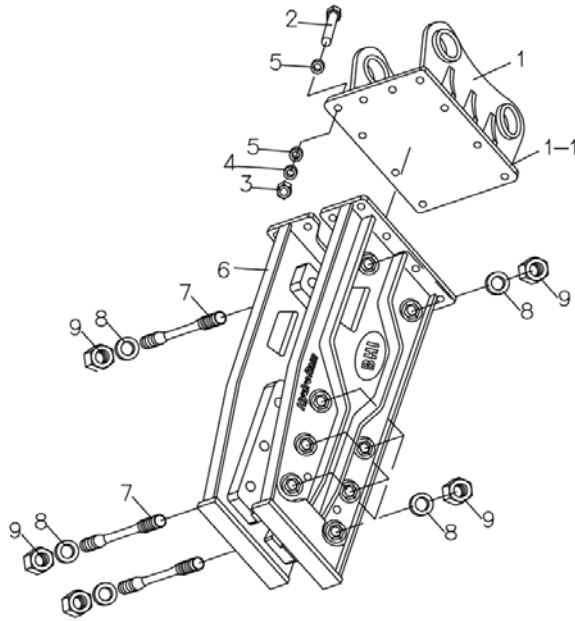
■ HK330 N2 GAS CHARGING KIT

No.	Part No.	Part Name	Q'ty	MEMO
0	DA698000	N ₂ GAS CHARGING KIT	1	
1	13105900	N ₂ GAS 3-WAY VALVE ASSEMBLY	1	
2	16802000	N ₂ HOSE	1	
3	13105910	N ₂ COUPLING KIT	1	
4	13105930	N ₂ GAS CYLINDER	1	

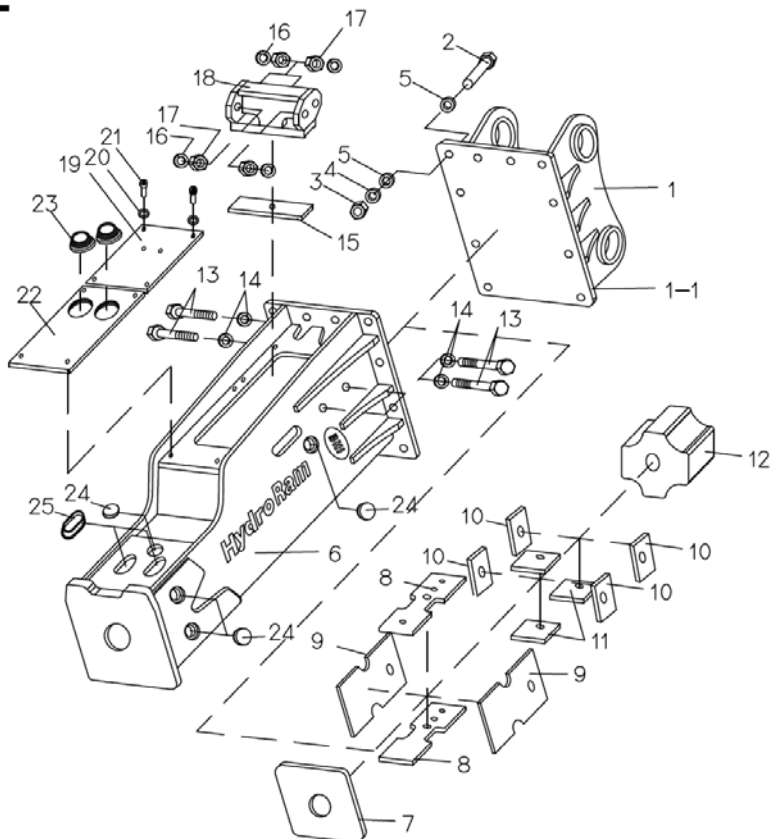
■ HK330 BRACKET

HK330

TOP BRACKET



SILENT BRACKET



■ HK330 BRACKET

■ HK330 TOP BRACKET				■ HK330S SILENT BRACKET			
No.	Part No.	Part Name	Q'ty	No.	Part No.	Part Name	Q'ty
0	DD200000	TOP BRACKET ASSEMBLY	1	0	DD300000	SILENCE BRACKET ASSEMBLY	1
1	DD300050	REAR BRACKET	1	1	DD300050	REAR BRACKET	1
2	20009790	HEX HEAD BOLT	12	2	20009790	HEX HEAD BOLT	12
3	12001510	HEX HEAD NUT	12	3	13000150	FLAT WASHER	24
4	13000150	FLAT WASHER	24	4	13001160	SPRING WASHER	12
5	13001160	SPRING WASHER	12	5	12001510	HEX HEAD NUT	12
6	DD200050	TOP BRACKET	1	6	DD300010	SILENCE BRACKET BODY	1
7	DD200090	SET BOLT	8	7	DD300210	DOWN CUSHION	1
8	DC100080	SET BOLT WASHER	16	8	DD300830	LOW FRONT WEAR PLATE	2
9	DC100070	SET BOLT NUT	16	9	DD300820	LOW SIDE WEAR PLATE	2
-	DD693010	SET BOLT SET	-	10	DC300840	SIDE WEAR PLATE	4
-	DD695100	DECAL KIT	-	11	DC300850	FRONT WEAR PLATE	3
MEMO				12	DC300530	UPPER CUSHION	1
				13	20009430	HEX HEAD BOLT	4
				14	13000140	FLAT WASHER	4
				15	DC300920	SUPPORT WEAR PLATE	1
				16	13001150	SPRING WASHER	4
				17	12001500	HEX HEAD NUT	4
				18	DD300860	SUPPORT MIDDLE BLOCK	1
				19	DD300900	UPPER COVER	1
				20	13000100	FLAT WASHER	8
				21	20212480	HEX SOCKET HEAD BOLT	8
				22	DD300910	DOWN COVER	1
				23	13008030	HOSE PROTECT	2
				24	D9300070	RUBBER CAP-S	6
				25	D8300130	RUBBER CAP-F	4
				-	DD695200	DECAL KIT	-
				MEMO			

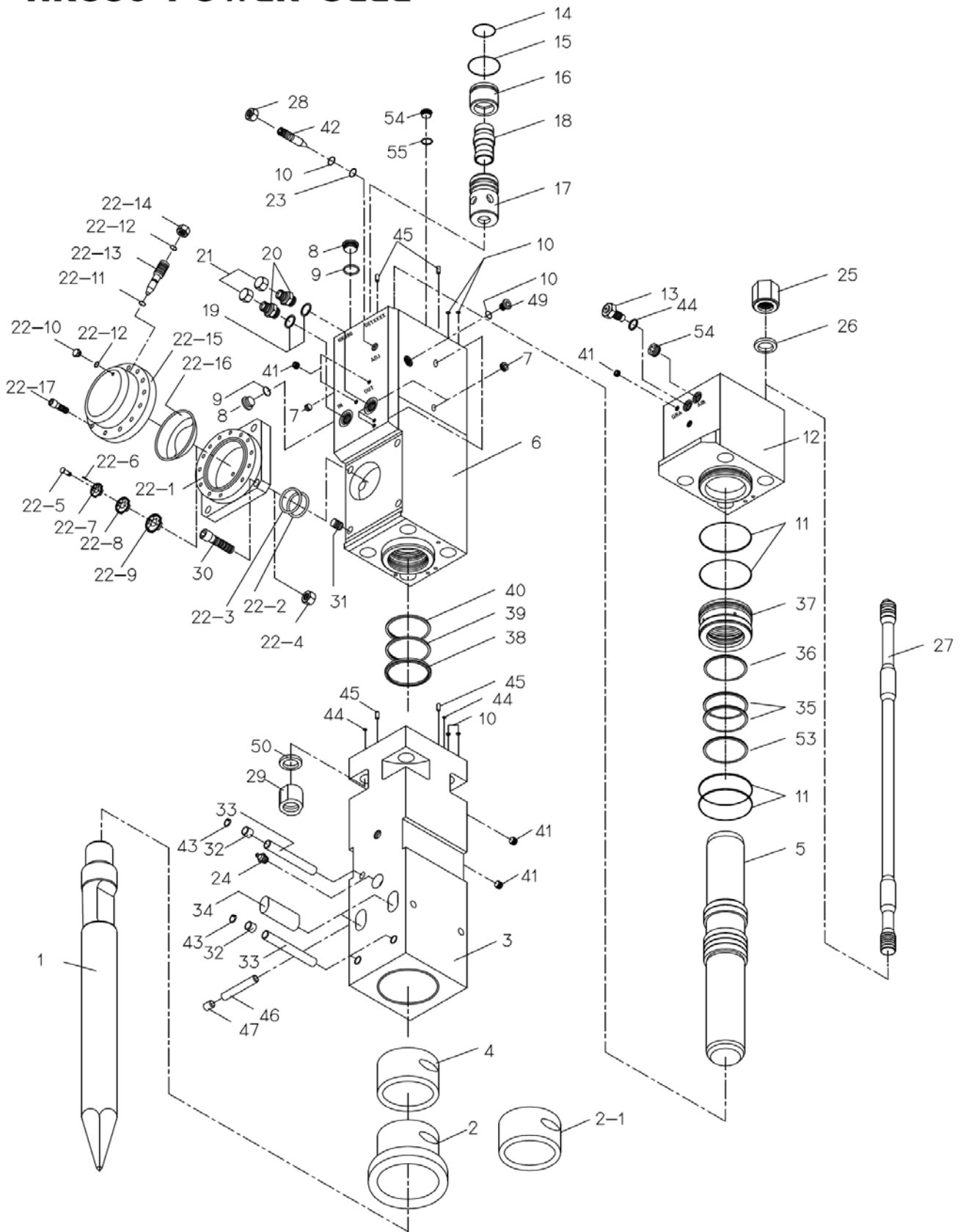


BHI HydroRam Hydraulic Hammer

HK380 Parts List

■ HK380 POWER CELL

HK380 POWER CELL



■ HK380 POWER CELL

No.	Part No.	Part Name	Q'ty	No.	Part No.	Part Name	Q'ty
0	DE000000	POWER CELL ASSEMBLY	1	22-2	22409600	BACK UP RING	1
1	DE000120	TOOL(MOIL)	1	22-3	22402540	O-RING	1
1-1	DE000140	TOOL(CONE)	0	22-4	DA000440	LOCK NUT	1
1-2	DE000110	TOOL(V-WEDGE)	0	22-5	DG000450	ORIFICE(A)	1
1-3	DE000100	TOOL(H-WEDGE)	0	22-6	DG000490	HOLDER PIN	1
1-4	DE000130	TOOL(FLAT)	0	22-7	DG000460	ORIFICE(B)	1
2	DE000050	TOOL HOLDER BUSHING	1	22-8	DG000470	ORIFICE(C)	1
2-1	DE000150	TOOL HOLDER BUSHING (SILENT TYPE)	1	22-9	DG000480	ORIFICE(D)	1
3	DE000020	TOOL HOLDER	1	22-10	DA000510	O-RING CAP	1
4	DE000040	ROUND BUSHING	1	22-11	22401930	O-RING	1
5	DE000090	PISTON	1	22-12	22402040	O-RING	2
6	DE000010	CYLINDER	1	22-13	DC000330	CHARGING VALVE	1
7	13006010	PT SOCKET PLUG	5	22-14	DC000320	O-RING PLUG	1
8	DF000050	M36 SOCKET PLUG	3	22-15	DE000330	ACCUMULATOR COVER	1
9	22402210	O-RING	3	22-16	DE000320	DIAPHRAGM	1
10	22402140	O-RING	6	22-17	20215040	HEX SOCKET HEAD BOLT	12
11	22401670	O-RING	4	23	22405650	BACK UP RING	1
12	DE000030	HEAD CAP	1	24	13007810	GREASE NIPPLE	1
13	D7000200	GAS VALVE ASSEMBLY	1	25	DE000230	TOP NUT	4
14	22401410	O-RING	1	26	DE000270	TOP NUT WASHER	4
15	22401440	O-RING	1	27	DE000200	TENSION BOLT	4
16	DE000190	MAIN VALVE CAP	1	28	12002410	HEX HEAD NUT	1
17	DE000180	MAIN VALVE CASE	1	29	DE000220	BOTTOM NUT	4
18	DE000170	MAIN VALVE	1	30	20213620	HEX SOCKET HEAD BOLT	4
19	22402260	O-RING	2	31	13102810	HELI COIL SPRING	4
20	13008890	O-RING ADAPTER	2	32	13007310	RUBBER PLUG	3
21	13007170	UNION CAP	2	33	DE000070	STOP PIN	3
22	DE000300	ACCUMULATOR ASSEMBLY	1	34	DE000060	RETAINER PIN	2
22-1	DE000310	ACCUMULATOR BODY	1	35	22300140	STEP SEAL	2

■ HK380 POWER CELL

No.	Part No.	Part Name	Q'ty	MEMO
36	22200220	GAS SEAL	1	
37	DE000210	CYLINDER BUSHING	1	
38	22002750	DUST SEAL	1	
39	22004010	U PACKING SEAL	1	
40	22000310	BUFFER SEAL	1	
41	13006030	PT SOCKET PLUG	5	
42	DF000590	ADJUSTER VALVE	1	
43	13003160	SNAP RING	3	
44	22402070	O-RING	3	
45	D9000050	PIN	4	
46	DE000080	STOP PIN(B)	2	
47	13007320	RUBBER PLUG	2	
48	13006530	PF1/2 PLUG	2	
49	D4000280	M18 SOCKET PLUG	1	
50	DE000250	BOTTOM NUT WASHER	4	
*51	16800150	SPRING HOSE	2	
*52	13006590	HOSE PLUG	2	
53	DE000290	BUFFER RING SEAL	1	
54	13006020	PT1/2 SOCKET PLUG	1	
-	DE691000	HEAD CAP SET	-	
-	DE691100	CYLINDER SET	-	
-	DE691200	TOOL HOLDER SET	-	
-	DE691410	TENSION BOLT SET	-	
-	DE691510	SPARE SEAL KIT	-	
-	DE000300	ACCUMULATOR ASSEMBLY	-	
-	D5698000	N ₂ GAS CHARGING KIT	-	
MEMO				

■ HK380 SPARE SEAL KIT

No.	Item No.	Part No.	Part Name	Q'ty	MEMO
0	0	DE691510	SPARE SEAL KIT	1	
1	9	22402210	O-RING	3	
2	10	22402140	O-RING	6	
3	11	22401670	O-RING	4	
4	14	22401410	O-RING	1	
5	15	22401440	O-RING	1	
6	19	22402260	O-RING	2	
7	22-2	22409600	BACK UP RING	1	
8	22-3	22402540	O-RING	1	
9	22-11	22401930	O-RING	1	
10	22-12	22402040	O-RING	2	
11	23	22405650	BACK UP RING	1	
12	35	22300140	STEP SEAL	2	
13	36	22200220	GAS SEAL	1	
14	38	22002750	DUST SEAL	1	
15	39	22004010	U PACKING SEAL	1	
16	40	22000310	BUFFER SEAL	1	
17	44	22402070	O-RING	3	
18	53	DE000290	BUFFER RING SEAL	1	
MEMO					

■ HK380 TOOL KIT

No.	Part No.	Part Name	Q'ty			Remarks
			Side	Top	Silence	
0	-	TOOL KIT	DE691600	DE691700	DE691800	HK380
1	16502990	TOOL BOX	1	1	1	No1.
2	16500260	COMBI SPANNER	1	1	1	14mm
3	16502580	SINGLE SPANNER	1	1	1	50mm
4	16500370	SINGLE SPANNER	1	1	1	32mm
5	16502100	DOUBLE SPANNER	1	1	1	27X30mm
6	16501140	L WRENCH	1	1	1	5mm
7	16501190	L WRENCH	1	1	1	14mm
8	16501210	L WRENCH	1	1	1	19mm
9	16501170	L WRENCH	1	1	1	10mm
10	16503090	HANDLE RETAINER PIN	1	1	1	M12
11	15600780	HAMMER RING WRENCH	1	1	1	80mm
12	16500730	HAMMER RING WRENCH	-	1	1	55mm

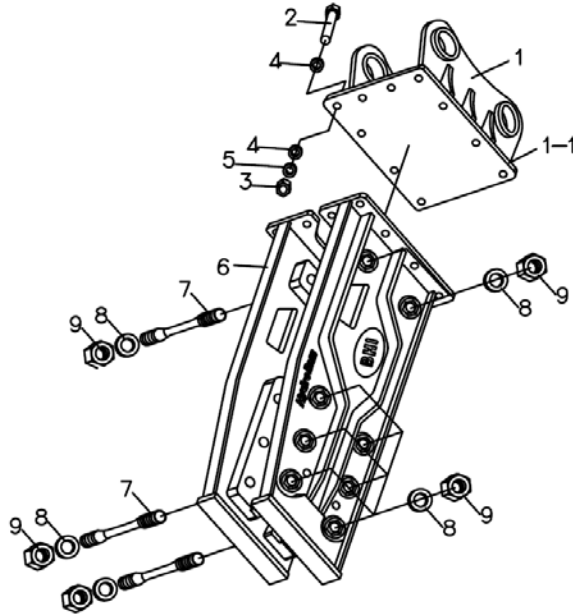
■ HK380 N2 GAS CHARGING KIT

No.	Part No.	Part Name	Q'ty	MEMO
0	DA698000	N ₂ GAS CHARGING KIT	1	
1	13105900	N ₂ GAS 3-WAY VALVE ASSEMBLY	1	
2	16802000	N ₂ HOSE	1	
3	13105910	N ₂ COUPLING KIT	1	
4	13105930	N ₂ GAS CYLINDER	1	

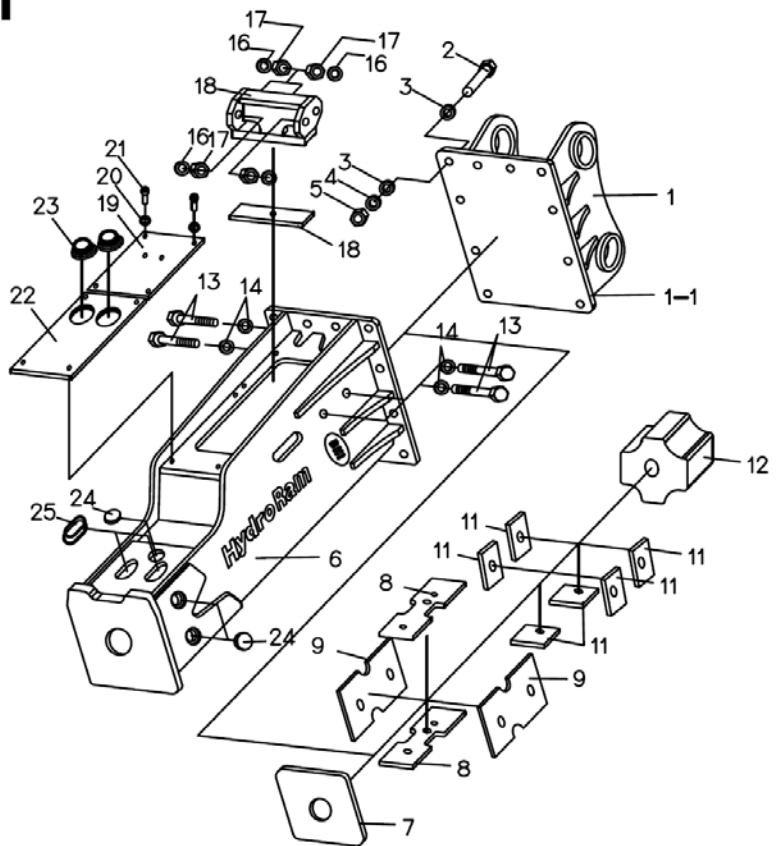
■ HK380 BRACKET

HK380

TOP BRACKET



SILENT BRACKET



■ HK380 BRACKET

■ HK380 TOP BRACKET				■ HK380S SILENT BRACKET			
No.	Part No.	Part Name	Q'ty	No.	Part No.	Part Name	Q'ty
0	DE200100	TOP BRACKET ASSEMBLY	1	0	DE300000	SILENCE BRACKET ASSEMBLY	1
1	DE200070	REAR BRACKET	1	1	DE200070	REAR BRACKET	1
2	20009850	HEX HEAD BOLT	12	2	20009850	HEX HEAD BOLT	12
3	12001510	HEX HEAD NUT	12	3	13000150	FLAT WASHER	24
4	13000150	FLAT WASHER	24	4	13001160	SPRING WASHER	12
5	13001160	SPRING WASHER	12	5	12001510	HEX HEAD NUT	24
6	DE200010	TOP BRACKET	1	6	DE300010	SILENCE BRACKET BODY	1
7	DE200040	SET BOLT	10	7	DE300060	DOWN CUSHION	1
8	DE200060	SET BOLT WASHER	20	8	DE300020	LOW FRONT WEAR PLATE	2
9	DE200050	SET BOLT NUT	20	9	DE300030	LOW SIDE WEAR PLATE	2
-	DE693000	SET BOLT SET	-	10	-	SIDE WEAR PLATE	-
-	DE695100	DECAL KIT	-	11	DC300850	FRONT WEAR PLATE	6
MEMO				12	DC300530	UPPER CUSHION	1
				13	20009430	HEX HEAD BOLT	4
				14	13000140	FLAT WASHER	4
				15	DC300080	SUPPORT WEAR PLATE	1
				16	13001150	SPRING WASHER	4
				17	12001500	HEX HEAD NUT	4
				18	DE300070	SUPPORT MIDDLE BLOCK	1
				19	DE300050	UPPER COVER	1
				20	13000100	FLAT WASHER	10
				21	20212490	HEX SOCKET HEAD BOLT	10
				22	DE300040	DOWN COVER	1
				23	13008030	HOSE PROTECT	2
				24	D9300070	RUBBER CAP-S	5
				25	DA300140	RUBBER CAP-F	4
				-	DE695200	DECAL KIT	-
				MEMO			

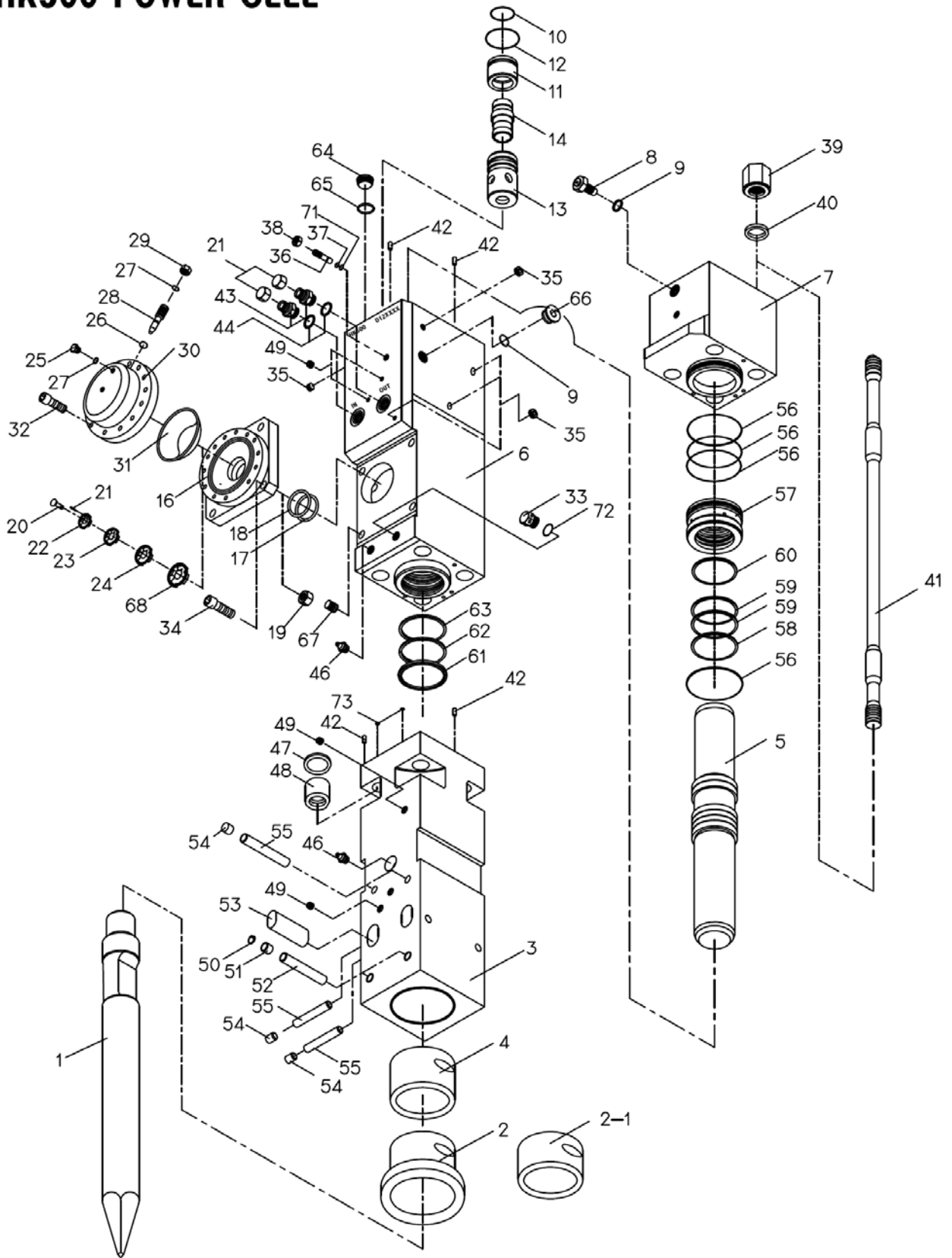


BHI HydroRam Hydraulic Hammer

HK500 Parts List

■ HK500 POWER CELL

HK500 POWER CELL



■ HK500 POWER CELL

No.	Part No.	Part Name	Q'ty	No.	Part No.	Part Name	Q'ty
0	DF000000	POWER CELL ASSEMBLY	1	26	22401930	O-RING	1
1	DF000060	TOOL(MOIL)	1	27	22402040	O-RING	2
1-1	DF000070	TOOL(H-WEDGE)	0	28	DA000500	CHARGING VALVE	1
1-2	DF000080	TOOL(V-WEDGE)	0	29	DA000510	O-RING PLUG	1
1-3	DF000090	TOOL(CONE)	0	30	DF000650	ACCUMULATOR COVER	1
1-4	DF000100	TOOL(FLAT)	0	31	DF000740	DIAPHRAGM	1
2	DF000210	TOOL HOLDER BUSHING	1	32	20215070	HEX HEAD BOLT	16
2-1	DF000400	TOOL HOLDER BUSHING (SILENCE TYPE)	0	33	13006550	PF3/4 HEX HEAD PLUG	1
3	DF000220	TOOL HOLDER	1	34	20215090	HEX SOCKET HEAD BOLT	4
4	DF000230	ROUND BUSHING	1	35	13006010	PT SOCKET PLUG	5
5	DF000240	PISTON	1	36	DF000590	ADJUSTER VALVE	1
6	DF000640	CYLINDER	1	37	22402060	O-RING	1
7	DF000420	HEAD CAP	1	38	12002410	HEX HEAD NUT	2
8	D7000200	GAS VALVE ASSEMBLY	1	39	DF000460	TOP NUT	4
9	22402070	O-RING	2	40	DF000470	TOP NUT WASHER	4
10	22401360	O-RING	1	41	DF000630	TENSION BOLT	4
11	DF000570	MAIN VALVE CAP	1	42	D9000050	PIN	4
12	22401440	O-RING	1	43	13008890	O-RING ADAPTER	2
13	DF000580	MAIN VALVE CASE	1	44	22402260	O-RING	2
14	DF000560	MAIN VALVE	1	45	13007170	UNION CAP	2
15	DF000670	ACCUMULATOR ASSEMBLY	1	46	13007810	GREASE NIPPLE	2
16	DF000660	ACCUMULATOR BODY	1	47	DF000490	BOTTOM NUT WASHER	4
17	22409610	BACK UP RING	1	48	DF000480	BOTTOM NUT	4
18	22402550	O-RING	1	49	13006030	PT SOCKET PLUG	4
19	DA000440	LOCK NUT	1	50	13003160	SNAP RING	2
20	DF000680	ORIFICE(A)	1	51	13007340	RUBBER PLUG	2
21	DF000730	HOLDER PIN	1	52	DF000330	STOP PIN(A)	2
22	DF000960	ORIFICE(B)	1	53	DF000340	RETAINER PIN	2
23	DF000700	ORIFICE(C)	1	54	13007350	RUBBER PLUG	4
24	DF000710	ORIFICE(D)	1	55	DF000360	STOP PIN(B)	4
25	DA000510	O-RING CAP	1	56	22401690	O-RING	4

■ HK500 POWER CELL

No.	Part No.	Part Name	Q'ty	MEMO
57	DF000370	CYLINDER BUSHING	1	
58	DF000390	BUFFER RING SEAL	1	
59	22300100	STEP SEAL	2	
60	22200110	GAS SEAL	1	
61	22002760	DUST SEAL	1	
62	22004020	U PACKING SEAL	1	
63	22000270	BUFFER SEAL	1	
64	DF000050	M36 SOCKET PLUG	4	
65	22402210	O-RING	4	
66	DA000400	PF1/2 SOCKET PLUG	1	
67	13102960	HELI COIL SPRING	4	
68	DF000720	ORIFICE(E)	1	
69	16800150	SPRING HOSE	2	
70	13006590	HOSE PLUG	2	
71	22405650	BACK UP RING	1	
72	22402110	O-RING	1	
73	22402080	O-RING	2	
-	DF691000	HEAD CAP SET	-	
-	DF691100	CYLINDER SET	-	
-	DF691200	TOOL HOLDER SET	-	
-	DF691410	TENSION BOLT SET	-	
-	DF691500	SPARE SEAL KIT	-	
-	DF000670	ACCUMULATOR ASSEMBLY	-	
-	DA698000	N ₂ GAS CHARGING KIT	-	
MEMO				

■ HK500 SPARE SEAL KIT

No.	Item No.	Part No.	Part Name	Q'ty	MEMO
0	0	DF691500	SPARE SEAL KIT	1	
1	9	22402070	O-RING	2	
2	10	22401360	O-RING	1	
3	12	22401440	O-RING	1	
4	17	22409610	BACK UP RING	1	
5	18	22402550	O-RING	1	
6	26	22401930	O-RING	1	
7	27	22402040	O-RING	2	
8	37	22402060	O-RING	3	
9	44	22402260	O-RING	2	
10	56	22401690	O-RING	4	
11	58	DF000390	BUFFER RING SEAL	1	
12	59	22300100	STEP SEAL	2	
13	60	22200110	GAS SEAL	1	
14	61	22002760	DUST SEAL	1	
15	62	22004020	U PACKING SEAL	1	
16	63	22000270	BUFFER SEAL	1	
17	65	22402210	O-RING	4	
18	71	22405650	BACK UP RING	1	
19	72	22402110	O-RING	1	
20	73	22402080	O-RING	2	
MEMO					

■ HK500 TOOL KIT

No.	Part No.	Part Name	Q'ty			Remarks
			Side	Top	Silence	
0	-	TOOL KIT	DF691600	DF691700	DF691800	HK500
1	16502990	TOOL BOX	1	1	1	No 1.
2	16500260	COMBI SPANNER	1	1	1	14mm
3	16500370	COMBI SPANNER	1	1	1	32mm
4	16502580	SINGLE SPANNER	1	1	1	50mm
5	16502100	DOUBLE SPANNER	1	1	1	27x30mm
6	16501140	L WRENCH	1	1	1	5mm
7	16501180	L WRENCH	1	1	1	12mm
8	16501190	L WRENCH	1	1	1	14mm
9	16501210	L WRENCH	1	1	1	19mm
10	16500780	HAMMER RING WRENCH	1	1	1	80mm
11	16503090	HANDLE RETAINER PIN	1	1	1	M12
12	16500800	HAMMER RING WRENCH	1	1	-	90mm
13	16500730	HAMMER RING WRENCH	-	1	1	55mm

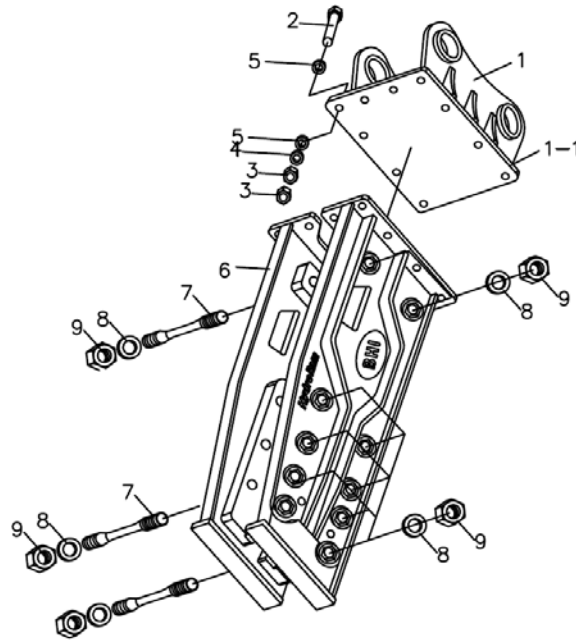
■ HK500 N2 GAS CHARGING KIT

No.	Part No.	Part Name	Q'ty	MEMO
0	DA698000	N ₂ GAS CHARGING KIT	1	
1	13105900	N ₂ GAS 3-WAY VALVE ASSEMBLY	1	
2	16802000	N ₂ HOSE	1	
3	13105910	N ₂ COUPLING KIT	1	
4	13105920	N ₂ GAS CYLINDER	1	

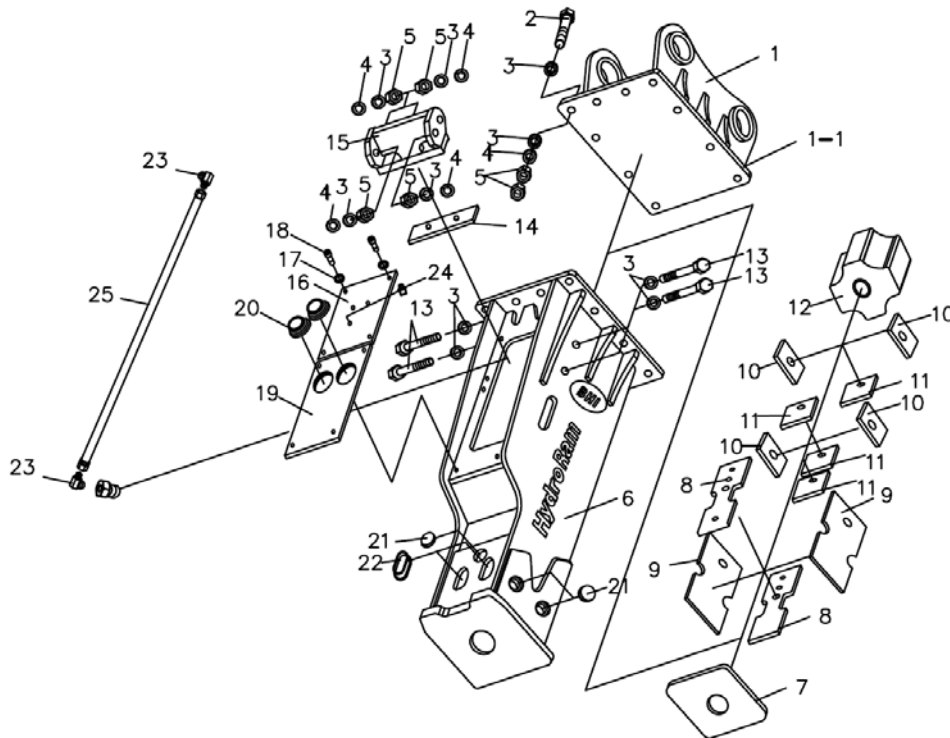
■ HK500 BRACKET

HK500

TOP BRACKET



SILENT BRACKET



■ HK500 BRACKET

■ HK500 TOP BRACKET				■ HK500S SILENT BRACKET			
NO.	Part No.	Part Name	Q'ty	No	Part No.	Part Name	Q'ty
0	DF200000	TOP BRACKET ASSEMBLY	1	0	DF300000	SILENCE BRACKET ASSEMBLY	1
1	DF300020	REAR BRACKET	1	1	DF300020	REAR BRACKET	1
2	20009850	HEX HEAD BOLT	12	2	20009850	HEX HEAD BOLT	12
3	12001510	HEX HEAD NUT	24	3	13000150	FLAT WASHER	32
4	13001160	SPRING WASHER	12	4	13001160	SPRING WASHER	16
5	13000150	FLAT WASHER	24	5	12001510	HEX HEAD NUT	28
6	DF200130	TOP BRACKET	1	6	DF300010	SILENCE BRACKET BODY	1
7	DF100060	SET BOLT	8	7	DF300480	DOWN CUSHION	1
8	DC100080	SET BOLT WASHER	16	8	DF300080	LOW FRONT WEAR PLATE	2
9	DC100070	SET BOLT NUT	16	9	DF300070	LOW SIDE WEAR PLATE	2
-	DF693000	SET BOLT SET	-	10	DF300050	SIDE WEAR PLATE	4
-	DF695100	DECAL KIT	-	11	DF300060	FRONT WEAR PLATE	4
MEMO				12	DF300430	UPPER CUSHION	1
				13	20009810	HEX HEAD BOLT	4
				14	DF300040	SUPPORT WEAR PLATE	1
				15	DF300030	SUPPORT MIDDLE BLOCK	1
				16	DF300100	UPPER COVER	1
				17	13000100	FLAT WASHER	8
				18	20212490	HEX SOCKET HEAD BOLT	8
				19	DF300090	DOWN COVER	1
				20	13008030	HOSE PROTECT	2
				21	D9300070	RUBBER CAP-S	5
				22	DA300140	RUBBER CAP-F	4
				23	13009200	ELBOW	2
				24	13007810	GREASE NIPPLE	1
				25	16802000	HOSE	1
				-	DF695200	DECAL KIT	-
				MEMO			