

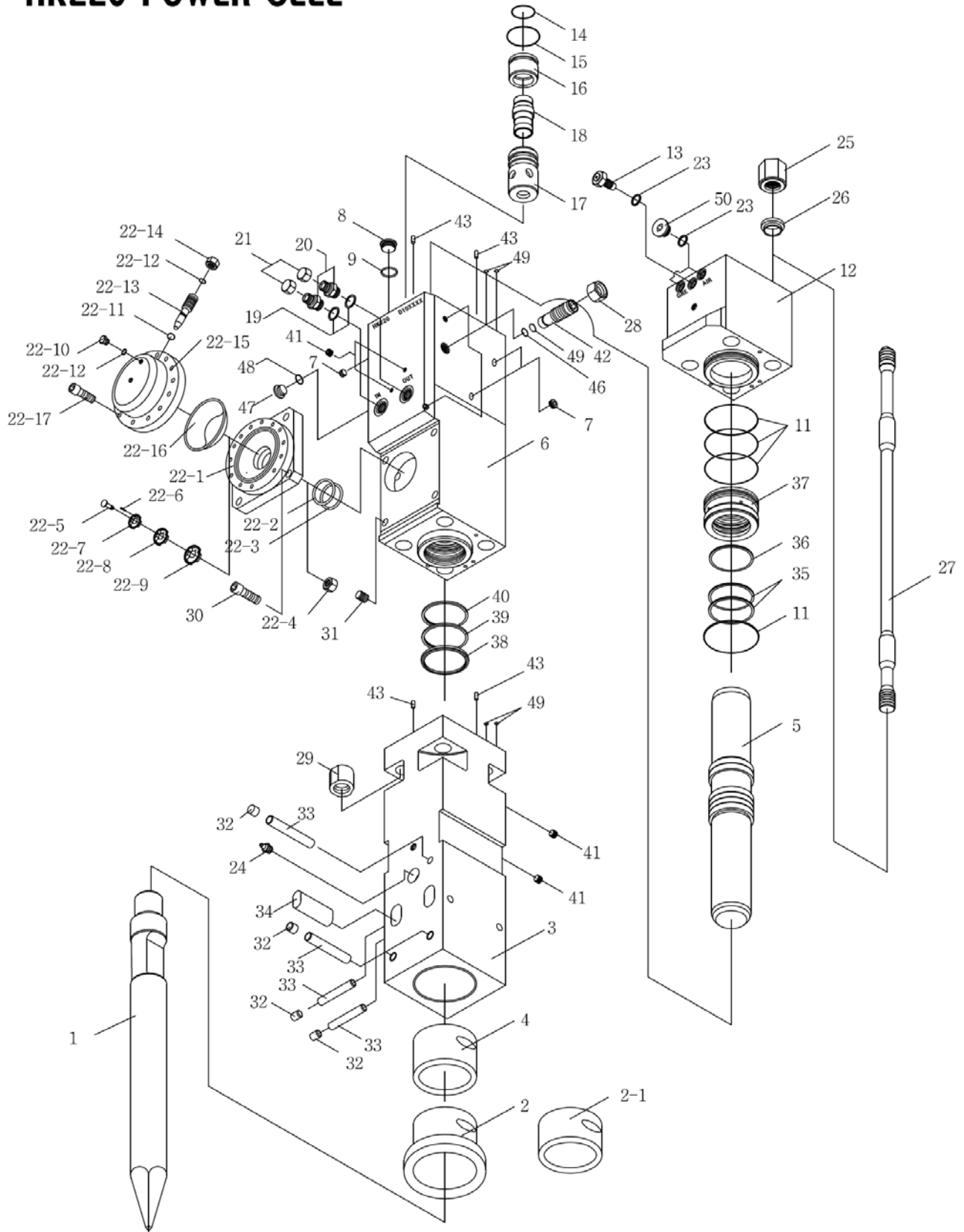


# BHI HydroRam Hydraulic Hammer

## HK220 Parts List

■ HK220 POWER CELL

HK220 POWER CELL



## ■ HK220 POWER CELL

No.	Part No.	Part Name	Q'ty	No.	Part No.	Part Name	Q'ty
0	DA000920	POWER CELL ASSEMBLY	1	22-3	22401430	O-RING	1
1	DA000050	TOOL (MOIL TYPE)	1	22-4	DA000440	LOCK NUT	1
1-1	DA000080	TOOL (H-WEDGE TYPE)	0	22-5	DG000450	ORIFICE(A)	1
1-2	DA000070	TOOL (V-WEDGE TYPE)	0	22-6	DG000490	HOLDER PIN	1
1-3	DA000090	TOOL (FLAT TYPE)	0	22-7	DG000460	ORIFICE(B)	1
1-4	DA000060	TOOL (CONE TYPE)	0	22-8	DG000470	ORIFICE(C)	1
2	DA000170	TOOL HOLDER BUSHING	1	22-9	DG000480	ORIFICE(D)	1
2-1	DA000550	TOOL HOLDER BUSHING (SILENT TYPE)	1	22-10	DA000510	O-RING CAP	1
3	DA000780	TOOL HOLDER	1	22-11	22401930	O-RING	1
4	DA000190	ROUND BUSHING	1	22-12	22402040	O-RING	2
5	DA000200	PISTON	1	22-13	DC000330	CHARGING VALVE	1
6	DA000910	CYLINDER	1	22-14	DC000320	O-RING PLUG	1
7	13006010	PT SOCKET PLUG	4	22-15	DG000210	ACCUMULATOR COVER	1
8	DA000240	PF3/4 SOCKET PLUG	3	22-16	DG000410	DIAPHRAGM	1
9	22402110	O-RING	3	22-17	20215100	HEX SOCKET HEAD BOLT	12
10	-	-	-	23	22402070	O-RING	3
11	22401600	O-RING	4	24	13007810	GREASE NIPPLE	1
12	DA000800	HEAD CAP	1	25	DA000830	TOP NUT	4
13	D7000200	GAS VALVE ASSEMBLY	1	26	DA000840	TOP NUT WASHER	4
14	22401360	O-RING	1	27	DA000820	TENSION BOLT	4
15	22401410	O-RING	1	28	12002410	HEX HEAD NUT	1
16	DA000250	MAIN VALVE CAP	1	29	DA000850	BOTTOM NUT	4
17	DA000260	MAIN VALVE CASE	1	30	20213600	HEX SOCKET HEAD BOLT	4
18	DA000270	MAIN VALVE	1	31	13102800	HELI SERT COIL SPRING	4
19	22402160	O-RING	2	32	13007320	RUBBER PLUG	5
20	13008870	O-RING ADAPTER	2	33	DA000360	STOP PIN	5
21	13007150	UNION CAP	2	34	DA000370	RETAINER PIN	2
22	DG000350	ACCUMULATOR ASSEMBLY	1	35	22300070	STEP SEAL	2
22-1	DG000220	ACCUMULATOR BODY	1	36	22200080	GAS SEAL	1
22-2	22500260	BACK UP RING	1	37	DA000380	CYLINDER BUSHING	1

## ■ HK220 POWER CELL

No.	Part No.	Part Name	Q'ty	MEMO
38	22002690	DUST SEAL	1	
39	22003940	U-PACKING SEAL	1	
40	22000230	BUFFER SEAL	1	
41	13006030	PT SOCKET PLUG	4	
42	DA000860	ADJUSTER VALVE	1	
43	D9000050	PIN	4	
*44	16800190	SPRING HOSE	2	
*45	13006570	HOSE PLUG	2	
46	22405650	BACK UP RING	1	
47	DD000230	M32 SOCKET PLUG	1	
48	22402150	O-RING	1	
49	22402060	O-RING	5	
50	DA000400	PF1/2 SOCKET PLUG	2	
-	-	-	-	
-	DA691000	HEAD CAP SET	-	
-	DA691100	CYLINDER SET	-	
-	DA691200	TOOL HOLDER SET	-	
-	DA691400	TENSION BOLT SET	-	
-	DA691510	SPARE SEAL KIT	-	
-	DG000350	ACCUMULATOR ASSEMBLY	-	
-	DA698000	N <sub>2</sub> GAS CHARGING KITS	-	
MEMO				

## ■ HK220 SPARE SEAL KIT

No.	Item No.	Part No.	Part Name	Q'ty	MEMO
0	0	DA691510	SPARE SEAL KIT	1	
1	9	22402110	O-RING	3	
2	11	22401600	O-RING	4	
3	14	22401360	O-RING	1	
4	15	22401410	O-RING	1	
5	19	22402160	O-RING	2	
6	22-2	22500260	BACK UP RING	1	
7	22-3	22401430	O-RING	1	
8	22-11	22401930	O-RING	1	
9	22-12	22402040	O-RING	2	
10	23	22402060	O-RING	3	
11	35	22300070	STEP SEAL	2	
12	36	22200080	GAS SEAL	1	
13	38	22002690	DUST SEAL	1	
14	39	22003940	U-PACKING SEAL	1	
15	40	22000230	BUFFER SEAL	1	
16	46	22405650	BACK UP RING	1	
17	48	22402150	O-RING	1	
18	49	22402060	O-RING	5	
MEMO					

## ■ HK220 TOOL KIT

No.	Part No.	Part Name	Q'ty			Remarks
			Side	Top	Silence	
0	-	TOOL KITS	DA691600	DA691710	DA691810	HK220
1	16502990	TOOL BOX	1	1	1	No1.
2	16500260	COMBI SPANNER	1	1	1	14mm
3	16502510	SINGLE SPANNER	1	1	1	32mm
4	16502530	SINGLE SPANNER	1	1	1	41mm
5	16502100	DOUBLE SPANNER	1	1	1	27X30mm
6	16501140	L WRENCH	1	1	1	5mm
7	16501170	L WRENCH	1	1	1	10mm
8	16501190	L WRENCH	1	1	1	14mm
9	16501210	L WRENCH	1	1	1	19mm
10	16500760	HAMMER RING WRENCH	1	1	1	70mm
11	16503090	HAND RETAINER PIN	1	1	1	M12
12	16500710	HAMMER RING WRENCH	-	1	1	46mm
13	16500770	HAMMER RING WRENCH	1	1	-	75mm

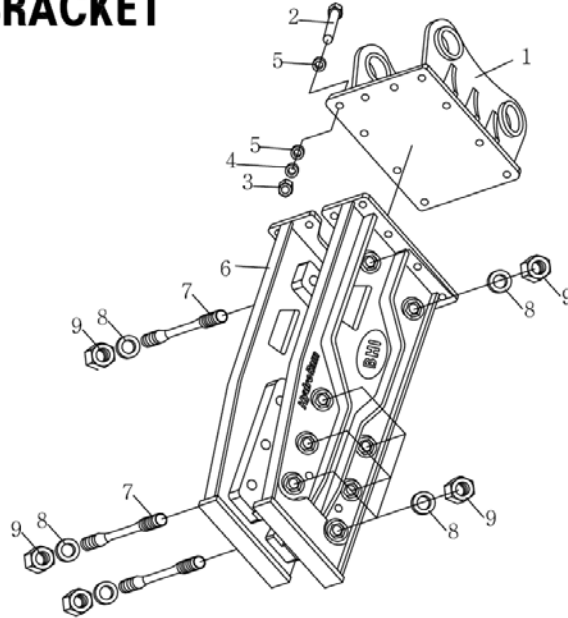
## ■ HK220 N2 GAS CHARGING KIT

No.	Part No.	Part Name	Q'ty	MEMO
0	DA698000	N <sub>2</sub> GAS CHARGING KIT	1	
1	13105900	N <sub>2</sub> GAS 3-WAY VALVE ASSEMBLY	1	
2	16802000	N <sub>2</sub> HOSE	1	
3	13105910	N <sub>2</sub> COUPLING KIT	1	
4	13105920	N <sub>2</sub> GAS CYLINDER	1	

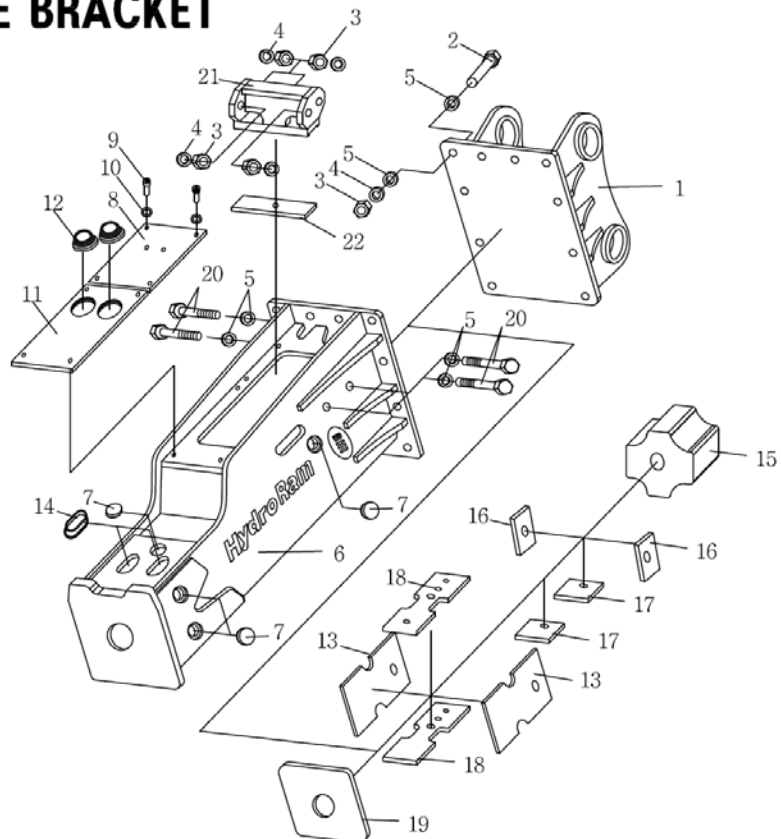
■ HK220 BRACKET

HK220

HK220 TOP BRACKET



HK220S SILENCE BRACKET



## ■ HK220 BRACKET

■HK220 TOP BRACKET				■HK220S SILENCE BRACKET			
No.	Part No.	Part Name	Q'ty	No.	Part No.	Part Name	Q'ty
0	DA200000	TOP BRACKET ASSEMBLY	1	0	DA300870	SILENT BRACKET ASSEMBLY	1
1	DA200080	REAR BRACKET	1	1	DA300970	REAR BRACKET	1
2	20009410	HEX HEAD BOLT	12	2	20009410	HEX HEAD BOLT	12
3	12001610	HEX HEAD NUT	12	3	12001610	HEX HEAD NUT	16
4	13001150	SPRING WASHER	12	4	13001150	SPRING WASHER	16
5	13000140	FLAT WASHER	24	5	13000140	FLAT WASHER	32
6	DA200130	TOP BRACKET	1	6	DA300880	SILENCE BRACKET BODY	1
7	DA200140	SET BOLT	8	7	D9300070	RUBBER CAP-S	6
8	DG200040	SET BOLT WASHER	16	8	DA300950	UPPER COVER	1
9	DG200030	SET BOLT NUT	16	9	20211760	HEX SOCKET HEAD BOLT	8
-	DA693000	SET BOLT SET	-	10	13000080	FLAT WASHER	8
-	DA695100	DECAL KIT	-	11	DA300990	DOWN COVER	1
MEMO				12	13008020	HOSE PROTECT	2
				13	DA300930	LOW SIDE WEAR PLATE	2
				14	D8300130	RUBBER CAP-F	4
				15	DA300470	UPPER CUSHION PLATE	1
				16	DA300900	SIDE WEAR PLATE	2
				17	DA300910	FRONT WEAR PLATE	2
				18	DA300920	LOW FRONT WEAR PLATE	2
				19	DA300380	DOWN CUSHION PLATE	1
				20	20009430	HEX HEAD BOLT	4
				21	DA300960	SUPPORT MIDDLE BLOCK	1
				22	DA300890	SUPPORT WEAR PLATE	1
				-	DA695200	DECAL KIT	-
				MEMO			