

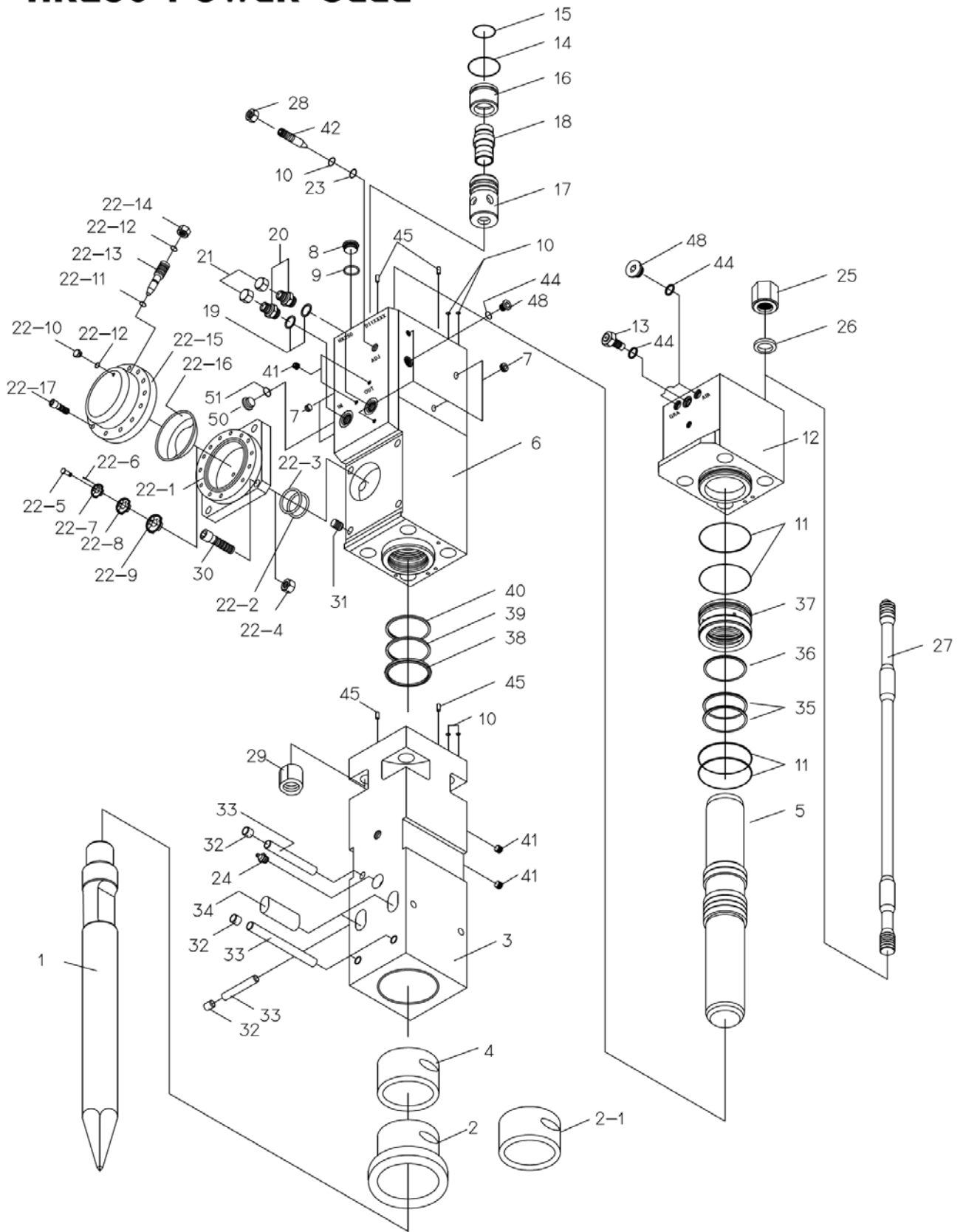


BHI HydroRam Hydraulic Hammer

HK250 Parts List

■ HK250 POWER CELL

HK250 POWER CELL



■ HK250 POWER CELL

No.	Part No.	Part Name	Q'ty	No.	Part No.	Part Name	Q'ty
0	DB000000	POWER CELL ASSEMBLY	1	22-2	22409600	BACK UP RING	1
1	DB000220	TOOL(MOIL)	1	22-3	22402540	O-RING	1
1-1	DB000250	TOOL(H-WEDGE)	0	22-4	DA000440	LOCK NUT	1
1-2	DB000240	TOOL(V-WEDGE)	0	22-5	DG000450	ORIFICE(A)	1
1-3	DB000260	TOOL(FLAT)	0	22-6	DG000490	HOLDER PIN	1
1-4	DB000230	TOOL(CONE)	0	22-7	DG000460	ORIFICE(B)	1
2	DB000130	TOOL HOLDER BUSHING	1	22-8	DG000470	ORIFICE(C)	1
2-1	DB000280	TOOL HOLDER BUSHING (SILENT TYPE)	1	22-9	DG000480	ORIFICE(D)	1
3	DB000110	TOOL HOLDER	1	22-10	DA000510	O-RING CAP	1
4	DB000120	ROUND BUSHING	1	22-11	22401930	O-RING	1
5	DB000060	PISTON	1	22-12	22402040	O-RING	2
6	DB000370	CYLINDER	1	22-13	DC000330	CHARGING VALVE	1
7	13006010	PT SOCKET PLUG	6	22-14	DC000320	O-RING PLUG	1
8	DA000240	PF3/4 SOCKET PLUG	3	22-15	DC000350	ACCUMULATOR COVER	1
9	22402110	O-RING	3	22-16	DC000360	DIAPHRAGM	1
10	22402140	O-RING	5	22-17	20212100	HEX SOCKET HEAD BOLT	16
11	22401630	O-RING	4	23	22405650	BACK UP RING	1
12	DB000290	HEAD CAP	1	24	13007810	GREASE NIPPLE	1
13	D7000200	GAS VALVE ASSEMBLY	1	25	DB000350	TOP NUT	4
14	22401430	O-RING	1	26	DB000180	TOP NUT WASHER	4
15	22401350	O-RING	1	27	DB000340	TENSION BOLT	4
16	DB000100	MAIN VALVE CAP	1	28	12002410	HEX HEAD NUT	1
17	DB000080	MAIN VALVE CASE	1	29	DB000360	BOTTOM NUT	4
18	DB000090	MAIN VALVE	1	30	20213620	HEX SOCKET HEAD BOLT	4
19	22402260	O-RING	2	31	13102810	HELI COIL SPRING	4
20	13008890	O-RING ADAPTER	2	32	13007320	RUBBER PLUG	5
21	13007170	UNION CAP	2	33	DB000140	STOP PIN	5
22	DC000830	ACCUMULATOR ASSEMBLY	1	34	DB000150	RETAINER PIN	2
22-1	DC000840	ACCUMULATOR BODY	1	35	22300110	STEP SEAL	2

■ HK250 POWER CELL

No.	Part No.	Part Name	Q'ty	MEMO
36	22200120	GAS SEAL	1	
37	DB000070	CYLINDER BUSHING	1	
38	22002710	DUST SEAL	1	
39	22003960	U PACKING SEAL	1	
40	22000240	BUFFER SEAL	1	
41	13006030	PT SOCKET PLUG	8	
42	DF000590	ADJUSTER VALVE	1	
43	-	-	-	
44	22402070	O-RING	4	
45	D9000050	PIN	4	
*46	16800240	SPRING HOSE	2	
*47	13006590	HOSE PLUG	2	
48	DA000400	PF1/2 SOCKET PLUG	3	
49	-	-	-	
50	DD000230	M32 SOCKET PLUG-	1	
51	22402150	O-RING	1	
-	-	-	-	
-	DB691000	HEAD CAP SET	-	
-	DB691100	CYLINDER SET	-	
	DB691200	TOOL HOLDER SET		
-	DB691400	TENSION BOLT SET	-	
-	DB691500	SPARE SEAL KIT	-	
-	DC000830	ACCUMULATOR ASSEMBLY	-	
-	D5698000	N ₂ GAS CHARGING KIT	-	
MEMO				

■ HK250 SPARE SEAL KIT

No.	Item No.	Part No.	Part Name	Q'ty	MEMO
0	0	DD691500	SPARE SEAL KIT	1	
1	9	22402110	O-RING	3	
2	10	22402140	O-RING	5	
3	11	22401630	O-RING	4	
4	14	22401430	O-RING	1	
5	15	22401350	O-RING	1	
6	19	22402260	O-RING	2	
7	22-2	22409600	BACK UP RING	1	
8	22-3	22402540	O-RING	1	
9	22-11	22401930	O-RING	1	
10	22-12	22402040	O-RING	2	
11	23	22405650	BACK UP RING	1	
12	35	22300110	STEP SEAL	2	
13	36	22200120	GAS SEAL	1	
14	38	22002710	DUST SEAL	1	
15	39	22003960	U PACKING SEAL	1	
16	40	22000240	BUFFER SEAL	1	
17	43	22401980	O-RING	2	
18	44	22402070	O-RING	4	
19	51	22402150	O-RING	1	

■ HK250 TOOL KIT

No.	Part No.	Part Name	Q'ty			Remarks
			Side	Top	Silence	
0	-	TOOL KIT	DB691600	DB691700	DB691800	HK250
1	16502990	TOOL BOX	1	1	1	No1.
2	16500260	COMBI SPANNER	1	1	1	14mm
3	16502580	SINGLE SPANNER	1	1	1	50mm
4	16502100	DOUBLE SPANNER	1	1	1	27X30mm
5	16501140	L WRENCH	1	1	1	5mm
6	16501190	L WRENCH	1	1	1	14mm
7	16501210	L WRENCH	1	1	1	19mm
8	16501170	L WRENCH	1	1	1	10mm
9	16503090	HANDLE RETAINER PIN	1	1	1	M12
10	16500770	HAMMER RING WRENCH	1	1	1	75mm
11	16500800	HAMMER RING WRENCH	1	1	-	90mm
12	16500730	HAMMER RING WRENCH	-	1	1	55mm

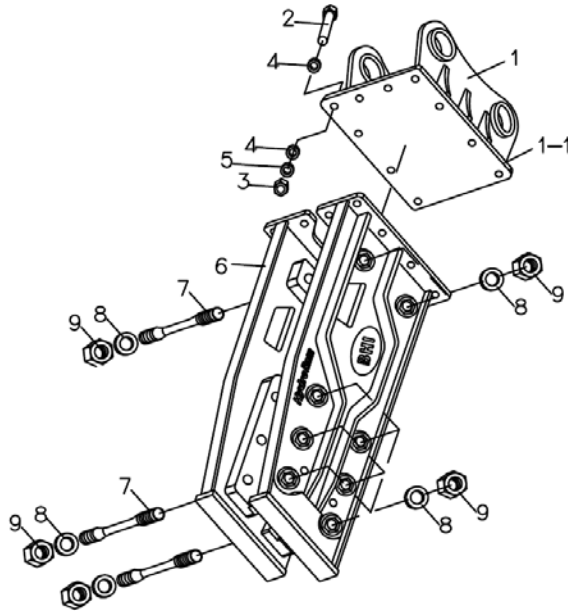
■ HK250 N2 GAS CHARGING KIT

No.	Part No.	Part Name	Q'ty	MEMO
0	DA698000	N ₂ GAS CHARGING KIT	1	
1	13105900	N ₂ GAS 3-WAY VALVE ASSEMBLY	1	
2	16802000	N ₂ HOSE	1	
3	13105910	N ₂ COUPLING KIT	1	
4	13105930	N ₂ GAS CYLINDER	1	

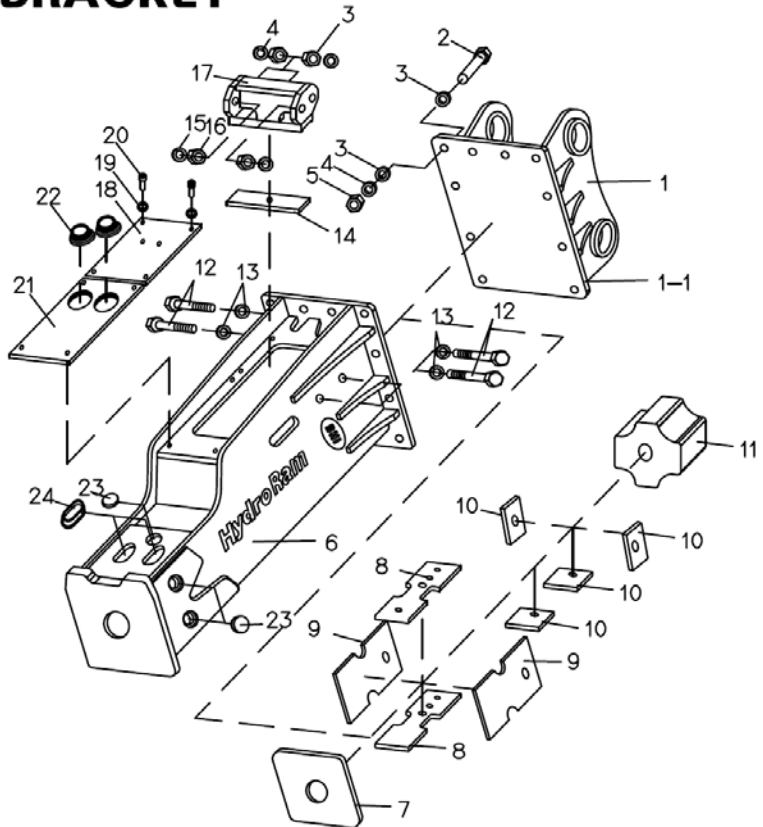
■ HK250 BRACKET

HK250

HK250 TOP BRACKET



HK250S SILENT BRACKET



■ HK250 BRACKET

■ HK250 TOP BRACKET				■ HK250S SILENT BRACKET			
No.	Part No.	Part Name	Q'ty	No.	Part No.	Part Name	Q'ty
0	DD200000	TOP BRACKET ASSEMBLY	1	0	DB300000	SILENCE BRACKET ASSEMBLY	1
1	DD300050	REAR BRACKET	1	1	DD300050	REAR BRACKET	1
2	20009790	HEX HEAD BOLT	12	2	20009790	HEX HEAD BOLT	12
3	12001510	HEX HEAD NUT	12	3	13000150	FLAT WASHER	24
4	13000150	FLAT WASHER	24	4	13001160	SPRING WASHER	12
5	13001160	SPRING WASHER	12	5	12001510	HEX HEAD NUT	12
6	DB200050	TOP BRACKET	1	6	DB300010	SILENCE BRACKET BODY	1
7	DC100060	SET BOLT	8	7	DB300290	DOWN CUSHION PLATE	1
8	DD100080	SET BOLT WASHER	16	8	DB300050	LOW FRONT WEAR PLATE	2
9	DB200110	SET BOLT NUT	16	9	DB300060	LOW SIDE WEAR PLATE	2
-	DD693000	SET BOLT SET	-	10	DB300840	SIDE WEAR PLATE	6
-	DB695100	DECAL KIT	-	11	DC300530	UPPER CUSHION PLATE	1
MEMO				12	20009430	HEX HEAD BOLT	4
				13	13000140	FLAT WASHER	4
				14	DA300890	SUPPORT WEAR PLATE	1
				15	13001150	SPRING WASHER	4
				16	12001830	HEX HEAD NUT	4
				17	DB300040	SUPPORT MIDDLE BLOCK	1
				18	DB300030	UPPER COVER PLATE	1
				19	10300080	FLAT WASHER	8
				20	20211760	SOCKET HEAD BOLT	8
				21	DB300020	DOWN COVER	1
				22	13008030	HOSE PROTECT	2
				23	D9300070	RUBBER CAP-S	4
				24	D8300130	RUBBER CAP-F	4
				-	DB695200	DECAL KIT	-
				MEMO			