

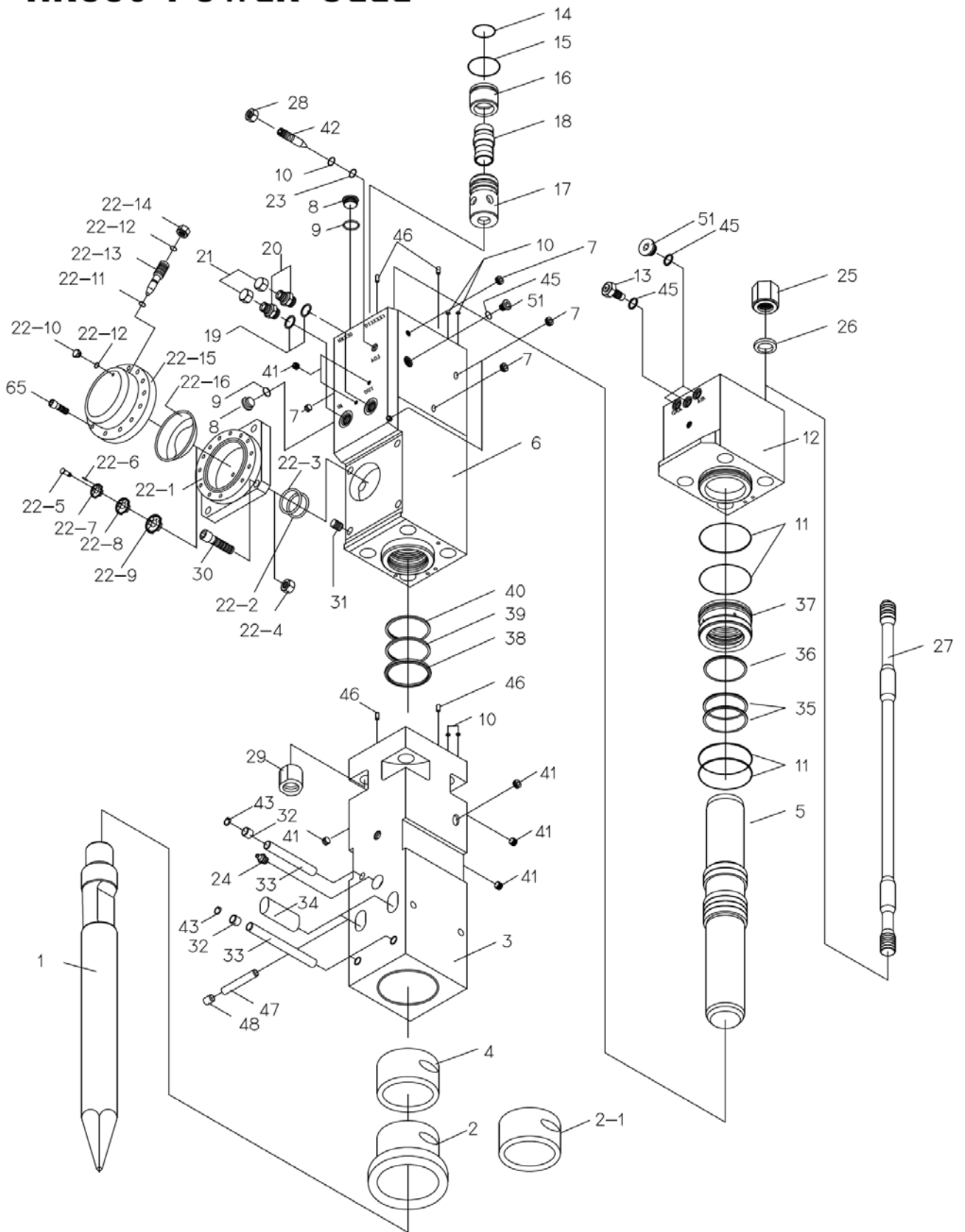


BHI HydroRam Hydraulic Hammer

HK330 Parts List

■ HK330 POWER CELL

HK330 POWER CELL



■ HK330 POWER CELL

No.	Part No.	Part Name	Q'ty	No.	Part No.	Part Name	Q'ty
0	DD000000	POWER CELL ASSEMBLY	1	22-6	DG000490	HOLDER PIN	1
1	DD000050	TOOL(MOIL)	1	22-7	DG000460	ORIFICE(B)	1
1-1	DD000080	TOOL(H-WEDGE)	0	22-8	DG000470	ORIFICE(C)	1
1-2	DD000090	TOOL(V-WEDGE)	0	22-9	DG000480	ORIFICE(D)	1
1-3	DD000070	TOOL(FLAT)	0	22-10	DA000510	O-RING CAP	1
1-4	DD000060	TOOL(CONE)	0	22-11	22401930	O-RING	1
2	DD000170	TOOL HOLDER BUSHING	1	22-12	22402040	O-RING	2
2-1	DD000330	TOOL HOLDER BUSHING (SILENT TYPE)	1	22-13	DC000330	CHARGING VALVE	1
3	DD000180	TOOL HOLDER	1	22-14	DC000320	O-RING PLUG	1
4	DD000190	ROUND BUSHING	1	22-15	DC000350	ACCUMULATOR COVER	1
5	DD000200	PISTON	1	22-16	DC000360	DIAPHRAGM	1
6	DD000450	CYLINDER	1	22-17	20212100	HEX SOCKET HEAD BOLT	16
7	13006010	PT SOCKET PLUG	5	23	22405650	BACK UP RING	1
8	DF000050	M36 SOCKET PLUG	4	24	13007810	GREASE NIPPLE	1
9	22402210	O-RING	4	25	DD000470	TOP NUT	4
10	22402140	O-RING	5	26	DD000480	TOP NUT WASHER	4
11	22401660	O-RING	4	27	DD000460	TENSION BOLT	4
12	DD000240	HEAD CAP	1	28	12002410	HEX HEAD NUT	1
13	D7000200	GAS VALVE ASSEMBLY	1	29	DD000490	BOTTOM NUT	4
14	22401410	O-RING	1	30	20213620	HEX SOCKET HEAD BOLT	4
15	22401430	O-RING	1	31	13102810	HELI COIL SPRING	4
16	DD000250	MAIN VALVE CAP	1	32	13007340	RUBBER PLUG	5
17	DD000260	MAIN VALVE CASE	1	33	DC000420	STOP PIN	5
18	DD000270	MAIN VALVE	1	34	DC000430	RETAINER PIN	2
19	22402260	O-RING	2	35	22300080	STEP SEAL	2
20	13008890	O-RING ADAPTER	2	36	22200160	GAS SEAL	1
21	13007170	UNION CAP	2	37	DD000310	CYLINDER BUSHING	1
22	DC000830	ACCUMULATOR ASSEMBLY	1	38	22002740	DUST SEAL	1
22-1	DC000840	ACCUMULATOR BODY	1	39	22003980	U PACKING SEAL	1
22-2	22409600	BACK UP RING	1	40	22000250	BUFFER SEAL	1
22-3	22402540	O-RING	1	41	13006030	PT SOCKET PLUG	8
22-4	DA000440	LOCK NUT	1	42	DD000430	ADJUSTER VALVE	1
22-5	DG000450	ORIFICE(A)	1	43	13003160	SNAP RING	3

■ **HK330 POWER CELL**

No.	Part No.	Part Name	Q'ty	MEMO
44	-	-	-	
45	22402070	O-RING	4	
46	D9000050	PIN	4	
*49	16800030	SPRING HOSE	2	
*50	13006590	HOSE PLUG	2	
51	DA000400	PF1/2 SOCKET PLUG	3	
-	-	-	-	
-	DD691000	HEAD CAP SET	-	
-	DD691100	CYLINDER SET	-	
	DD691200	TOOL HOLDER SET		
-	DD691410	TENSION BOLT SET	-	
-	DD691510	SPARE SEAL KIT	-	
-	DC000830	ACCUMULATOR ASSEMBLY	-	
-	D5698000	N ₂ GAS CHARGING KIT	-	
MEMO				

■ HK330 SPARE SEAL KIT

No.	Item No.	Part No.	Part Name	Q'ty	MEMO
0	0	DD691510	SPARE SEAL KIT	1	
1	9	22402210	O-RING	4	
2	10	22402140	O-RING	5	
3	11	22401660	O-RING	4	
4	14	22401410	O-RING	1	
5	15	22401430	O-RING	1	
6	19	22402260	O-RING	2	
7	22-2	22409600	BACK UP RING	1	
8	22-3	22402540	O-RING	1	
9	22-11	22401930	O-RING	1	
10	22-22	22402040	O-RING	2	
11	23	22405650	BACK UP RING	1	
12	35	22300080	STEP SEAL	2	
13	36	22200160	GAS SEAL	1	
14	38	22002740	DUST SEAL	1	
15	39	22003980	U PACKING SEAL	1	
16	40	22000250	BUFFER SEAL	1	
17	44	22401980	O-RING	2	
18	45	22402070	O-RING	4	
MEMO					

■ HK330 TOOL KIT

No.	Part No.	Part Name	Q'ty			Remarks
			Side	Top	Silence	
0	-	TOOL KIT	DD691600	DD691700	DD691800	HK330
1	16502990	TOOL BOX	1	1	1	No1.
2	16500260	COMBI SPANNER	1	1	1	14mm
3	16502580	SINGLE SPANNER	1	1	1	50mm
4	16500370	SINGLE SPANNER	1	1	1	32mm
5	16502100	DOUBLE SPANNER	1	1	1	27X30mm
6	16501140	L WRENCH	1	1	1	5mm
7	16501190	L WRENCH	1	1	1	14mm
8	16501210	L WRENCH	1	1	1	19mm
9	16501170	L WRENCH	1	1	1	10mm
10	16503090	HANDLE RETAINER PIN	1	1	1	M12
11	16500770	HAMMER RING WRENCH	1	1	1	75mm
12	16500800	HAMMER RING WRENCH	1	1	-	90mm
13	16500730	HAMMER RING WRENCH	-	1	1	55mm

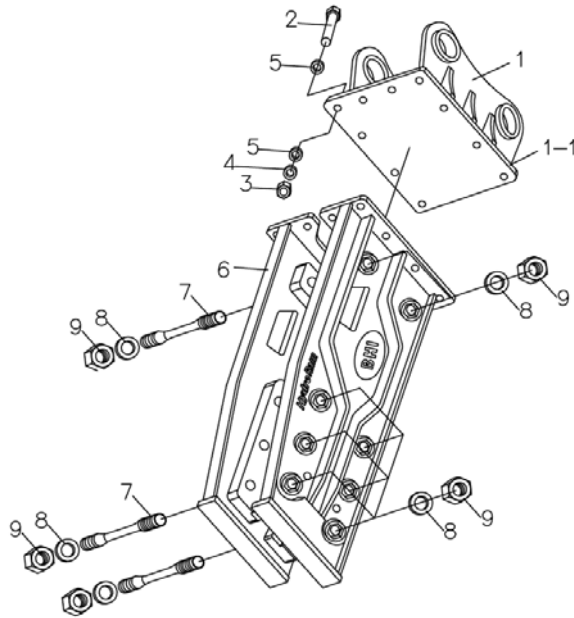
■ HK330 N2 GAS CHARGING KIT

No.	Part No.	Part Name	Q'ty	MEMO
0	DA698000	N ₂ GAS CHARGING KIT	1	
1	13105900	N ₂ GAS 3-WAY VALVE ASSEMBLY	1	
2	16802000	N ₂ HOSE	1	
3	13105910	N ₂ COUPLING KIT	1	
4	13105930	N ₂ GAS CYLINDER	1	

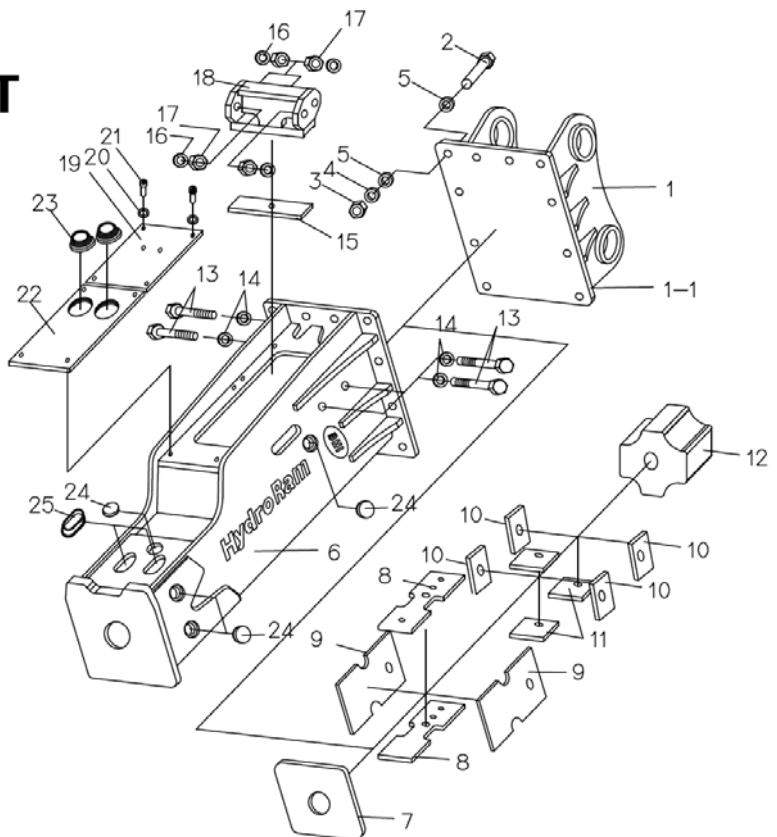
■ HK330 BRACKET

HK330

TOP BRACKET



SILENT BRACKET



■ HK330 BRACKET

■ HK330 TOP BRACKET				■ HK330S SILENT BRACKET			
No.	Part No.	Part Name	Q'ty	No.	Part No.	Part Name	Q'ty
0	DD200000	TOP BRACKET ASSEMBLY	1	0	DD300000	SILENCE BRACKET ASSEMBLY	1
1	DD300050	REAR BRACKET	1	1	DD300050	REAR BRACKET	1
2	20009790	HEX HEAD BOLT	12	2	20009790	HEX HEAD BOLT	12
3	12001510	HEX HEAD NUT	12	3	13000150	FLAT WASHER	24
4	13000150	FLAT WASHER	24	4	13001160	SPRING WASHER	12
5	13001160	SPRING WASHER	12	5	12001510	HEX HEAD NUT	12
6	DD200050	TOP BRACKET	1	6	DD300010	SILENCE BRACKET BODY	1
7	DD200090	SET BOLT	8	7	DD300210	DOWN CUSHION PLATE	1
8	DC100080	SET BOLT WASHER	16	8	DD300830	LOW FRONT WEAR PLATE	2
9	DC100070	SET BOLT NUT	16	9	DD300820	LOW SIDE WEAR PLATE	2
-	DD693010	SET BOLT SET	-	10	DC300840	SIDE WEAR PLATE	4
-	DD695100	DECAL KIT	-	11	DC300850	FRONT WEAR PLATE	3
MEMO				12	DC300530	UPPER CUSHION PLATE	1
				13	20009430	HEX HEAD BOLT	4
				14	13000140	FLAT WASHER	4
				15	DC300920	SUPPORT WEAR PLATE	1
				16	13001150	SPRING WASHER	4
				17	12001500	HEX HEAD NUT	4
				18	DD300860	SUPPORT MIDDLE BLOCK	1
				19	DD300900	UPPER COVER	1
				20	13000080	FLAT WASHER	8
				21	20211760	SOCKET HEAD BOLT	8
				22	DD300910	DOWN COVER	1
				23	13008030	HOSE PROTECT	2
				24	D9300070	RUBBER CAP-S	6
				25	D8300130	RUBBER CAP-F	4
				-	DD695200	DECAL KIT	-
				MEMO			