



BHI

HydroRam

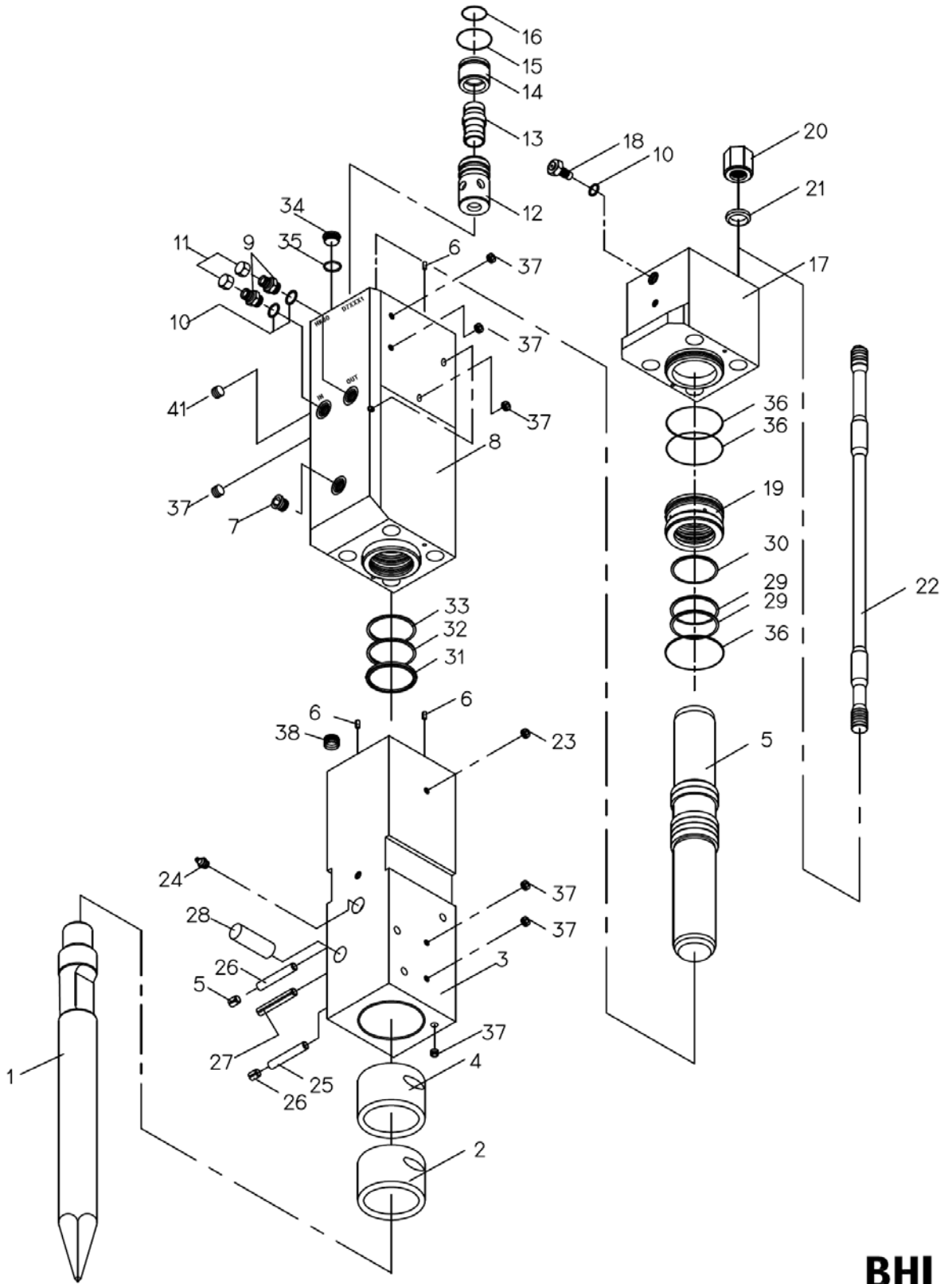
Hydraulic Hammer

HK40

Parts List

HK40 POWER CELL PART LIST

HK40 POWER CELL



BHI

■ HK40 POWER CELL PART LIST

No.	Part No.	Part Name	Q'ty	No.	Part No.	Part Name	Q'ty
0	D4000000	POWER CELL ASSEMBLY	1	23	D4000230	ORIFICE SOCKET PLUG	1
1	D4000050	TOOL(MOIL)	1	24	13007810	GREASE NIPPLE	1
1-1	D4000060	TOOL(H-WEDGE)	0	25	D4000240	STOP PIN	2
1-2	D4000070	TOOL(V-WEDGE)	0	26	D4000250	SPRING PIN	2
1-3	D4000080	TOOL(FLAT)	0	27	D4000260	SPRING PIN	1
1-4	D4000090	TOOL(CONE)	0	28	D4000270	RETAINER PIN	1
1-5	D4000100	TOOL(SPADE H-WEDGE)	0	29	22300020	STEP SEAL	2
1-6	D4000110	TOOL(SPADE V-WEDGE)	0	30	22200030	GAS SEAL	1
2	D4000140	TOOL HOLDER BUSHING	1	31	22002510	DUST SEAL	1
3	D4000150	TOOL HOLDER	1	32	22003760	U PACKING SEAL	1
4	D4000160	ROUND BUSHING	1	33	22000080	BUFFER SEAL	1
5	D4000320	PISTON	1	34	D4000280	M18 SOCKET PLUG	3
6	D9000050	PIN	2	35	22402060	O-RING	3
7	13006040	PT SOCKET PLUG	1	36	22401460	O-RING	3
8	D4000180	CYLINDER	1	37	13006010	PT SOCKET PLUG	8
9	13008830	O-RING ADAPTER	2	38	13103210	HELI SERT COIL SPRING	4
10	22402070	O-RING	3	*39	16800010	SPRING HOSE	2
11	13007110	UNION CAP	2	*40	13006530	HOSE PLUG	2
12	D5000230	MAIN VALVE CASE	1	41	13006020	PT SOCKET PLUG	1
13	D5000240	MAIN VALVE	1	-	D4691000	HEAD CAP SET	-
14	D5000220	MAIN VALVE CAP	1	-	D4691100	CYLINDER SET	-
15	22402300	O-RING	1	-	D4691200	TOOL HOLDER SET	-
16	22401330	O-RING	1	-	D4691400	TENSION BOLT SET	-
17	D4000190	HEAD CAP	1	-	D4691500	SPARE SEAL KIT	-
18	D7000200	GAS VALVE ASSEMBLY	1	-	DA698000	N ₂ GAS CHARGING KIT	-
19	D5000270	CYLINDER BUSHING	1	MEMO			
20	D4000200	TOP NUT	4				
21	D4000210	TENSION BOLT WASHER	4				
22	D4000220	TENSION BOLT	4				

■ HK40 SPARE SEAL KIT

No.	Item No.	Part No.	Part Name	Q'ty	MEMO
0	0	D4691500	SPARE SEAL KIT	1	
1	10	22402070	O-RING	3	
2	15	22402300	O-RING	1	
3	16	22401330	O-RING	1	
4	29	22300020	STEP SEAL	2	
5	30	22200030	GAS SEAL	1	
6	31	22002510	DUST SEAL	1	
7	32	22003760	U PACKING SEAL	1	
8	33	22000080	BUFFER SEAL	1	
9	35	22402060	O-RING	3	
10	36	22401460	O-RING	3	

■ HK40 TOOL KITS PART LIST

No.	Part No.	Part Name	Q'ty			Remarks
			Side	Top	Silence	
0	-	TOOL KITS	D4691600	D4691700	D4691800	HK40
1	16503000	TOOL BOX	1	1	1	No 2.
2	16500230	COMBI SPANNER	1	1	1	14mm
3	16502100	DOUBLE SPANNER	1	1	1	27x30mm
4	16502520	SINGLE SPANNER	1	1	1	36mm
5	16502470	SINGLE SPANNER	1	1	1	24mm
6	16501160	L-WRENCH	1	1	1	M8
7	16501140	L-WRENCH	1	1	1	5mm

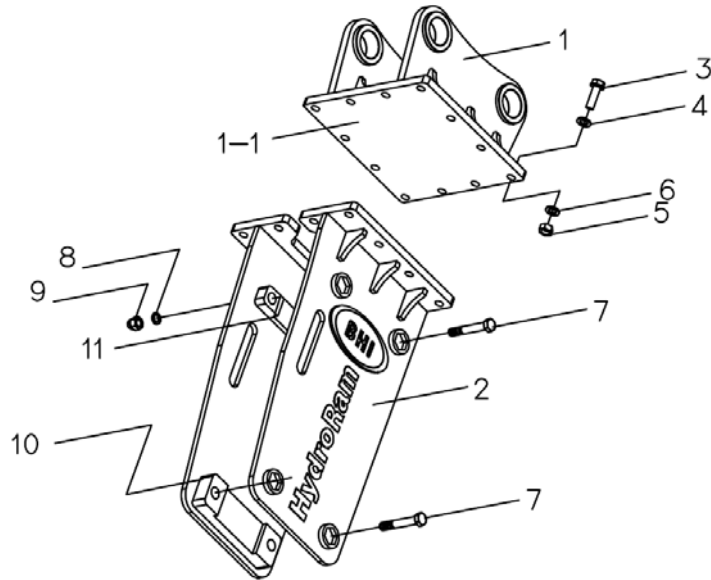
■ HK40 N2 GAS CHARGING KIT

No.	Part No.	Part Name	Q'ty	MEMO
0	D5698000	N ₂ GAS CHARGING KIT	1	
1	13105900	N ₂ GAS 3-WAY VALVE ASSEMBLY	1	
2	16802000	N ₂ HOSE	1	
3	13105910	N ₂ COUPLING KIT	1	
4	13105930	N ₂ GAS CYLINDER	1	

■ HK40 BRACKET PART LIST

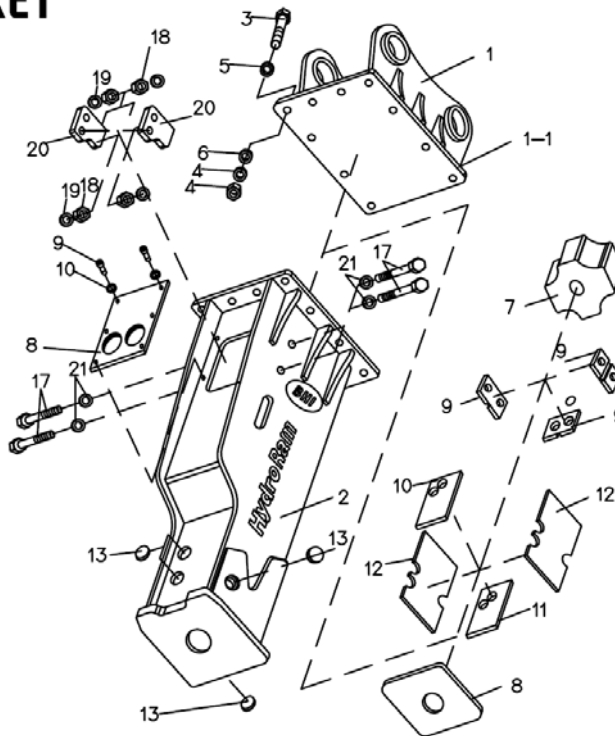
HK40

TOP BRACKET



BHI

SILENT BRACKET



BHI

■ HK40 BRACKET PART LIST

■ HK40 TOP BRACKET				■ HK40S SILENCE BRACKET			
No.	Part No.	Part Name	Q'ty	No.	Part No.	Part Name	Q'ty
0	D4200000	TOP BRACKET ASSEMBLY	1	0	D4300000	SILENCE BRACKET ASSEMBLY	1
1	D4200040	REAR BRACKET	1	1	D4300090	REAR BRACKET	1
2	D4200010	TOP BRACKET	1	2	D4300010	SILENCE BRACKET BODY	1
3	20007160	HEX HEAD BOLT	12	3	20007160	HEX HEAD BOLT	10
4	13000090	FLAT WASHER	24	4	12001450	HEX HEAD NUT	10
5	12001450	HEX HEAD NUT	12	5	13000090	FALT WASHER	20
6	13001090	SPRING WASHER	12	6	13001090	SPRING WASHER	10
7	20035180	HEX HEAD BOLT	4	7	D4300020	UPPER CUSHION PLATE	1
8	13001130	SPRING WASHER	4	8	D4300030	DOWN CUSHION PLATE	1
9	12005990	CAP NUT	4	9	D5300080	SIDE WEAR PLATE	3
10	D4200020	GUIDE BLOCK(A)	2	10	D4300040	LOW FRONT WEAR PLATE(1)	1
11	D4200030	GUIDE BLOCK(B)	2	11	D4300050	LOW FRONT WEAR PLATE(2)	1
-	D4693000	SET BOLT SET	-	12	D4300060	SIDE BOTTOM WEAR PLATE	2
-	D4695100	DECAL KIT	-	13	D9300070	RUBBER CAP-S	5
MEMO				14	D4300070	COVER PLATE	1
				15	20211030	HEX SOCKET HEAD BOLT	6
				16	13000060	FLAT WASHER	6
				17	20006810	HEX HEAD BOLT	4
				18	12001440	HEX HEAD NUT	8
				19	13001080	SPRING WASHER	4
				20	D4300080	STOPPER	2
				21	13000080	FLAT WASHER	4
				-	D4695200	DECAL KIT	-
				MEMO			