

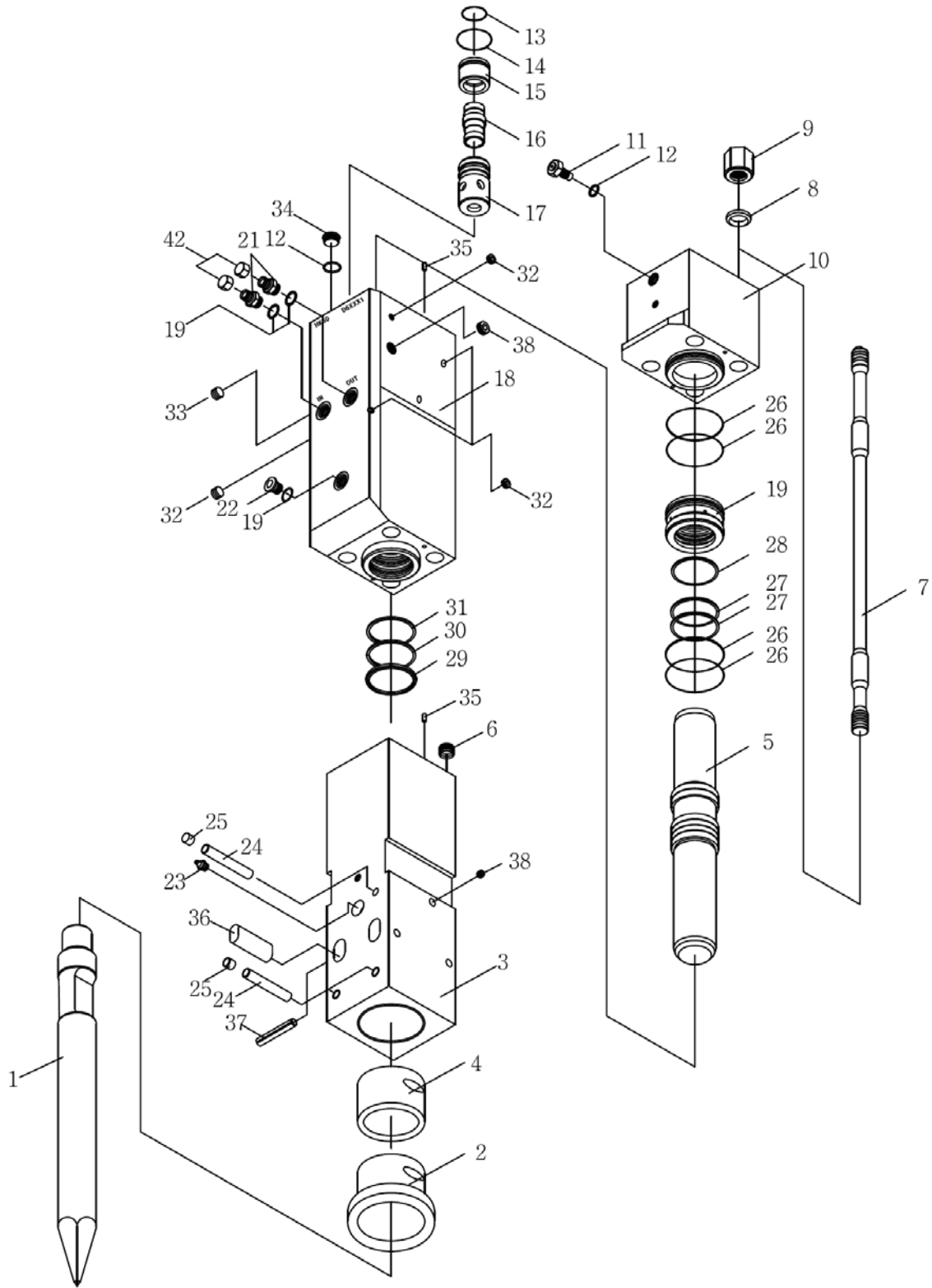


# BHI HydroRam Hydraulic Hammer

## HK60 Parts List

■ HK60 POWER CELL

HK60 POWER CELL



## ■ HK60 POWER CELL

No.	Part No.	Part Name	Q'ty	No.	Part No.	Part Name	Q'ty
0	D6000000	POWER CELL ASSEMBLY	1	24	D5000260	STOP PIN(A)	3
1	D6000050	TOOL(MOIL)	1	25	13007320	RUBBER PLUG	3
1-1	D6000060	TOOL(CONE)	0	26	22401490	O-RING	4
1-2	D6000070	TOOL(H-WEDGE)	0	27	22300030	STEP SEAL	2
1-3	D6000080	TOOL(V-WEDGE)	0	28	22200040	GAS SEAL	1
1-4	D6000090	TOOL(FLAT)	0	29	22002560	DUST SEAL	1
1-5	D6000100	TOOL(SPADE H-WEDGE)	0	30	22003790	U PACKING SEAL	1
1-6	D6000110	TOOL(SPADE V-WEDGE)	0	31	22000110	BUFFER SEAL	1
2	D6000130	TOOL HOLDER BUSHING	1	32	13006010	PT SOCKET HEAD PLUG	5
3	D6000140	TOOL HOLDER	1	33	13006040	PT SOCKET HEAD PLUG	1
4	D6000150	ROUND BUSHING	1	34	DA000400	PF1/2 SOCKET PLUG	3
5	D6000160	PISTON	1	35	D9000050	PIN	2
6	13103250	HELI SERT COIL SPRING	4	36	D6000250	RETAINER PIN	1
7	D6000170	TENSION BOLT	4	37	D6000260	SPRING PIN	1
8	D6000180	TOP NUT WASHER	4	38	13006030	PT SOCKET HEAD PLUG	1
9	D6000190	TOP NUT	4	39	13007130	UNION CAP	2
10	D6000200	HEAD CAP	1	*40	23390040	SPRING HOSE	2
11	D7000200	GAS VALVE ASSEMBLY	1	*41	13006550	HOSE PLUG	2
12	22402070	O-RING	4	-	-	-	-
13	22401330	O-RING	1	-	D6691000	HEAD CAP SET	-
14	22402300	O-RING	1	-	D6691100	CYLINDER SET	-
15	D5000220	MAIN VALVE CAP	1	-	D6691200	TOOL HOLDER SET	-
16	D5000240	MAIN VALVE	1	-	D6691400	TENSION BOLT SET	-
17	D5000230	MAIN VALVE CASE	1	-	D6691500	SPAER SEAL KIT	
18	D6000210	CYLINDER	1	-	D5698000	N <sub>2</sub> GAS CHARGING KIT	
19	D6000220	CYLINDER BUSHING	1	MEMO			
20	22402110	O-RING	3				
21	13008850	O-RING ADAPTER	2				
22	DA000240	PF3/4 SOCKET PLUG	1				
23	13007810	GREASE NIPPLE	1				

## ■ HK60 SPARE SEAL KIT

No.	Item No.	Part No.	Part Name	Q'ty	MEMO
0	-	D6691500	SPARE SEAL KITS	1KIT	
1	12	22402070	O-RING	4	
2	13	22401330	O-RING	1	
3	14	22402300	O-RING	1	
4	20	22402110	O-RING	3	
5	26	22401490	O-RING	4	
6	27	22300030	STEP SEAL	2	
7	28	22200040	GAS SEAL	1	
8	29	22002560	DUST SEAL	1	
9	30	22003790	U PACKING SEAL	1	
10	31	22000110	BUFFER SEAL	1	
MEMO					

### ■ HK60 TOOL KIT

No.	Part No.	Part Name	Q'ty			Remarks
			Side	Top	Silence	
0	-	TOOL KITS	D6691600	D6691700	D6691800	
1	16503000	TOOL BOX	1	1	1	No 2.
2	16501140	COMBI SPANNER	1	1	1	14mm
3	16502100	DOUBLE SPANNER	1	1	1	27x30mm
4	16502520	SINGLE SPANNER	1	1	1	36mm
5	16501140	L WRENCH	1	1	1	5mm
6	16500700	HAMMER RING WRENCH	1	1	1	41mm

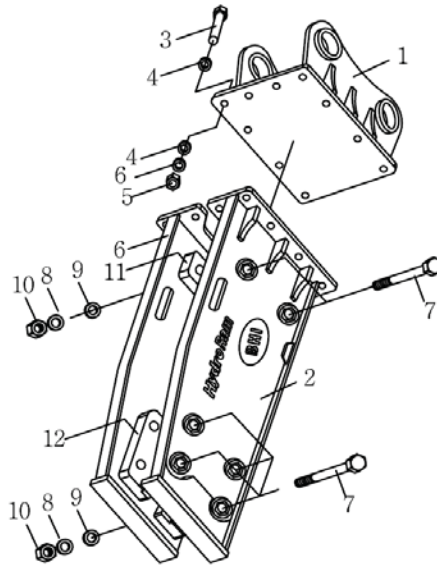
### ■ HK60 N2 GAS CHARGING KIT

No.	Part No.	Part Name	Q'ty	MEMO
0	D5698000	N <sub>2</sub> GAS CHARGING KIT	1	
1	13105900	N <sub>2</sub> GAS 3-WAY VALVE ASSEMBLY	1	
2	16802000	N <sub>2</sub> HOSE	1	
3	13105910	N <sub>2</sub> COUPLING KIT	1	
4	13105930	N <sub>2</sub> GAS CYLINDER	1	

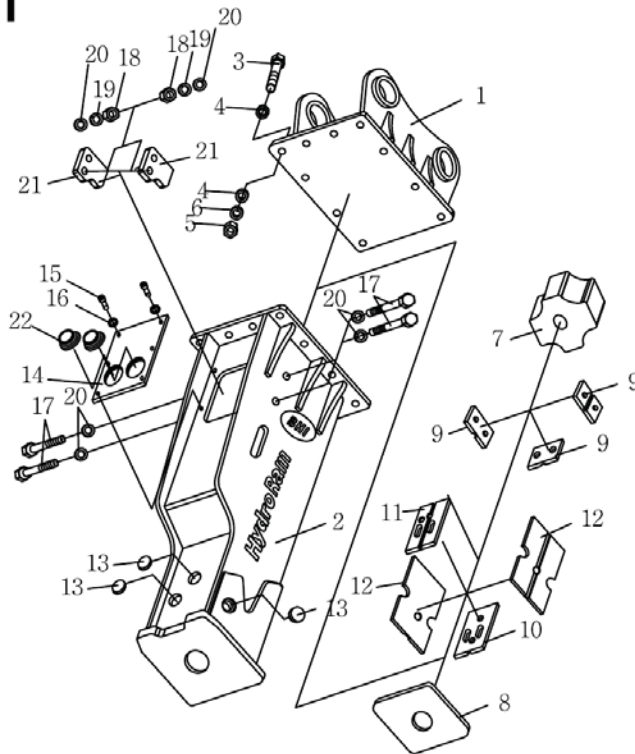
■ HK60 BRACKET

HK60

TOP BRACKET



SILENT BRACKET



## ■ HK60 BRACKET

■HK60 TOP BRACKET				■HK60S SILENCE BRACKET			
No.	Part No.	Part Name	Q'ty	No.	Part No.	Part Name	Q'ty
0	D6200000	TOP BRACKET ASSEMBLY	1	0	D6300000	SILENCE BRACKET ASSEMBLY	1
1	D6200050	REAR BRACKET	1	1	D6300120	REAR BRACKET	1
2	D6200010	TOP BRACKET	1	2	D6300010	SILENCE BRACKET BODY	1
3	20007520	HEX HEAD BOLT	12	3	20007520	HEX HEAD BOLT	12
4	13000100	FLAT WASHER	24	4	13000100	FLAT WASHER	24
5	12001460	HEX HEAD NUT	12	5	12000860	HEX HEAD NUT	12
6	13001100	SPRING WASHER	12	6	13001100	SPRING WASHER	12
7	20036370	HEX HEAD BOLT	6	7	D5300060	UPPER CUSHION	1
8	13001140	SPRING WASHER	6	8	D6300040	DOWN CUSHION	1
9	13000220	FLAT WASHER	6	9	D5300080	SIDE WEAR PLATE	3
10	12006000	CAP NUT	6	10	D6300050	LOW FRONT WEAR PLATE(2)	1
11	D6200080	GUIDE BLOCK(B)	2	11	D6300060	LOW FRONT WEAR PLATE(1)	1
12	D6200070	GUIDE BLOCK(A)	2	12	D6300070	LOW SIDE WEAR PLATE	2
MEMO				13	D9300070	RUBBER CAP-F	5
				14	D6300100	MC COVER PLATE	1
				15	20211400	HEX SOCKET BOLT	6
				16	13000080	FLAT WASHER	6
				17	20006790	HEX HEAD BOLT	4
				18	12001440	HEX HEAD NUT	4
				19	13001080	SPRING WASHER	4
				20	13000080	FLAT WASHER	4
				21	D6300110	STOPPER	2
				22	34552010	HOSE PROTECT	2
				MEMO			

MEMO