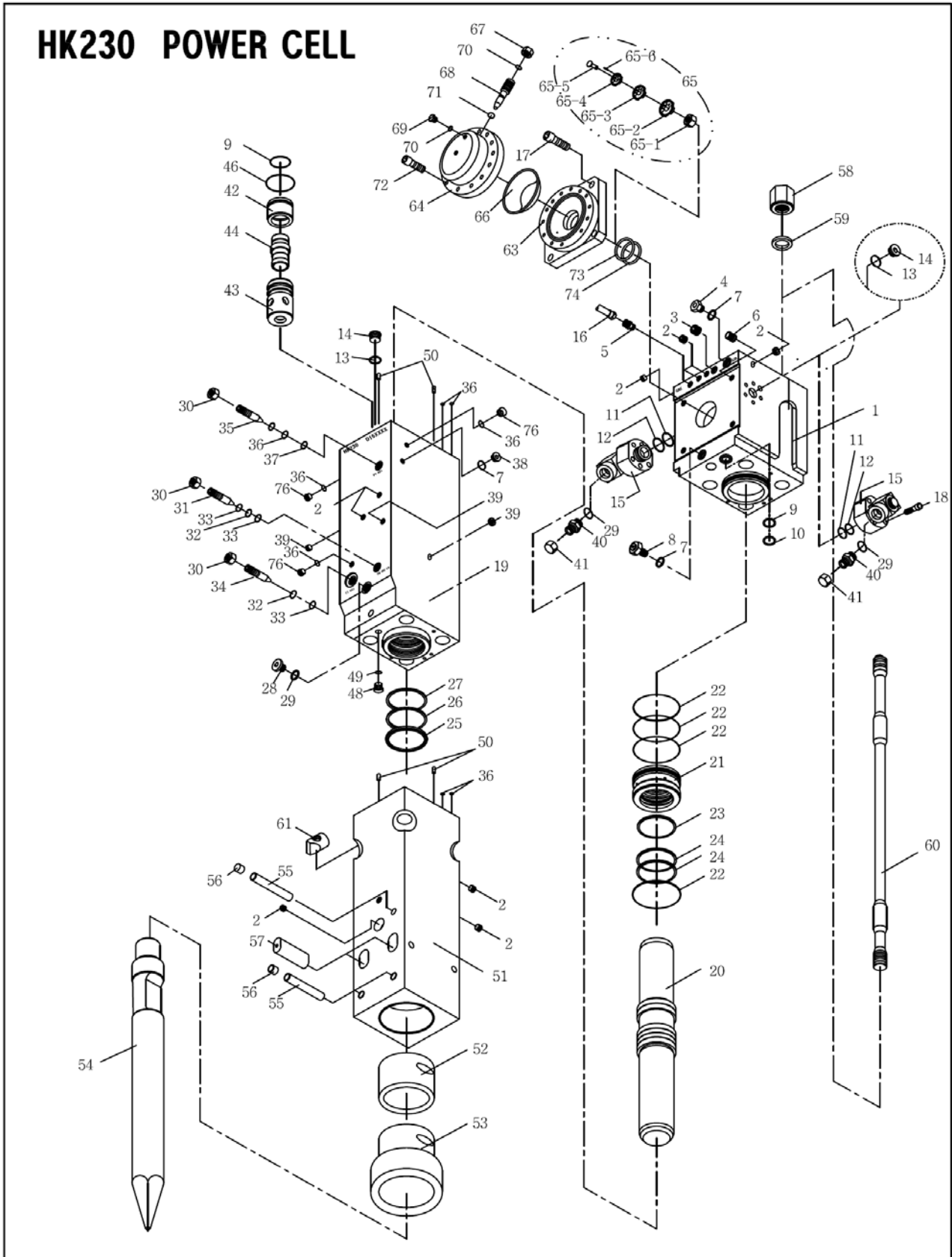




BHI HydroRam Hydraulic Hammer

HK230S Parts List

■ HK230S POWER CELL



■ HK230S POWER CELL

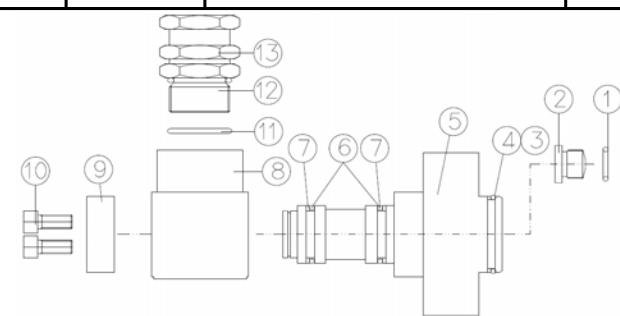
No.	Part No.	Part Name	Q'ty	Remarks
0	DK000000	POWER CELL ASSEMBLY	1	
1	DK000270	HEAD CAP	1	
2	13006030	PT SOCKET PLUG	9	
3	13006090	PT SOCKET PLUG	1	
4	DK000080	POPPET VALVE	1	
5	13009210	ADAPTER	1	
6	13102800	HELI COIL SPRING	4	
7	22402070	O-RING	3	
8	D7000200	GAS VALVE ASSEMBLY	1	
9	22401360	O-RING	2	
10	22500190	BACK UP RING	1	
11	22401370	O-RING	2	
12	22406730	BACK UP RING	2	
13	22402110	O-RING	3	
14	13100350	PF3/4 SOCKET PLUG	3	
15	DK000120	SWIVEL ADAPTER ASSEMBLY	2	
16	DK300140	HOSE	1	
17	20213600	HEX SOCKET HEAD BOLT	4	
18	20211780	HEX SOCKET HEAD BOLT	12	
19	DK000260	CYLINDER	1	
20	DK000040	PISTON	1	
21	DA000380	CYLINDER BUSHING	1	
22	22401600	O-RING	4	
23	22200080	GAS SEAL	1	
24	22300070	STEP SEAL	2	
25	22002690	DUST SEAL	1	
26	22003940	U PACKING	1	
27	22000230	BUFFER SEAL	1	
28	13100370	PF SOCKET PLUG	1	
29	22402260	O-RING	1	

■ HK230S POWER CELL

No.	Part No.	Part Name	Q'ty	Remarks
30	12002410	HEX HEAD NUT	3	
31	DD000380	ON-OFF VALVE	1	
32	22402020	O-RING	2	
33	22405610	BACK UP RING	3	
34	DK000050	CYLINDER ADJUSTER	1	
35	DF000590	ADJUSTER VALVE	1	
36	22402060	O-RING	8	
37	22405650	BACK UP RING	1	
38	DA000400	PF1/2 SOCKET PLUG	1	
39	13006010	PT SOCKET PLUG	2	
40	13009760	O-RING ADAPTER	2	
41	13007620	UNION CAP	2	
42	DA000250	MAIN VALVE CAP	1	
43	DA000260	MAIN VALVE CASE	1	
44	DA000270	MAIN VALVE	1	
46	22401410	O-RING	1	
48	13100320	PF SOCKET PLUG	1	
49	22402000	O-RING	1	
50	D9000050	PIN	4	
51	DK000030	TOOL HOLDEER	1	
52	DK000060	ROUND BUSHING	1	
53	DK000160	TOOL HOLDER BUSHING	1	
54	DK000220	TOOL, H WEDGE	1	
54-1	DK000210	TOOL, V WEDGE	-	
54-2	DK000230	TOOL, BLUNT	-	
54-3	DK000200	TOOL, CONE	-	
54-4	DK000240	TOOL, MOIL	-	
55	D9000400	STOP PIN(A)	3	
56	13007320	RUBBER PLUG	3	
57	D9000640	RETAINER PIN	2	

■ **HK230S POWER CELL**

No.	Part No.	Part Name	Q'ty	Remarks
58	DA000830	TOP NUT	4	
59	DA000840	TOP NUT WASHER	4	
60	DK000110	TENSION BOLT	4	
61	DK000090	BOTTOM NUT	4	
62	DG000350	ACCUMULATOR ASSEMBLY	1	
63	DG000220	ACCUMULATOR BODY	1	
64	DG000210	ACCUMULATOR COVER	1	
65	DG692300	ACC. ORIFICE SET	1	
65-1	DA000440	LOCK NUT	1	
65-2	DG000450	ORIFICE(A)	1	
65-3	DG000460	ORIFICE(B)	1	
65-4	DG000470	ORIFICE(C)	1	
65-5	DG000480	ORIFICE(D)	1	
65-6	DG000490	HOLDER PIN	1	
66	DG000410	DIAPHRAGM	1	
67	DC000320	O-RING PLUG	1	
68	DC000330	CHARGING VALVE	1	
69	DA000510	O-RING CAP	1	
70	22402040	O-RING	2	
71	22401930	O-RING	1	
72	20215100	HEX SOCKET HEAD BOLT	12	
73	22401430	O-RING	1	
74	22500260	BACK UP RING	1	
75	16800190	SPRING HOSE	2	
76	D4000280	M18 SOCKET PLUG	3	
-	DK691400	TENSION BOLT SET	1	

No.	Part No.	Part Name	Q'ty
0	DK000320	SWIVEL ADAPTER KIT(DIA40)	1
			
1	22402110	O-RING	(1)
2	13100350	PF3/4 SOCKET PLUG	(1)
3	22401370	O-RING	1
4	22406730	BACK UP RING	1
5	DK000330	SWIVEL BODY	1
6	DK000380	QUAD RING	2
7	DK000390	BACK UP RING	2
8	DK000340	SWIVEL	1
9	DK000350	SWIVEL CAP	1
10	20211050	HEX SOCKET HEAD BOLT	2
11	22402260	O-RING	1
12	13009760	ADAPTER	1
13	13007620	UNION CAP	1
No.3~10 : Interchangeable IN-OUT FLANGE (PARTCODE: DL000240)			

■ HK230S SPARE SEAL KIT

No.	Part No.	Part Name	Q'ty	Remarks
0	DK691510	SPARE SEAL KITS	1	
1	22402070	O-RING	3	
2	22401360	O-RING	2	
3	22500190	BACK UP RING	1	
4	22401370	O-RING	2	
5	22406730	BACK UP RING	2	
6	22402110	O-RING	3	
7	22401600	O-RING	4	
8	22200080	GAS SEAL	1	
9	22300070	STEP SEAL	2	
10	22002690	DUST SEAL	1	
11	22003940	U PACKING SEAL	1	
12	22000230	BUFFER SEAL	1	
13	22402260	O-RING	3	
14	22402020	O-RING	2	
15	22405610	BACK UP RING	3	
16	22402060	O-RING	8	
17	22405650	BACK UP RING	1	
18	22401410	O-RING	1	
19	22402000	O-RING	1	
20	22402040	O-RING	2	
21	22401930	O-RING	1	
22	22401430	O-RING	1	
23	22500260	BACK UP RING	1	
24	22401370	O-RING	2	
25	22406730	BACK UP RING	2	
26	DK000380	QUAD RING	4	
27	DK000390	BACK UP RING	4	

■ HK230S TOOL KIT

No.	Part No.	Part Name	Q'ty	Remarks
0	DK691810	TOOL KITS	1	HK230S
1	16502990	TOOL BOX	1	No1.
2	16500260	COMBI SPANNER	1	14mm
3	16502510	SINGLE SPANNER	1	32mm
4	16502530	SINGLE SPANNER	1	41mm
5	16502100	DOUBLE SPANNER	1	27X30mm
6	16501140	L WRENCH	1	5mm
7	16501170	L WRENCH	1	10mm
8	16501180	L WRENCH	1	12mm
9	16501190	L WRENCH	1	14mm
10	16501210	L WRENCH	1	19mm
11	16500760	HAMMER RING WRENCH	1	70mm
12	16503090	HAND RETAINER PIN	1	M12
13	16500710	HAMMER RING WRENCH	1	46mm

■ HK230S N2 GAS CHARGING KIT

No.	Part No.	Part Name	Q'ty	Remarks
0	DJ698000	N ₂ GAS CHARGING KIT	1	
1	13105900	N ₂ GAS 3-WAY VALVE ASSEMBLY	1	
2	16802000	N ₂ HOSE	1	
3	13105910	N ₂ COUPLING KIT	1	
4	13105920	N ₂ GAS CYLINDER	1	
5	DF300520	EXTENSION STICK	1	

■ HK230S BRACKET

No.	Part No.	Part Name	Q'ty	Remarks
0	DK300000	SILENCE BRACKET ASSEMBLY	1	
1	DK300020	TOP BRACKET	1	
2	20009410	HEX HEAD BOLT	12	
4	13000140	FLAT WASHER	24	
5	12006440	LOCK NUT	12	
6	DA300470	UPPER CUSHION	1	
7	D9300070	RUBBER CAP-S	5	
8	DK300110	SIDE PAD	2	
9	DK300100	SIDE CUSHION	2	
10	DK300010	BRACKET BODY	1	
11	DK300060	BACK WEAR PLATE	1	
12	DK300090	DOWN CUSHION	1	
13	DK300030	DUST PROTECTION SEAL	1	
14	DK300070	SIDE WEAR PLATE	2	
15	DK300050	FRONT WEAR PLATE	1	
16	20211760	HEX SOCKET HEAD BOLT	8	
17	13000080	FLAT WASHER	8	
18	DK300130	UPPER COVER	1	
19	13006030	PT SOCKET PLUG	3	
20	DK300120	DOWN COVER	1	
21	20212470	HEX SOCKET HEAD BOLT	6	
22	DK300040	TOOL HOLDER COVER	1	
23	DK300080	RETAINER PIN CUSHION	2	
24	13009200	ELBOW ADAPTER	1	
25	DK300140	HOSE	1	
26	13007810	GREASE NIPPLE	1	
27	DK300160	RUBBER PLUG	2	
28	20211050	HEX SOCKET BOLT	10	
29	DK300170	SWIVEL COVER	1	
-	DK695200	DECAL KIT	1	

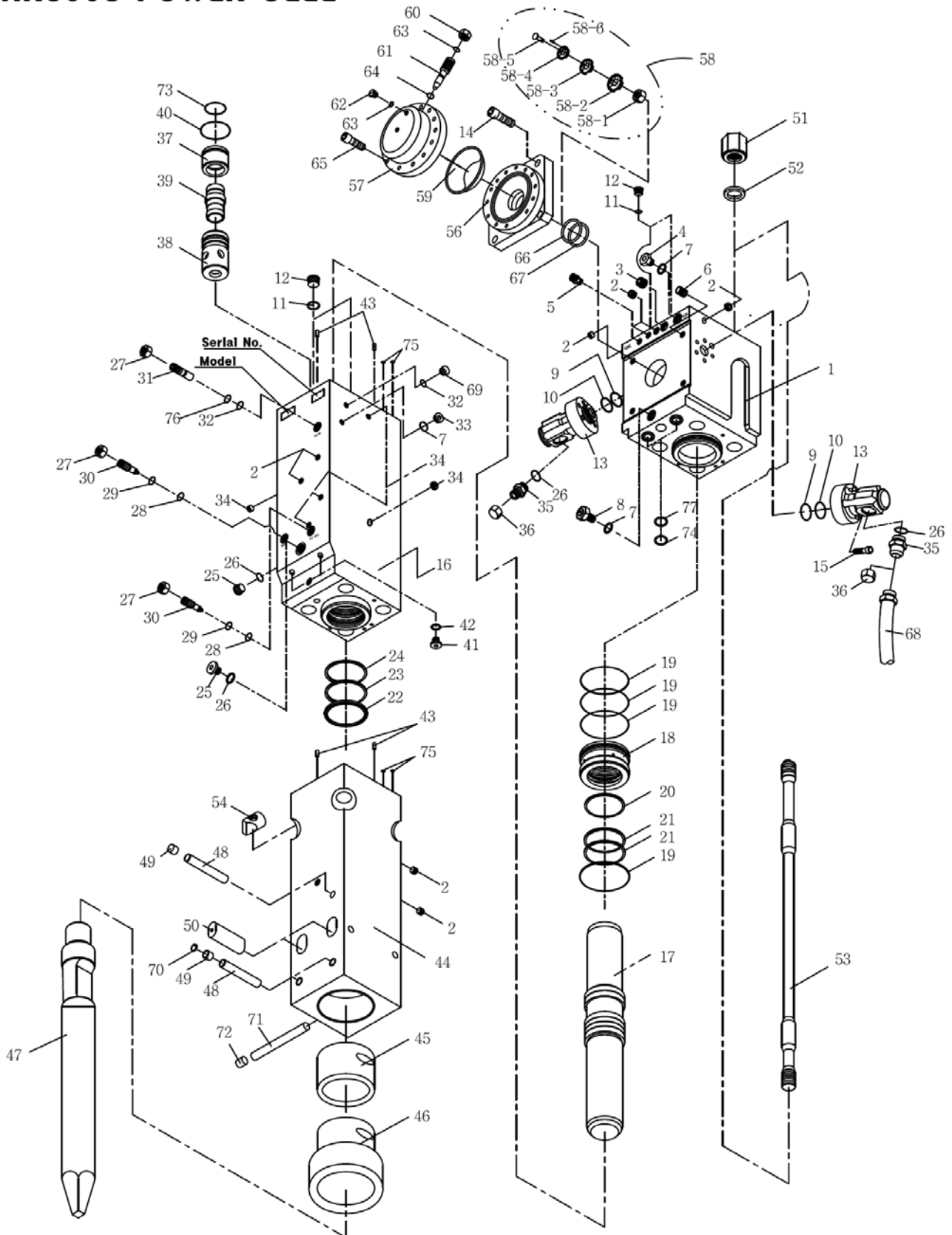


BHI
HydroRam
Hydraulic Hammer

HK300S
Parts List

HK300S POWER CELL

HK300S POWER CELL



■ HK300S POWER CELL

No.	Part No.	Part Name	Q'ty	Remarks
0	DL000190	POWER CELL ASSEMBLY	1	
1	DL000020	HEAD CAP	1	S/N : D210006(#1)
	DL000210			
2	13006030	PT SOCKET PLUG	9	
3	13006020	PT SOCKET PLUG	1	
4	DK000080	POPPET VALVE	1	
5	13009210	ADAPTER	1	
6	13102810	HELI COIL SPRING	4	
7	22402070	O-RING	3	
8	D7000200	GAS VALVE ASSEMBLY	1	
9	22401370	O-RING	2	
10	22406730	BACK UP RING	2	
11	22402210	O-RING	2	
12	DF000050	M36 SOCKET PLUG	2	
13	DK000400	IN-OUT FLANGE	2	
14	20213620	HEX SOCKET HEAD BOLT	4	
15	20211760	HEX SOCKET HEAD BOLT	12	
16	DL000010	CYLINDER	1	S/N : D210006(#1)
	DL000200			
17	DL000050	PISTON	1	S/N : D210006(#1)
	DL000220			
18	DL000040	CYLINDER BUSHING	1	
19	22401660	O-RING	4	
20	22200230	GAS SEAL	1	
21	22300260	STEP SEAL	2	
22	22002730	DUST SEAL	1	
23	22003980	U PACKING	1	
24	22000250	BUFFER SEAL	1	
25	13100370	PF SOCKET PLUG	2	
26	22402260	O-RING	4	

■ HK300S POWER CELL

No.	Part No.	Part Name	Q'ty	Remarks
27	12002410	HEX HEAD NUT	3	
28	22402020	O-RING	2	
29	22405610	BACK UP RING	2	
30	DL000050	CYLINDER ADJUSTER	2	S/N : D210006(#1) , ON-OFF VALVE : DD000380
	DL000230			
31	DF000590	ADJUSTER VALVE	1	
32	22402060	O-RING	2	
33	DA000400	PF SOCKET PLUG	1	
34	13006010	PT SOCKET PLUG	3	
35	13009760	O-RING ADAPTER	2	
36	13007630	UNION CAP	2	
37	DC000220	MAIN VALVE CAP	1	
38	DC000230	MAIN VALVE CASE	1	
39	DC000240	MAIN VALVE	1	
40	22401440	O-RING	1	
41	13100320	PF SOCKET PLUG	2	
42	22402000	O-RING	2	
43	D9000050	PIN	4	
44	DL000030	TOOL HOLDEER	1	
45	DC000180	ROUND BUSHING	1	
46	DL000110	TOOL HOLDER BUSHING	1	
47	DC000050	TOOL(MOIL)	1	
47-1	DC000080	TOOL(H WEDGE)	-	
47-2	DC000090	TOOL(BLUNT)	-	
47-3	DC000060	TOOL(CONE)	-	
47-4	DC000070	TOOL(V WEDGE)	-	
48	DC001260	STOP PIN	3	
49	13007340	RUBBER PLUG	3	
50	DL000060	RETAINER PIN	2	

■ HK300S POWER CELL

No.	Part No.	Part Name	Q'ty	Remarks
51	DL000070	TOP NUT	4	
52	DL000080	TOP NUT WASHER	4	
53	DL000100	TENSION BOLT	4	
54	DL000090	BOTTOM NUT	4	
55	DC000830	ACCUMULATOR ASSEMBLY	1	S/N : D210006(#1)
	DE000300			
56	DC000840	ACCUMULATOR BODY	1	S/N : D210006(#1)
	DE000310			
57	DC000350	ACCUMULATOR COVER	1	S/N : D210006(#1)
	DE000330			
58	DG692300	ACC. ORIFICE SET	1	S/N : D210006(#1)
	DE692300			
58-1	DA000440	LOCK NUT	1	
58-2	DG000450	ORIFICE(A)	1	S/N : D210006(#1)
	DE000350			
58-3	DG000460	ORIFICE(B)	1	S/N : D210006(#1)
	DF000690			
58-4	DG000470	ORIFICE(C)	1	S/N : D210006(#1)
	DF000700			
58-5	DG000480	ORIFICE(D)	1	S/N : D210006(#1)
	DF000710			
58-6	DG000490	HOLDER PIN	1	S/N : D210006(#1)
	DE000360			
59	DC000360	DIAPHRAGM	1	S/N : D210006(#1)
	DE000320			
60	DC000320	O-RING PLUG	1	
61	DC000330	CHARGING VALVE	1	
62	DA000510	O-RING CAP	1	
63	22402040	O-RING	2	
64	22401930	O-RING	1	
65	20212100	HEX SOCKET BOLT	12	S/N : D210006(#1)
	20215040			

■ HK300S POWER CELL

No.	Part No.	Part Name	Q'ty	Remarks
66	22402540	O-RING	1	
67	22409600	BACK UP RING	1	
68	16801770	SPRING HOSE	2	
69	D4000280	M18 SOCKET PLUG	1	
70	13003160	SNAP RING	2	
71	DC000450	STOP PIN	1	
72	13007320	RUBBER PLUG	1	
73	22401410	O-RING	1	
74	22500190 22409410	BACK UP RING	2	S/N : D210006(#1)
75	22402110	O-RING	4	
76	22405650	BACK UP RING	2	
77	22401360 22402350	O-RING	2	S/N : D210006(#1)

■ **HK300S SPARE SEAL KIT - S/N : D210006 (#1)**

No.	Part No.	Part Name	Q'ty	Remarks
0	DL691500	SPARE SEAL KITS	1	S/N : D210006 (#1)
1	22402070	O-RING	3	
2	22401360	O-RING	1	
3	22500190	BACK UP RING	1	
4	22401370	O-RING	2	
5	22406730	BACK UP RING	2	
6	22402210	O-RING	3	
7	22401660	O-RING	4	
8	22200230	GAS SEAL	1	
9	22300260	STEP SEAL	2	
10	22002730	DUST SEAL	1	
11	22003980	U PACKING SEAL	1	
12	22000250	BUFFER SEAL	1	
13	22402260	O-RING	3	
14	22402020	O-RING	2	
15	22405610	BACK UP RING	3	
16	22402060	O-RING	5	
17	22405650	BACK UP RING	1	
18	22401440	O-RING	1	
19	22402000	O-RING	1	
20	22402040	O-RING	2	
21	22401930	O-RING	1	
22	22402540	O-RING	1	
23	22409600	BACK UP RING	1	
24	22411410	O-RING	1	
25	DK000380	QUAD RING	4	
26	DK000390	BACK UP RING	4	

■ HK300S SPARE SEAL KIT - S/N : D210025, D210026

No.	Part No.	Part Name	Q'ty	Remarks
0	DL691550	SPARE SEAL KIT	1	S/N : D210025, D210026
1	22402070	O-RING	3	
2	22401370	O-RING	2	
3	22406730	BACK UP RING	2	
4	22402210	O-RING	2	
5	22401660	O-RING	4	
6	22200230	GAS SEAL	1	
7	22300260	STEP SEAL	2	
8	22002730	DUST SEAL	1	
9	22003980	U PACKING	1	
10	22000250	BUFFER SEAL	1	
11	22402260	O-RING	4	
12	22402020	O-RING	2	
13	22405610	BACK UP RING	2	
14	22402060	O-RING	2	
15	22401440	O-RING	1	
16	22402000	O-RING	2	
17	22402040	O-RING	2	
18	22401930	O-RING	1	
19	22402540	O-RING	1	
20	22409600	BACK UP RING	1	
21	22401410	O-RING	1	
22	22409410	BACK UP RING	2	
23	22402110	O-RING	4	
24	22405650	BACK UP RING	2	
25	22402350	O-RING	2	
-	-	-	-	

■ HK300S TOOL KIT

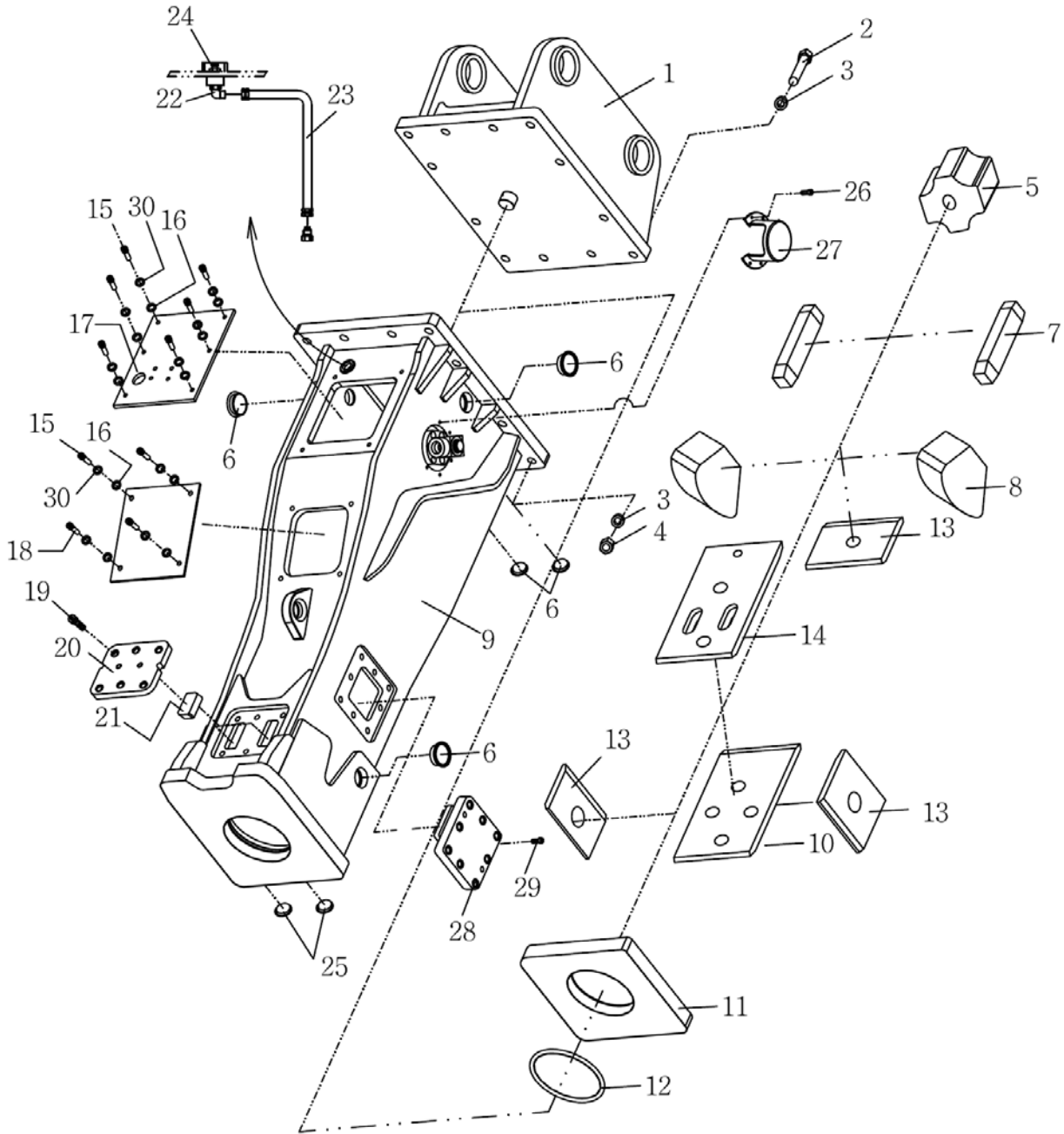
No.	Part No.	Part Name	Q'ty	Remarks
0	DL691800	TOOL KITS	1	HK300S
1	16502990	TOOL BOX	1	No. 1
2	16500260	COMBI SPANNER	1	14mm
3	16500370	SINGLE SPANNER	1	32mm
4	16502580	SINGLE SPANNER	1	50mm
5	16502100	DOUBLE SPANNER	1	27X30mm
6	16501140	L WRENCH	1	5mm
7	16501160	L WRENCH	1	8mm
8	16501170	L WRENCH	1	10mm
9	16501190	L WRENCH	1	14mm
10	16501200	L WRENCH	1	17mm
11	16501210	L WRENCH	1	19mm
12	16503090	HAND RETAINER PIN	1	M12
13	16500770	HAMMER RING WRENCH	1	75mm
14	16500720	HAMMER RING WRENCH	1	55mm

■ HK300S N2 GAS CHARGING KIT

No.	Part No.	Part Name	Q'ty	MEMO No. 5 : DF300520 - OPTION
0	DA698000	N ₂ GAS CHARGING KIT	1	
1	13105900	N ₂ GAS 3-WAY VALVE ASSEMBLY	1	
2	16802000	N ₂ HOSE	1	
3	13105910	N ₂ COUPLING KIT	1	
4	13105920	N ₂ GAS CYLINDER	1	
5	DF300520	EXTENSION STICK	1	

■ HK300S BRACKET

HK300S BRACKET



■ HK300S BRACKET

No.	Part No.	Part Name	Q'ty	Remarks
0	DL300000	PREMIUM BRACKET ASSEMBLY	1	S/N : D210006 (#1)
	DL301000			
1	DL301040	TOP BRACKET	1	S/N : D210006 (#1)
	DC300880			
2	20009790	HEX HEAD BOLT	12	
3	13000150	FLAT WASHER	24	
4	12006460	NYLON NUT	12	
5	DL300140	UPPER CUSHION	1	
6	D9300070	RUBBER CAP-S	6	
7	DK300110	SIDE PAD	2	
8	DL300120	SIDE CUSHION	2	
9	DL300010	PREMIUM BRACKET	1	S/N : D210006 (#1)
	DL301020			
10	DL300080	BACK WEAR PLATE	1	
11	DL300090	DOWN CUSHION	1	
12	DL300130	DUST PROTECTION SEAL	1	
13	DL300100	DOWN WEAR PLATE	3	
14	DL300070	FRONT WEAR PLATE	1	
15	20211760	HEX SOCKET HEAD BOLT	10	
16	13000080	FLAT WASHER	10	
17	DL300250	UPPER COVER	1	
18	DL300030	DOWN COVER	1	
19	20212470	HEX SOCKET HEAD BOLT	6	
20	DL300040	RETAINER PIN COVER	1	
21	DL300060	RETAINER PIN CUSHION	2	
22	13009200	ELBOW ADAPTER	1	
23	DK300140	HOSE	1	

■ HK300S BRACKET

No.	Part No.	Part Name	Q'ty	Remarks
24	13007810	GREASE NIPPLE	1	
25	DK300160	RUBBER PLUG	2	
26	20211050	HEX SOCKET BOLT	10	
27	DK300170	IN-OUT FLANGE COVER	2	
28	DL000110	HOLDER SIDE CUSHION	2	S/N : D210006 (#1)
	DL300050	HOLDER SIDE COVER	2	S/N : D210006 (#1)
	DL301030	SIDE DAMPER	2	
29	20212070	HEX SOCKET HEAD BOLT	16	
30	13001080	SPRING WASHER	10	

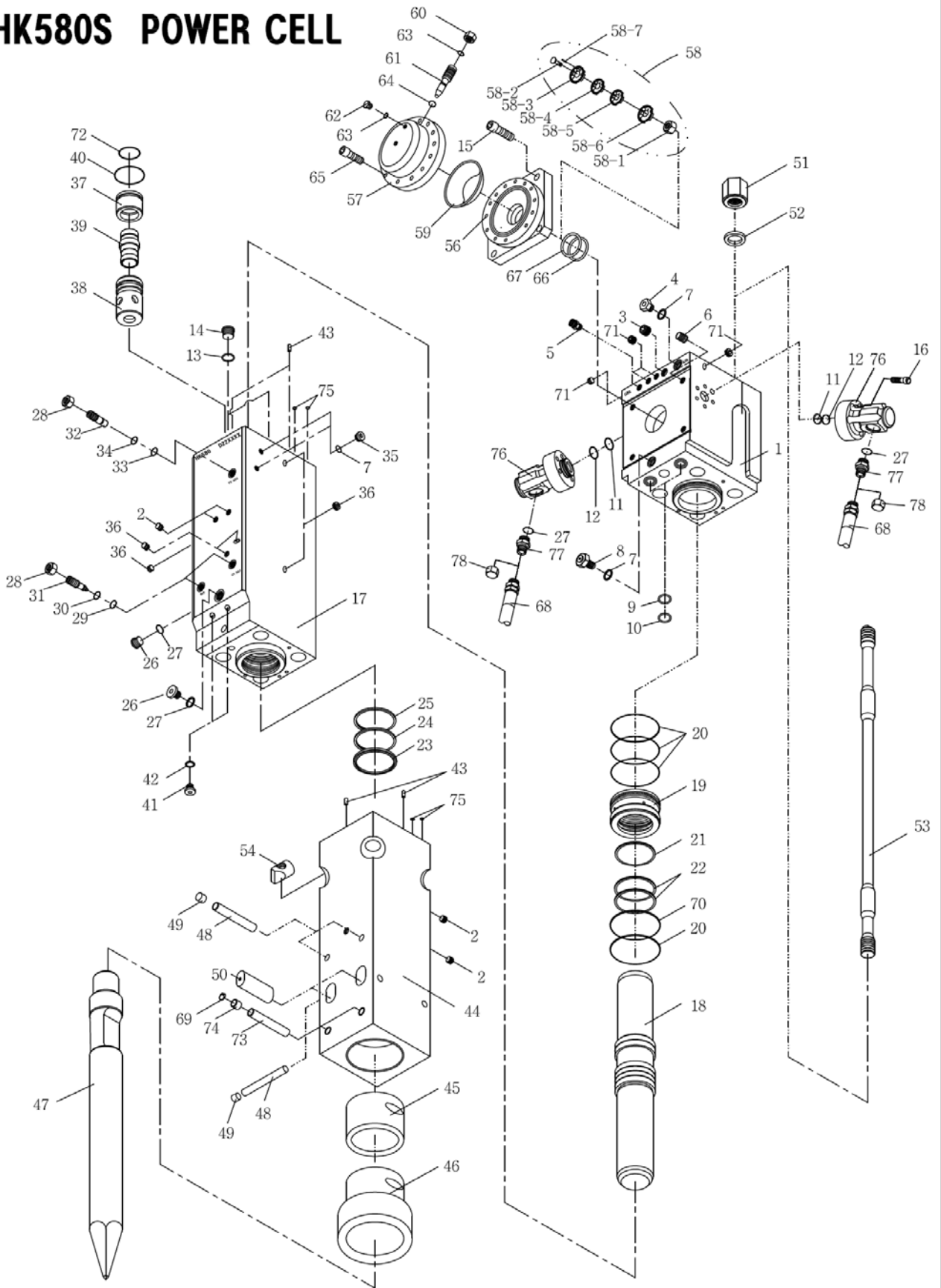


BHI
HydroRam
Hydraulic Hammer

HK580S
Parts List

HK580S POWER CELL

HK580S POWER CELL



■ HK580S POWER CELL

No.	Part No.	Part Name	Q'ty	No.	Part No.	Part Name	Q'ty
0	DM000000	POWER CELL ASSEMBLY	1	30	22405610	BACK UP RING	2
1	DM000200	HEAD CAP	1	31	DL000230	CYLINDER ADJUSTER	2
2	13006030	PT SOCKET PLUG	4	32	DF000590	ADJUSTER VALVE	1
3	13006020	PT SOCKET PLUG	1	33	22402060	O-RING	1
4	DK000080	POPPET VALVE	1	34	22405650	BACK UP RING	1
5	13009210	ELBOW ADAPTER	1	35	DA000400	PF1/2 SOCKET PLUG	2
6	13102960	HELI COIL SPRING	4	36	13006010	PT SOCKET PLUG	5
7	22402070	O-RING	4	37	DF000570	MAIN VALVE CAP	1
8	D7000200	GAS VALVE ASSEMBLY	1	38	DF000580	MAIN VALVE CASE	1
9	22402350	O-RING	2	39	DF000560	MAIN VALVE	1
10	22409410	BACK UP RING	2	40	22401440	O-RING	1
11	22401370	O-RING	2	41	13100320	PF SOCKET PLUG	2
12	22406730	BACK UP RING	2	42	22402000	O-RING	2
13	22402210	O-RING	2	43	D9000050	PIN	4
14	DF000050	M36 SOCKET PLUG	2	44	DM000220	TOOL HOLDEER	1
15	20215090	HEX SOCKET HEAD BOLT	4	45	DF000230	ROUND BUSHING	1
16	20211760	HEX SOCKET HEAD BOLT	10	46	DM000240	TOOL HOLDER BUSHING	1
17	DM000210	CYLINDER	1	47	DF000060	TOOL(MOIL)	1
18	DM000250	PISTON	1	47-1	DF000070	TOOL(H WEDGE)	-
19	DF000370	CYLINDER BUSHING	1	47-2	DF000090	TOOL(CONE)	-
20	22401690	O-RING	4	47-3	DF000100	TOOL(BLUNT)	-
21	22200110	GAS SEAL	1	47-4	DF000080	TOOL(V WEDGE)	-
22	22300100	STEP SEAL	2	48	DF001270	STOP PIN(B)	3
23	22002760	DUST SEAL	1	49	13007350	RUBBER PLUG	3
24	22004020	U PACKING	1	50	DM000080	RETAINER PIN	2
25	22000270	BUFFER SEAL	1	51	DF000780	TOP NUT	4
26	13100370	PF SOCKET PLUG	2	52	DF000770	TOP NUT WASHER	4
27	22402260	O-RING	4	53	DM000040	TENSION BOLT	4
28	12002410	HEX HEAD NUT	3	54	DM000050	BOTTOM NUT	4
29	22402020	O-RING	2	55	DF000670	ACCUMULATOR ASSEMBLY	1

■ HK580S POWER CELL

No.	Part No.	Part Name	Q'ty	No.	Part No.	Part Name	Q'ty
56	DF000660	ACCUMULATOR BODY	1	-	DM691010	HEAD CAP SET	1
57	DF000650	ACCUMULATOR COVER	1	-	DM691110	CYLINDER SET	1
58	DF692300	ACC. ORIFICE SET	1	-	DM691210	TOOL HOLDER SET	1
58-1	DA000440	LOCK NUT	1	-	DF691300	MAIN VALVE SET	1
58-2	DF000680	ORIFICE(A)	1	-	DM691400	TENSION BOLT SET	1
58-3	DF000690	ORIFICE(B)	1	MEMO			
58-4	DF000700	ORIFICE(C)	1				
58-5	DF000710	ORIFICE(D)	1				
58-6	DF000720	ORIFICE(E)	1				
58-7	DF000730	HOLDER PIN	1				
59	DF000740	DIAPHRAGM	1				
60	DC000320	O-RING PLUG	1				
61	DC000330	CHARGING VALVE	1				
62	DA000510	O-RING CAP	1				
63	22402040	O-RING	2				
64	22401930	O-RING	1				
65	20215070	HEX SOCKET HEAD BOLT	16				
66	22402550	O-RING	1				
67	22409610	BACK UP RING	1				
68	16800030	SPRING HOSE	2				
69	13003160	SNAP RING	2				
70	DF000390	BUFFER RING SEAL	1				
71	13006060	PT SOCKET PLUG	4				
72	22401410	O-RING	1				
73	DF001260	STOP PIN(A)	2				
74	13007340	RUBBER PLUG	2				
75	22402110	O-RING	4				
76	DK000400	IN-OUT FLANGE	2				
77	13009750	O-RING ADAPTER	2				
78	13007460	UNION CAP	2				

■ HK580S SPARE SEAL KIT

No.	Part No.	Part Name	Q'ty	MEMO
0	DM691510	SPARE SEAL KIT	1	
1	22402070	O-RING	4	
2	22402350	O-RING	2	
3	22409410	BACK UP RING	2	
4	22401370	O-RING	2	
5	22406730	BACK UP RING	2	
6	22402210	O-RING	4	
7	22401690	O-RING	4	
8	22200110	GAS SEAL	1	
9	22300100	STEP SEAL	2	
10	22002760	DUST SEAL	1	
11	22004020	U PACKING	1	
12	22000270	BUFFER SEAL	1	
13	22402260	O-RING	4	
14	22402020	O-RING	2	
15	22405610	BACK UP RING	2	
16	22402060	O-RING	1	
17	22405650	BACK UP RING	1	
18	22401440	O-RING	1	
19	22402000	O-RING	2	
20	22402040	O-RING	2	
21	22401930	O-RING	1	
22	22402550	O-RING	1	
23	22409610	BACK UP RING	1	
24	DF000390	BUFFER RING SEAL	1	
25	22401410	O-RING	1	
26	22402110	O-RING	4	
MEMO				

■ HK580S TOOL KIT

No.	Part No.	Part Name	Q'ty	Remarks
0	DM691800	TOOL KIT	1	HK580
1	16502990	TOOL BOX	1	No. 1
2	16500260	COMBI SPANNER	1	14mm
3	16500370	COMBI SPANNER	1	32mm
4	16502580	SINGLE SPANNER	1	50mm
5	16502100	DOUBLE SPANNER	1	27x30mm
6	16501140	L WRENCH	1	5mm
7	16501180	L WRENCH	1	12mm
8	16501190	L WRENCH	1	14mm
9	16501210	L WRENCH	1	19mm
10	16501230	L WRENCH	1	24mm - (OPTION)
11	16503090	HANDLE RETAINER PIN	1	M12
12	16500730	HAMMER RING WRENCH	1	55mm
13	16500780	HAMMER RING WRENCH	1	80mm

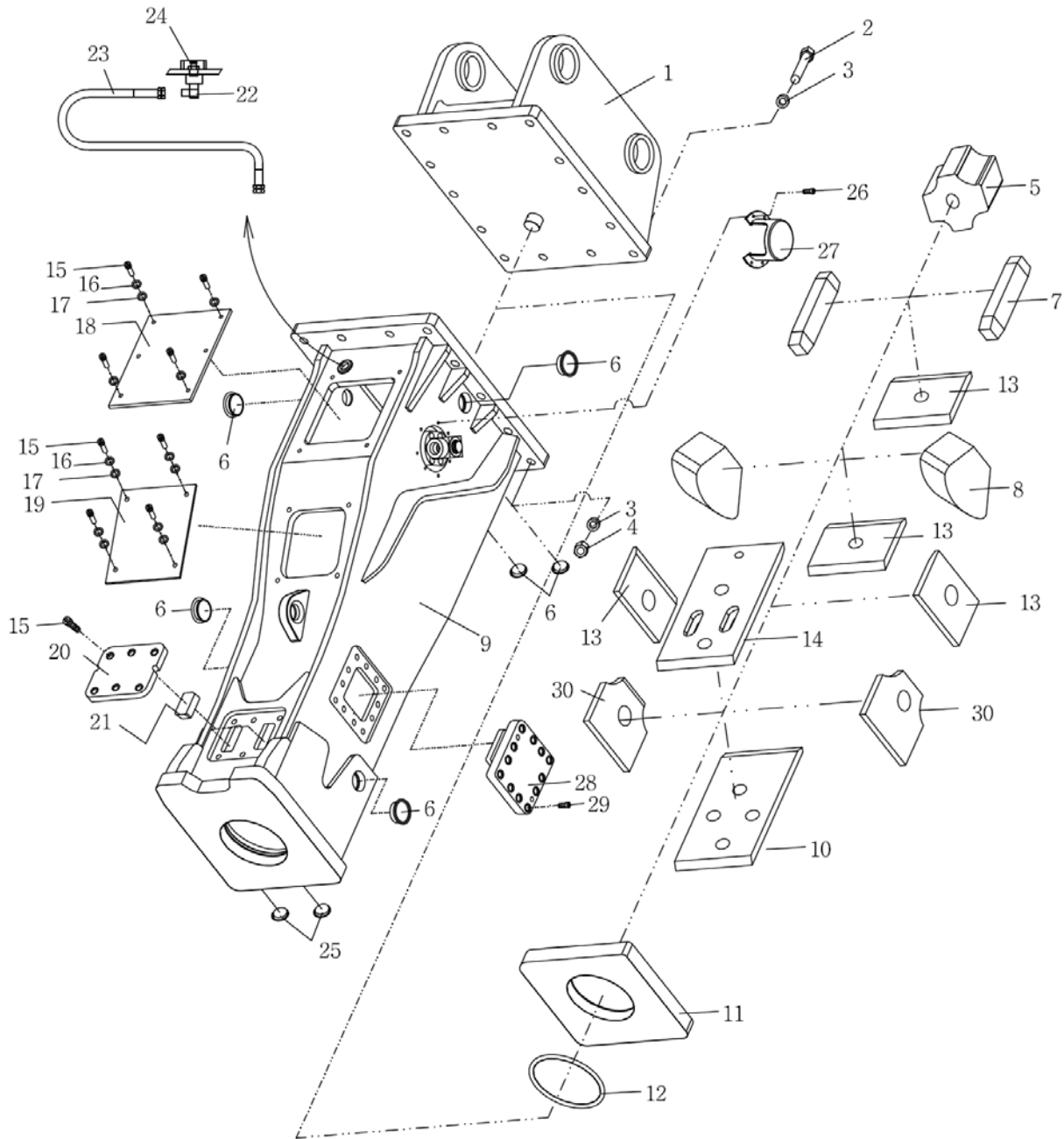
■ HK580S N2 GAS CHARGING KIT

No.	Part No.	Part Name	Q'ty	MEMO No. 5 : DF300520 - OPTION
0	DA698000	N ₂ GAS CHARGING KIT	1	
1	13105900	N ₂ GAS 3-WAY VALVE ASSEMBLY	1	
2	16802000	N ₂ HOSE	1	
3	13105910	N ₂ COUPLING KIT	1	
4	13105920	N ₂ GAS CYLINDER	1	
5	DF300520	EXTENSION STICK (OPTION)	1	

■ HK580S BRACKET

HK580S

HK580S BRACKET



■ HK580S BRACKET

■HK580S BRACKET				■HK580S BRACKET			
No.	Part No.	Part Name	Q'ty	No.	Part No.	Part Name	Q'ty
0	DM300000	PREMIUM BRACKET ASSEMBLY	1	28	DM300210	SIDE DAMPER	2
1	DM300020	TOP BRACKET	1	29	20212090	HEX SOCKET HEAD BOLT	24
2	20009850	HEX HEAD BOLT	14	30	DM300150	SIDE WEAR PLATE	2
3	13000150	FLAT WASHER	28	-	DM695200	DECAL KIT	1
4	12006460	NYLON NUT	14	MEMO			
5	DM300090	UPPER CUSHION	1				
6	D9300070	RUBBER CAP-S	6				
7	DK300110	SIDE PAD	2				
8	DM300110	SIDE CUSHION	2				
9	DM300010	PREMIUM BRACKET	1				
10	DM300140	BACK WEAR PLATE	1				
11	DM300100	DOWN CUSHION	1				
12	DM300120	DUST PROTECTION SEAL	1				
13	DM300070	DOWN WEAR PLATE	4				
14	DM300130	FRONT WEAR PLATE	1				
15	20212470	HEX SOCKET HEAD BOLT	16				
16	13001100	SPRING WASHER	10				
17	13000100	FLAT WASHER	10				
18	DM300200	UPPER COVER	1				
19	DM300240	DOWN COVER	1				
20	DM300030	RETAINER PIN COVER	1				
21	DL300060	RETAINER PIN CUSHION	2				
22	13009200	ELBOW ADAPTER	2				
23	DK300140	HOSE	1				
24	13007810	GREASE NIPPLE	1				
25	DK300160	RUBBER PLUG	2				
26	20211050	HEX SOCKET BOLT	10				
27	DK300170	IN-OUT FLANGE COVER	2				