

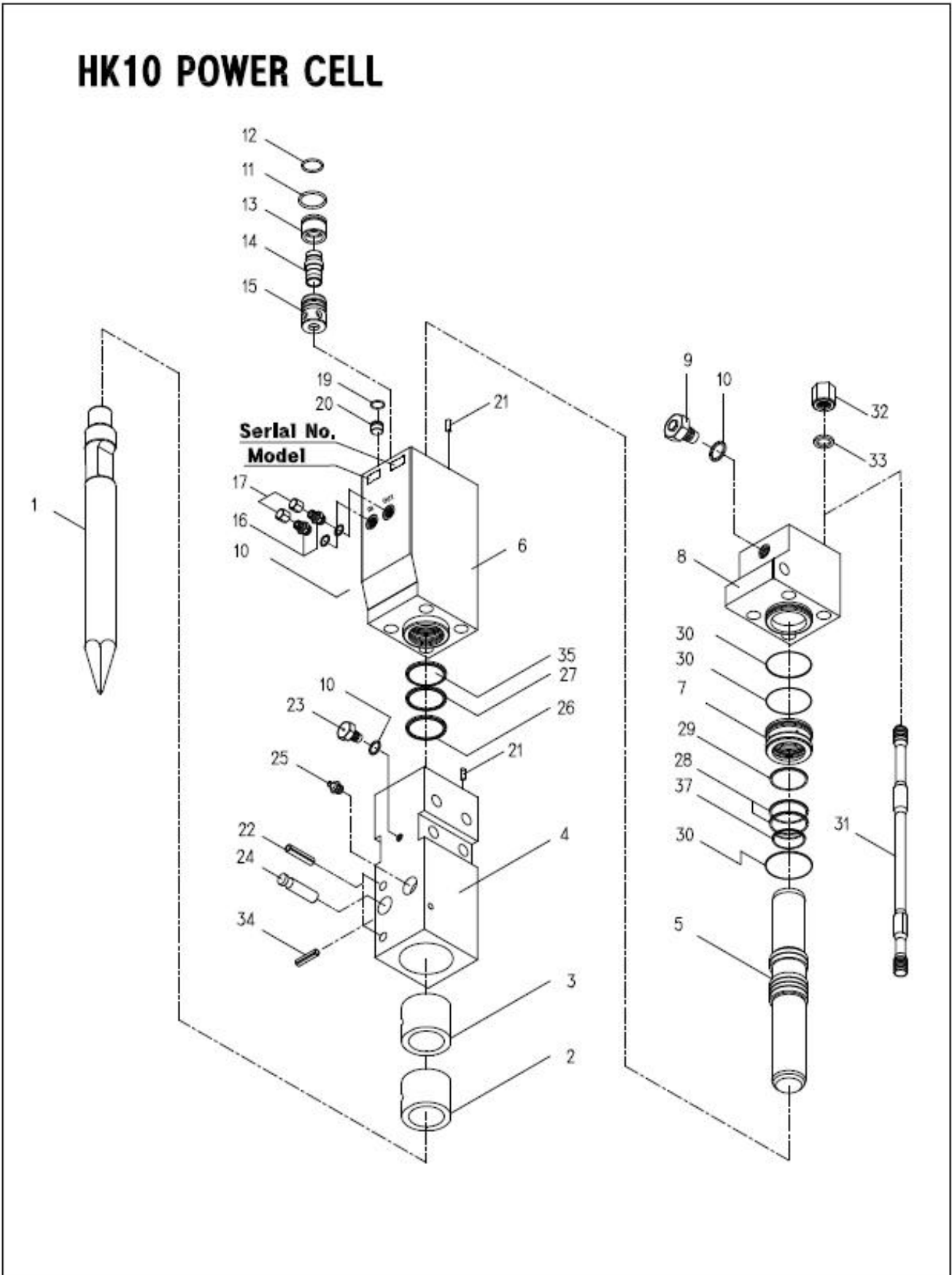


BHI HydroRam Hydraulic Hammer

HK10 Parts List



■ HK10 POWER CELL PARTS LIST



■ HK10 POWER CELL PARTS LIST

No.	Part No.	Part Name	Q'ty	No.	Part No.	Part Name	Q'ty
0	D1000000	POWER CELL ASSEMBLY	1	23	DK000080	POPPET VALVE	1
1	D1000190	TOOL(MOIL)	1	24	D1000150	RETAINER PIN	1
1-1	D1000200	TOOL(H-WEDGE)	0	25	13007810	GREASE NIPPLE	1
1-2	D1000220	TOOL(CONE)	0	26	22002380	DUST SEAL	1
1-3	D1000230	TOOL(BLUNT)	0	27	22003650	U PACKING SEAL	1
1-4	D1000210	TOOL(V-WEDGE)	0	28	22004200	U PACKING SEAL	2
1-5	D1000260	TOOL(SPADE H-WEDGE)	0	29	22200240	GAS SEAL	1
1-6	D1000270	TOOL(SPADE V-WEDGE)	0	30	22401400	O-RING	3
2	D1000160	TOOL HOLDER BUSHING	1	31	D1000120	TENSION BOLT	4
3	D1000170	ROUND BUSHING	1	32	D1000130	TOP NUT	4
4	D1000030	TOOL HOLDER	1	33	D1000140	TOP NUT WASHER	4
5	D1000040	PISTON	1	34	*	*	*
6	D1000010	CYLINDER	2	35	22000330	BUFFER RING SEAL	1
7	D1000070	CYLINDER BUSHING	1	*36	16801020	SPRING HOSE(PF*PF)	0
8	D1000020	HEAD CAP	1	36-1	16804020	SPRING HOSE(JIC*JIC)	2
9	D7000200	GAS VALVE ASSEMBLY	1	36-2	16811090	SPRING HOSE(ORFS*ORFS)	0
10	22402070	O-RING	4	36-3	16804130	HOSE(FOR SKID, JIC*JIC)	0
11	22402180	O-RING	1	37	22000340	BUFFER RING SEAL	1
12	22401320	O-RING	1	*	*	*	*
13	D1005110	MAIN VALVE CAP	1	*	D1691000	HEAD CAP SET	*
14	D1005090	MAIN VALVE	1	*	D1691100	CYLINDER SET	*
15	D1005100	MAIN VALVE CASE	1	*	D1691200	TOOL HOLDER SET	*
16	13008830	O-RING ADAPTER(PF*PF)	0	*	D1691400	TENSION BOLT SET	*
16-1	13009330	O-RING ADAPTER(FP*JIC)	2	*	D1691300	MAIN VALVE SET	*
16-2	13009520	O-RING ADAPTER(PF*ORFS)	0	MEMO			
17	13007110	UNION CAP(PF)	0				
17-1	13007040	UNION CAP(JIC)	2				
17-2	13007420	UNION CAP(ORFS)	0				
*18	13006530	HOSE PLUG(PF)	0				
18-1	13008400	HOSE PLUG(JIC)	2				
18-2	13008220	HOSE PLUG(JIC)	0				
19	22402000	O-RING	3				
20	D1000280	TEFRON PLUG	3				
21	DG000260	PIN	4				
22	D1000240	SPRING PIN	3				

■ HK10 SPARE SEAL KIT PARTS LIST

No.	Part No.	Part Name	Q'ty	No.	Part No.	Part Name	Q'ty
0	D1691500	SPARE SEAL KIT	1	MEMO			
1	22402070	O-RING	4				
2	22402180	O-RING	1				
3	22401320	O-RING	1				
4	D1000280	TEFRON PLUG	3				
5	22402000	O-RING	3				
6	22002380	DUST SEAL	1				
7	22003650	U PACKING SEAL	1				
8	22004200	U PACKING SEAL	2				
9	22200240	GAS SEAL	1				
10	22401400	O-RING	3				
11	22000330	BUFFER RING SEAL	1				
12	22000340	BUFFER RING SEAL	1				

■ HK10 TOOL KIT PARTS LIST

No.	Part No.	Part Name	Q'ty			Remarks
			Side	Top	Silence	
0	-	TOOL KIT	D1691600	D1691700	D1691800	HK10
1	16502990	TOOL BOX	1	1	1	No.2
2	16500260	COMBI SPANNER	1	1	1	14mm
3	16502100	DOUBLE SPANNER	1	1	1	27x30mm
4	16501140	L-WRENCH	1	1	1	5mm
5	16501150	L-WRENCH	1	1	1	6mm
6	16502470	SINGLE SPANNER	1	1	1	24mm

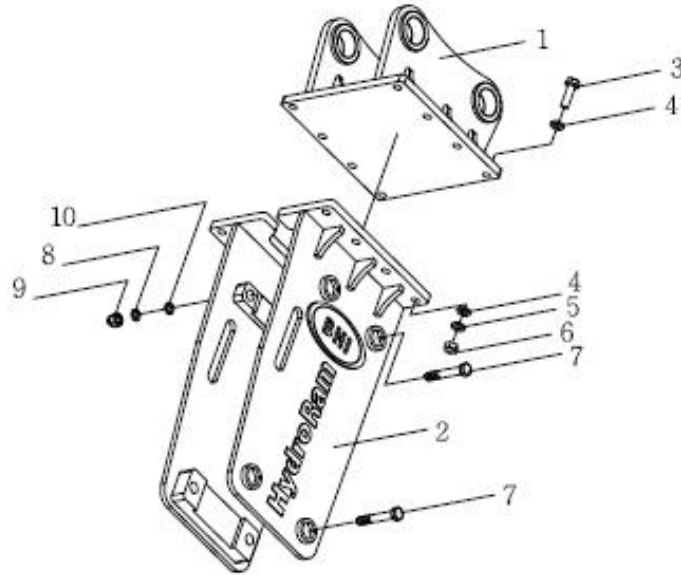
■ HK10 N2 GAS CHARGING KIT PARTS LIST

No.	Part No.	Part Name	Q'ty	MEMO
0	D1698000	N ₂ GAS CHARGING KIT	1	
1	13105900	N ₂ GAS 3-WAY VALVE ASSEMBLY	1	
2	16802000	N ₂ HOSE	1	
3	13105910	N ₂ COUPLING KIT	1	
4	13105930	N ₂ GAS CYLINDER	1	
5	DF300520	EXTENSION STICK	1	

■ HK10 BRACKET PARTS LIST

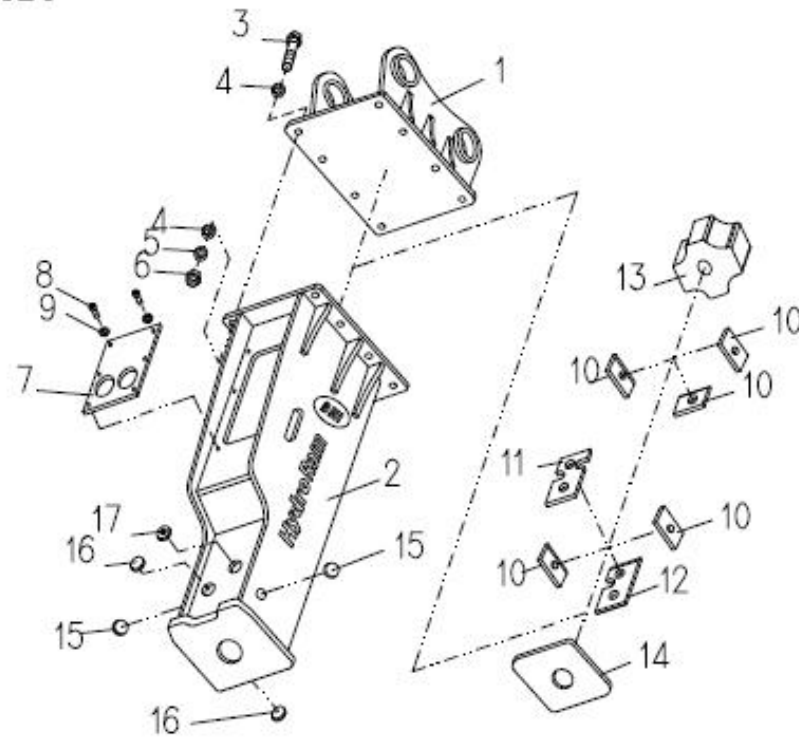
HK10

TOP BRACKET



BHI

SILENCE BRACKET



BHI

■ HK10 BRACKET PARTS LIST

■ HK10 TOP BRACKET				■ HK10S SILENCE BRACKET			
No.	Part No.	Part Name	Q'ty	No.	Part No.	Part Name	Q'ty
0	D1200000	TOP BRACKET ASSEMBLY	1	0	D1300000	SILENCE BRACKET ASSEMBLY	1
1	D1200070	TOP BRACKET	1	1	D1200050	TOP BRACKET	1
2	D1200010	SIDE PLATE BRACKET	1	2	D1300010	SILENCE BRACKET	1
3	20007140	HEX HEAD BOLT	12	3	20007140	HEX HEAD BOLT	8
4	13000090	FLAT WASHER	24	4	13000090	FLAT WASHER	16
5	13001090	SPRING WASHER	12	5	13001090	SPRING WASHER	8
6	12001450	HEX HEAD NUT	12	6	12001450	HEX HEAD NUT	8
7	20008100	HEX HEAD BOLT	4	7	D1300020	COVER	1
8	13001100	SPRING WASHER	4	8	20210700	HEX SOCKET HEAD BOLT	6
9	12001460	HEX HEAD NUT	4	9	13000050	FLAT WASHER	6
10	13000100	FLAT WASHER	4	10	D1300030	SIDE WEAR PLATE	5
*	D1693010	SET BOLT SET	*	11	D1300040	LOW FRONT WEAR PLATE(1)	1
*	D1695100	DECAL KIT(TOP)	*	12	D1300050	LOW FRONT WEAR PLATE(2)	1
MEMO				13	D1300070	UPPER CUSHION	1
				14	D1300080	DOWN CUSHION	1
				15	D1300100	RUBBER PLUG	2
				16	D1300120	RUBBER PLUG	2
				17	D1300110	GREASING PLUG	1
				*	D1695200	DECAL KIT(SILENCE TYPE)	*
				MEMO			

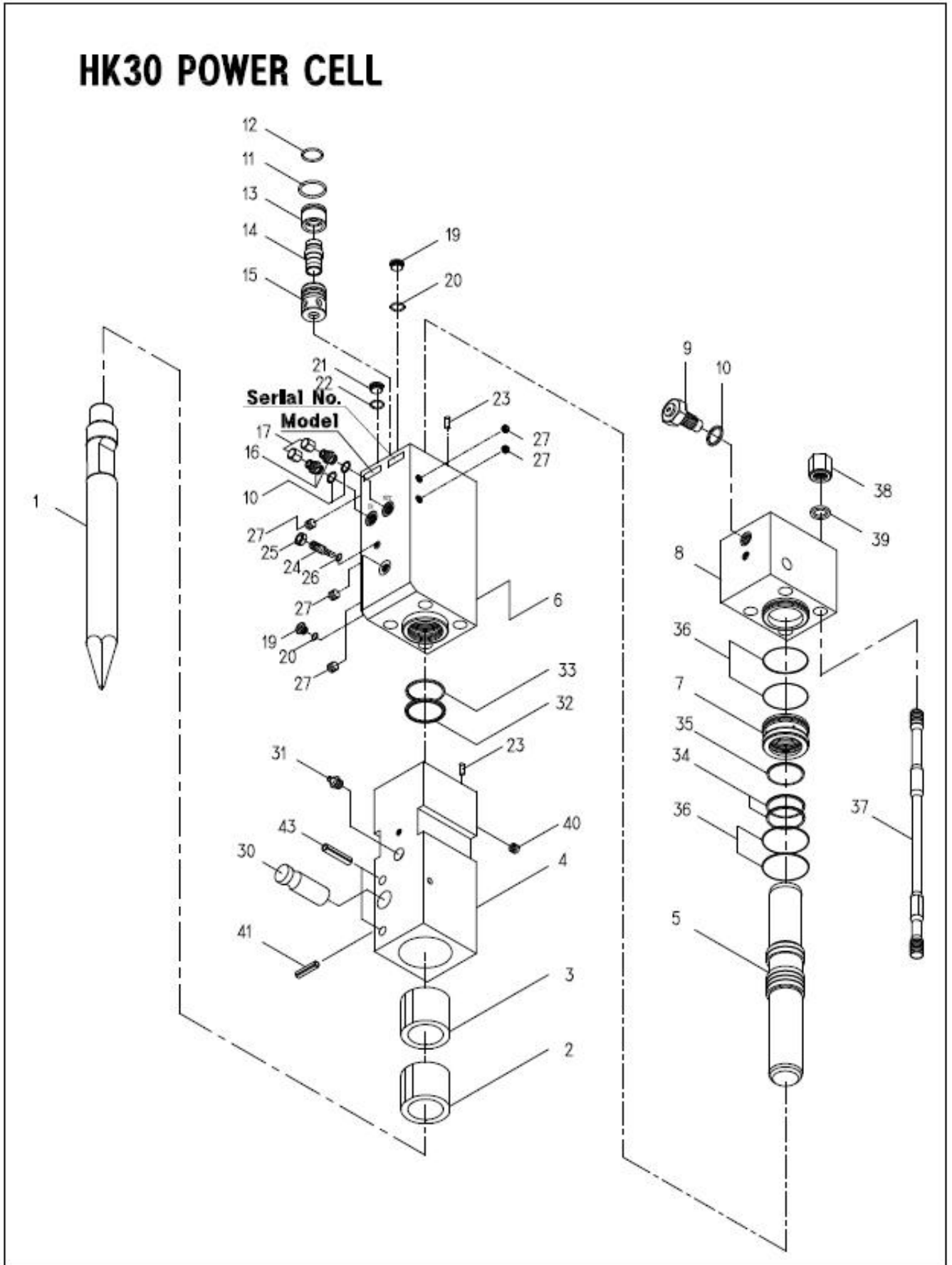


BHI
HydroRam
Hydraulic Hammer

HK30
Parts List



■ HK30 POWER CELL PARTS LIST



■ HK30 POWER CELL PARTS LIST

No.	Part No.	Part Name	Q'ty	No.	Part No.	Part Name	Q'ty
0	D3000000	POWER CELL ASSEMBLY	1	23	D1000050	PIN	4
1	D3000210	TOOL(MOIL)	1	24	DC000330	CYLINDER ADJUSTER	1
1-1	D3000220	TOOL(H-WEDGE)	0	25	12001430	ADJUSTER NUT	1
1-2	D3000250	TOOL(CONE)	0	26	22401930	O-RING	1
1-3	D3000240	TOOL(BLUNT)	0	27	13006010	PT SOCKET PLUG	7
1-4	D3000230	TOOL(V-WEDGE)	0	28	*	*	*
1-5	D3000260	TOOL(SPADE H-WEDGE)	0	29	*	*	*
1-6	D3000270	TOOL(SPADE V-WEDGE)	0	30	D3000170	RETAINER PIN	1
2	D3000060	TOOL HOLDER BUSHING	1	31	13007800	GREASE NIPPLE	1
3	D3000020	ROUND BUSHING	1	32	22001780	DUST SEAL	1
4	D3000080	TOOL HOLDER	1	33	22003690	U PACKING SEAL	2
5	D3000040	PISTON	1	34	22300170	STEP SEAL	2
6	D3000010	CYLINDER	2	35	22200180	GAS SEAL	1
7	D3000050	CYLINDER BUSHING	1	36	22401430	O-RING	4
8	D3000100	HEAD CAP	1	37	D3000090	TENSION BOLT	4
9	D7000200	GAS VALVE ASSEMBLY	1	38	D3000130	TOP NUT	4
10	22402070	O-RING	3	39	D3000140	TOP NUT WASHER	4
11	22401330	O-RING	1	40	D4000230	ORIFICE SOCKET PLUG	1
12	22402090	O-RING	1	41	D1000240	SPRING PIN	1
13	D3000470	MAIN VALVE CAP	1	*42	16800230	SPRING HOSE(PF*PF)	0
14	D3000450	MAIN VALVE	1	42-1	16804020	SPRING HOSE(JIC*JIC)	2
15	D3000460	MAIN VALVE CASE	1	42-2	16811090	SPRING HOSE(ORFS*ORFS)	0
16	13008830	O-RING ADAPTER(PF*PF)	0	42-3	16804130	HOSE(FOR SKID, JIC*JIC)	0
16-1	13009330	O-RING ADAPTER(PF*JIC)	2	43	D1000250	SPRING PIN	2
16-2	13009520	O-RING ADAPTER(PF*ORFS)	0	*	*	*	*
17	13007110	UNION CAP(PF)	0	*	D3691000	HEAD CAP SET	*
17-1	13007020	UNION CAP(JIC)	2	*	D3691100	CYLINDER SET	*
17-2	13007420	UNION CAP(ORFS)	0	*	D3691200	TOOL HOLDER SET	*
*18	13006530	HOSE PLUG(PF)	0	*	D3691300	MAIN VALVE SET	*
18-1	13008400	HOSE PLUG(JIC)	2	*	D3691400	TENSION BOLT SET	*
18-2	13008220	HOSE PLUG(ORFS)	0	MEMO			
19	D4000280	M18 SOCKET PLUG	2				
20	22402060	O-RING	2				
21	DE000340	PF SOCKET PLUG	1				
22	22402000	O-RING	1				

■ HK30 SPARE SEAL KIT PARTS LIST

No.	Part No.	Part Name	Q'ty	No.	Part No.	Part Name	Q'ty
0	D3691500	SPARE SEAL KIT	1	MEMO			
1	22402070	O-RING	3				
2	22401330	O-RING	1				
3	22402090	O-RING	1				
4	22402060	O-RING	2				
5	22402000	O-RING	1				
6	22401930	O-RING	1				
7	22001780	DUST SEAL	1				
8	22003690	U PACKING SEAL	2				
9	22300170	STEP SEAL	2				
10	22200180	GAS SEAL	1				
11	22401430	O-RING	4				

■ HK30 TOOL KIT PARTS LIST

No.	Part No.	Part Name	Q'ty			Remarks
			Side	Top	Silence	
0	-	TOOL KIT	D3691600	D3691700	D3691800	HK30
1	16502990	TOOL BOX	1	1	1	No.2
2	16500260	COMBI SPANNER	1	1	1	14mm
3	16502100	DOUBLE SPANNER	1	1	1	27x30mm
4	16501140	L-WRENCH	1	1	1	5mm
5	16501150	L-WRENCH	1	1	1	6mm

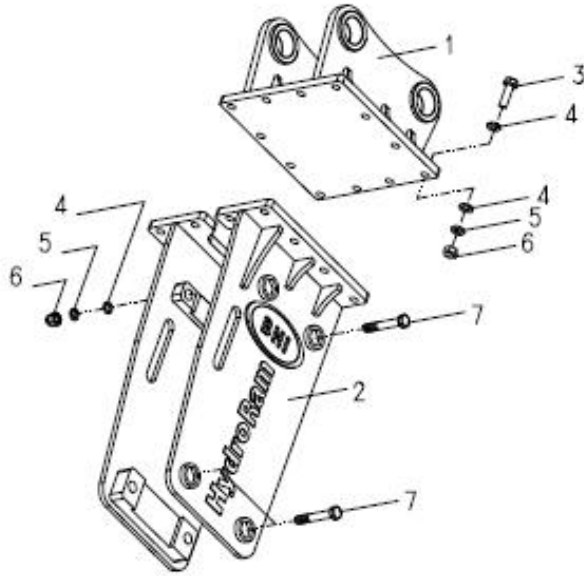
■ HK30 N2 GAS CHARGING KIT PARTS LIST

No.	Part No.	Part Name	Q'ty	MEMO
0	D5698000	N ₂ GAS CHARGING KIT	1	
1	13105900	N ₂ GAS 3-WAY VALVE ASSEMBLY	1	
2	16802000	N ₂ HOSE	1	
3	13105910	N ₂ COUPLING KIT	1	
4	13105930	N ₂ GAS CYLINDER	1	

■ HK30 BRACKET PARTS LIST

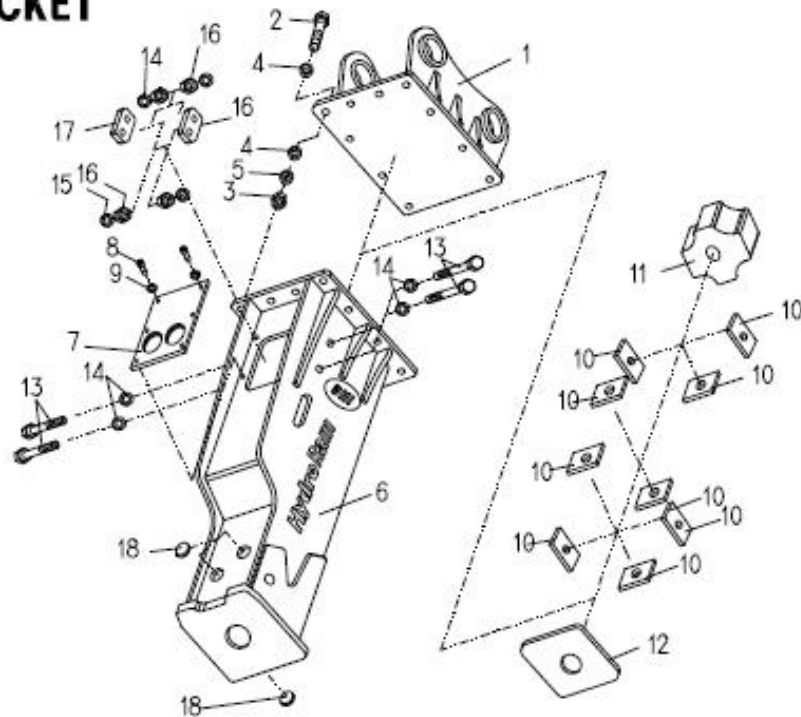
HK30

TOP BRACKET



BHI

SILENT BRACKET



BHI

■ HK30 BRACKET PARTS LIST

■ HK30 TOP BRACKET				■ HK30S SILENCE BRACKET			
No.	Part No.	Part Name	Q'ty	No.	Part No.	Part Name	Q'ty
0	D3200000	TOP BRACKET ASSEMBLY	1	0	D3300000	SILENCE BRACKET ASSEMBLY	1
1	D3200050	TOP BRACKET	1	1	D3200050	TOP BRACKET	1
2	D3200010	SIDE PLATE BRACKET	1	2	20007500	HEX HEAD BOLT	12
3	20007500	HEX HEAD BOLT	12	3	12001460	HEX HEAD NUT	12
4	13000100	FLAT WASHER	16	4	13000100	FLAT WASHER	12
5	13001100	SPRING WASHER	16	5	13001100	SPRING WASHER	12
6	12001460	HEX HEAD NUT	16	6	D3300010	SILENCE BRACKET	1
7	20007780	HEX HEAD BOLT	4	7	D3300020	COVER	1
*	D3693000	SET BOLT SET	*	8	20210700	HEX SOCKET HEAD BOLT	6
*	D3695100	DECAL KIT (TOP)	*	9	13000050	FLAT WASHER	6
MEMO				10	D3300030	SIDE WEAR PLATE	9
				11	D1300070	UPPER CUSHION	1
				12	D3300040	DOWN CUSHION	1
				13	20006770	HEX HEAD BOLT	4
				14	13000080	FLAT WASHER	4
				15	13001080	SPRING WASHER	4
				16	12001440	HEX HEAD NUT	4
				17	D1300090	STOPPER	2
				18	D2300080	RUBBER PLUG	3
				*	D3695200	DECAL KIT (SILENCE)	*
				MEMO			



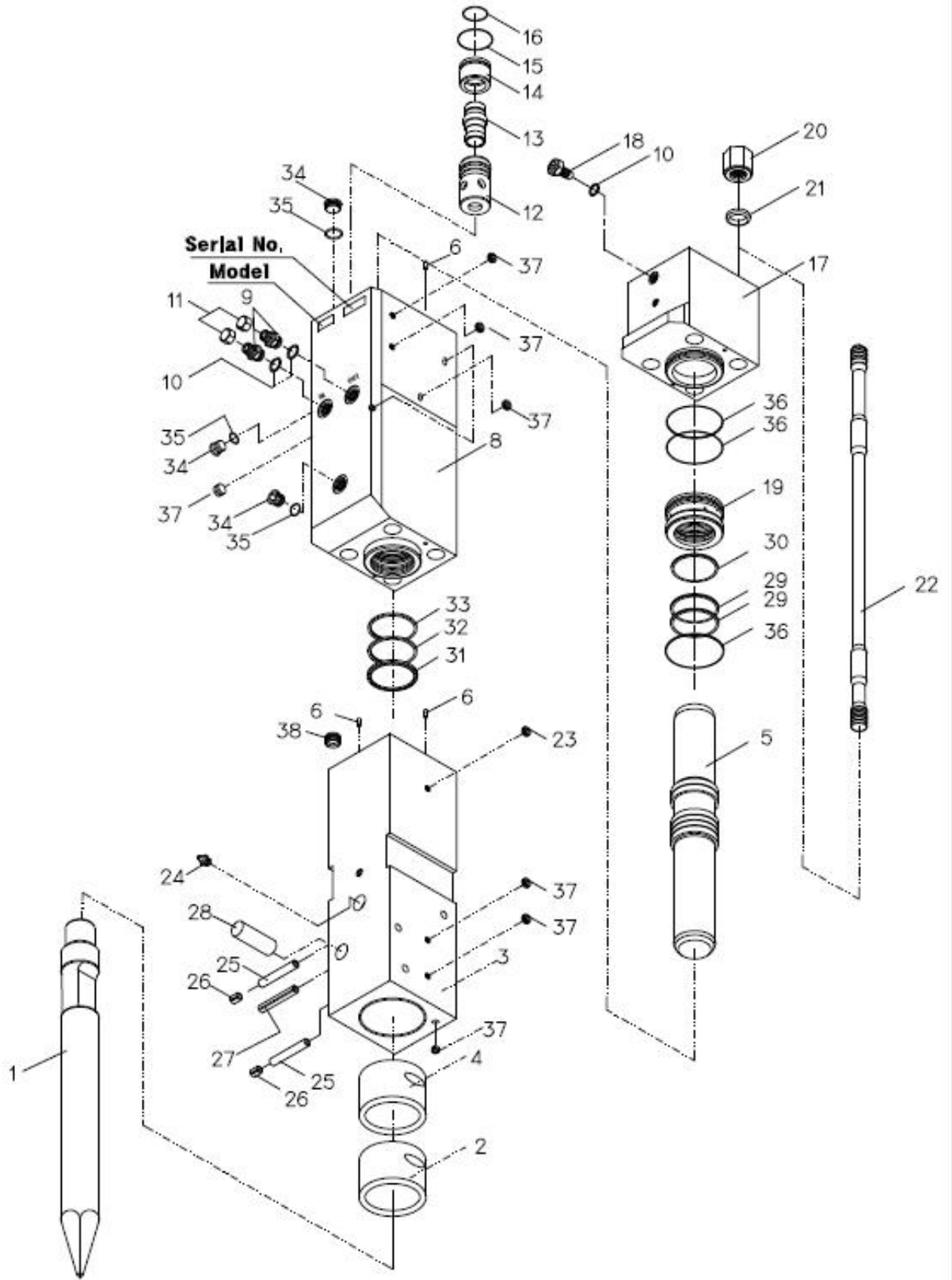
BHI
HydroRam
Hydraulic Hammer

HK40
Parts List



■ HK40 POWER CELL PARTS LIST

HK40 POWER CELL



■ HK40 POWER CELL PARTS LIST

No.	Part No.	Part Name	Q'ty	No.	Part No.	Part Name	Q'ty
0	D4000000	POWER CELL ASSEMBLY	1	25	D4000240	STOP PIN	2
1	D4000050	TOOL(MOIL)	1	26	D4000250	SPRING PIN	2
1-1	D4000060	TOOL(H-WEDGE)	0	27	D4000260	SPRING PIN	1
1-2	D4000090	TOOL(CONE)	0	28	D4000270	RETAINER PIN	1
1-3	D4000080	TOOL(BLUNT)	0	29	22300020	STEP SEAL	2
1-4	D4000070	TOOL(V-WEDGE)	0	30	22200030	GAS SEAL	1
1-5	D4000100	TOOL(SPADE H-WEDGE)	0	31	22002510	DUST SEAL	1
1-6	D4000110	TOOL(SPADE V-WEDGE)	0	32	22003760	U PACKING SEAL	1
2	D4000140	TOOL HOLDER BUSHING	1	33	22000080	BUFFER SEAL	1
3	D4000150	TOOL HOLDER	1	34	D4000280	M18 SOCKET PLUG	5
4	D4000160	ROUND BUSHING	1	35	22402060	O-RING	5
5	D4000320	PISTON	1	36	22401460	O-RING	3
6	D9000050	PIN	4	37	13006010	PT SOCKET PLUG	8
8	D4000180	CYLINDER	1	38	13103210	HELI COIL SPRING	4
9	13008830	O-RING ADAPTER(PF*PF)	0	*39	16800010	SPRING HOSE(PF*PF)	0
9-1	13009330	O-RING ADAPTER(PF*JIC)	2	39-1	16804060	SPRING HOSE(JIC*JIC)	2
9-2	13009520	O-RING ADAPTER(PF*ORFS)	0	39-2	16811130	SPRING HOSE(ORFS*ORFS)	0
10	22402070	O-RING	3	39-3	16804130	HOSE(FOR SKID, JIC*JIC)	0
11	13007110	UNION CAP(PF)	0	*40	13006530	HOSE PLUG(PF)	0
11-1	13007020	UNION CAP(JIC)	2	40-1	13008400	HOSE PLUG(JIC)	2
11-2	13007420	UNION CAP(ORFS)	0	40-2	13008220	HOSE PLUG(ORFS)	0
12	D5000230	MAIN VALVE CASE	1	*	*	*	*
13	D5000240	MAIN VALVE	1	*	D4691000	HEAD CAP SET	*
14	D5000220	MAIN VALVE CAP	1	*	D4691100	CYLINDER SET	*
15	22402300	O-RING	1	*	D4691200	TOOL HOLDER SET	*
16	22401330	O-RING	1	*	D5691300	MAIN VALVE SET	*
17	D4000190	HEAD CAP	1	*	D4691400	TENSION BOLT SET	*
18	D7000200	GAS VALVE ASSEMBLY	1	MEMO			
19	D5000270	CYLINDER BUSHING	1				
20	D4000200	TOP NUT	4				
21	D4000210	TENSION BOLT WASHER	4				
22	D4000220	TENSION BOLT	4				
23	D4000230	ORIFICE SOCKET PLUG	1				
24	13007810	GREASE NIPPLE	1				

■ HK40 SPARE SEAL KIT PARTS LIST

No.	Part No.	Part Name	Q'ty	MEMO
0	D4691500	SPARE SEAL KIT	1	
1	22402070	O-RING	3	
2	22402300	O-RING	1	
3	22401330	O-RING	1	
4	22300020	STEP SEAL	2	
5	22200030	GAS SEAL	1	
6	22002510	DUST SEAL	1	
7	22003760	U PACKING SEAL	1	
8	22000080	BUFFER SEAL	1	
9	22402060	O-RING	5	
10	22401460	O-RING	3	

■ HK40 TOOL KIT PARTS LIST

No.	Part No.	Part Name	Q'ty			Remarks
			Side	Top	Silence	
0	-	TOOL KIT	D4691600	D4691700	D4691800	HK40
1	16503000	TOOL BOX	1	1	1	No.2
2	16500260	COMBI SPANNER	1	1	1	14mm
3	16502100	DOUBLE SPANNER	1	1	1	27x30mm
4	16502470	SINGLE SPANNER	1	1	1	24mm
5	16502520	SINGLE SPANNER	1	1	1	36mm
6	16501140	L-WRENCH	1	1	1	5mm
7	16501160	L-WRENCH	1	1	1	8mm

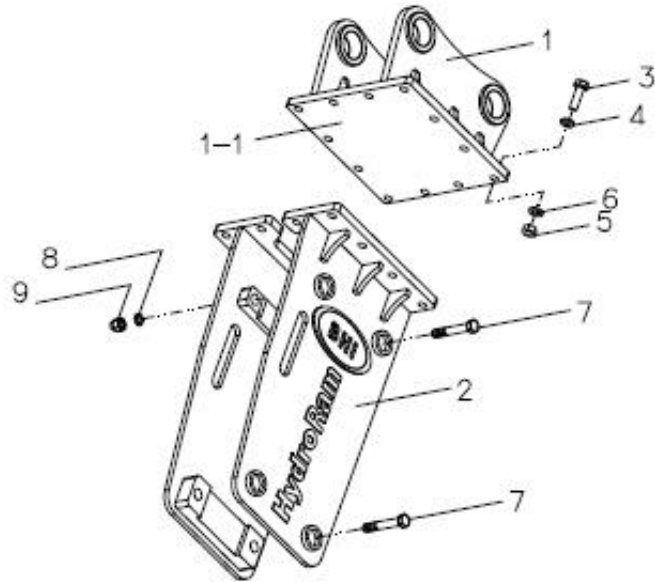
■ HK40 N2 GAS CHARGING KIT PARTS LIST

No.	Part No.	Part Name	Q'ty	MEMO
0	D5698000	N ₂ GAS CHARGING KIT	1	
1	13105900	N ₂ GAS 3-WAY VALVE ASSEMBLY	1	
2	16802000	N ₂ HOSE	1	
3	13105910	N ₂ COUPLING KIT	1	
4	13105930	N ₂ GAS CYLINDER	1	

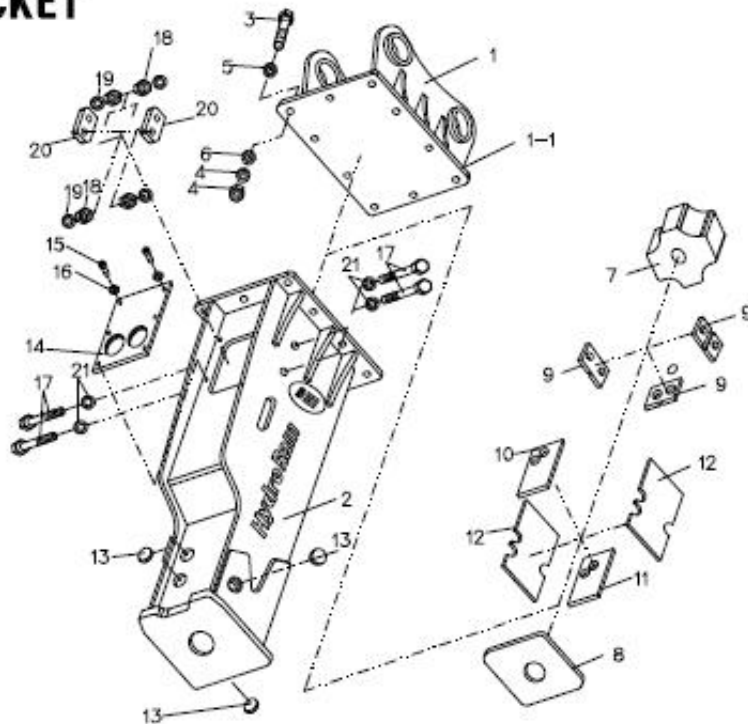
■ HK40 BRACKET PARTS LIST

HK40

TOP BRACKET



SILENCE BRACKET

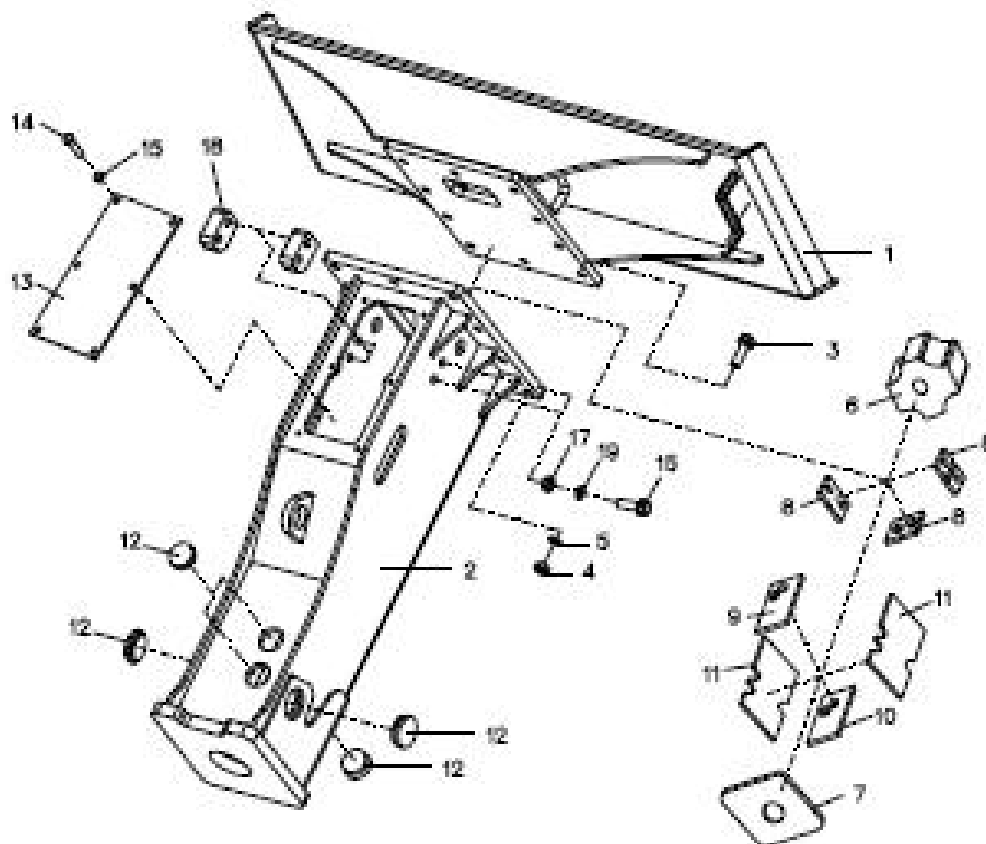


■ HK40 BRACKET PARTS LIST

■ HK40 TOP BRACKET				■ HK40S SILENCE BRACKET			
No.	Part No.	Part Name	Q'ty	No.	Part No.	Part Name	Q'ty
0	D4200000	TOP BRACKET ASSEMBLY	1	0	D4300000	SILENCE BRACKET ASSEMBLY	1
1	D4200040	TOP BRACKET	1	1	D4300090	TOP BRACKET	1
2	D4200010	SIDE PLATE BRACKET	1	2	D4300010	SILENCE BRACKET	1
3	20007150	HEX HEAD BOLT	12	3	20007150	HEX HEAD BOLT	10
4	13000090	FLAT WASHER	24	4	12001450	HEX HEAD NUT	10
5	12001450	HEX HEAD NUT	12	5	13000090	FALT WASHER	20
6	13001090	SPRING WASHER	12	6	13001090	SPRING WASHER	10
7	20035180	HEX HEAD BOLT	4	7	D4300020	UPPER CUSHION	1
8	13001130	SPRING WASHER	4	8	D4300030	DOWN CUSHION	1
9	12005990	CAP NUT	4	9	D5300080	SIDE WEAR PLATE	3
*	D4693000	SET BOLT SET	*	10	D4300040	LOW FRONT WEAR PLATE(1)	1
*	D4695100	DECAL KIT (TOP)	*	11	D4300050	LOW FRONT WEAR PLATE(2)	1
MEMO				12	D4300060	LOW SIDE WEAR PLATE	2
				13	D9300070	RUBBER CAP-S	5
				14	D4300070	COVER PLATE	1
				15	20211030	HEX SOCKET HEAD BOLT	6
				16	13000060	FLAT WASHER	6
				17	20006790	HEX HEAD BOLT	4
				18	12001440	HEX HEAD NUT	4
				19	13001080	SPRING WASHER	4
				20	D4300080	STOPPER	2
				21	13000080	FLAT WASHER	8
				*	D4695200	DECAL KIT (SILENCE)	*
				MEMO			

■ HK40S BRACKET - Only Skid bracket type(option)

■ HK40S SKID STEER BRACKET



No.	Part No.	Part Name	Q'ty	No.	Part No.	Part Name	Q'ty
0	D4401010	SKID BRACKET ASSEMBLY	1	11	D4300060	LOW SIDE WEAR PLATE	2
1	D4401020	SKID STEER BRACKET	1	12	D9300070	RUBBER CAP-S	5
2	D4300150	BRACKET BODY	1	13	D4300190	COVER PLATE	1
3	20007150	HEX HEAD BOLT	10	14	20211030	HEX SOCKET HEAD BOLT	6
4	12001450	HEX HEAD NUT	10	15	13000060	FLAT WASHER	6
5	13000090	FLAT WASHER	20	16	20006790	HEX HEAD BOLT	4
6	D4300020	UPPER CUSHION	1	17	12001440	HEX HEAD NUT	4
7	D4300030	DOWN CUSHION	1	18	D4300080	STOPPER	2
8	D5300080	SIDE WEAR PLATE	3	19	13000080	FLAT WASHER	4
9	D4300040	LOW FRONT WEAR PLATE(1)	1	*	D4695200	DECAL KIT(SILENCE)	*
10	D4300050	LOW FRONT WEAR PLATE(2)	1	*	*	*	*

* No. 13 :~2013.12.31 : D4300180

MEMO



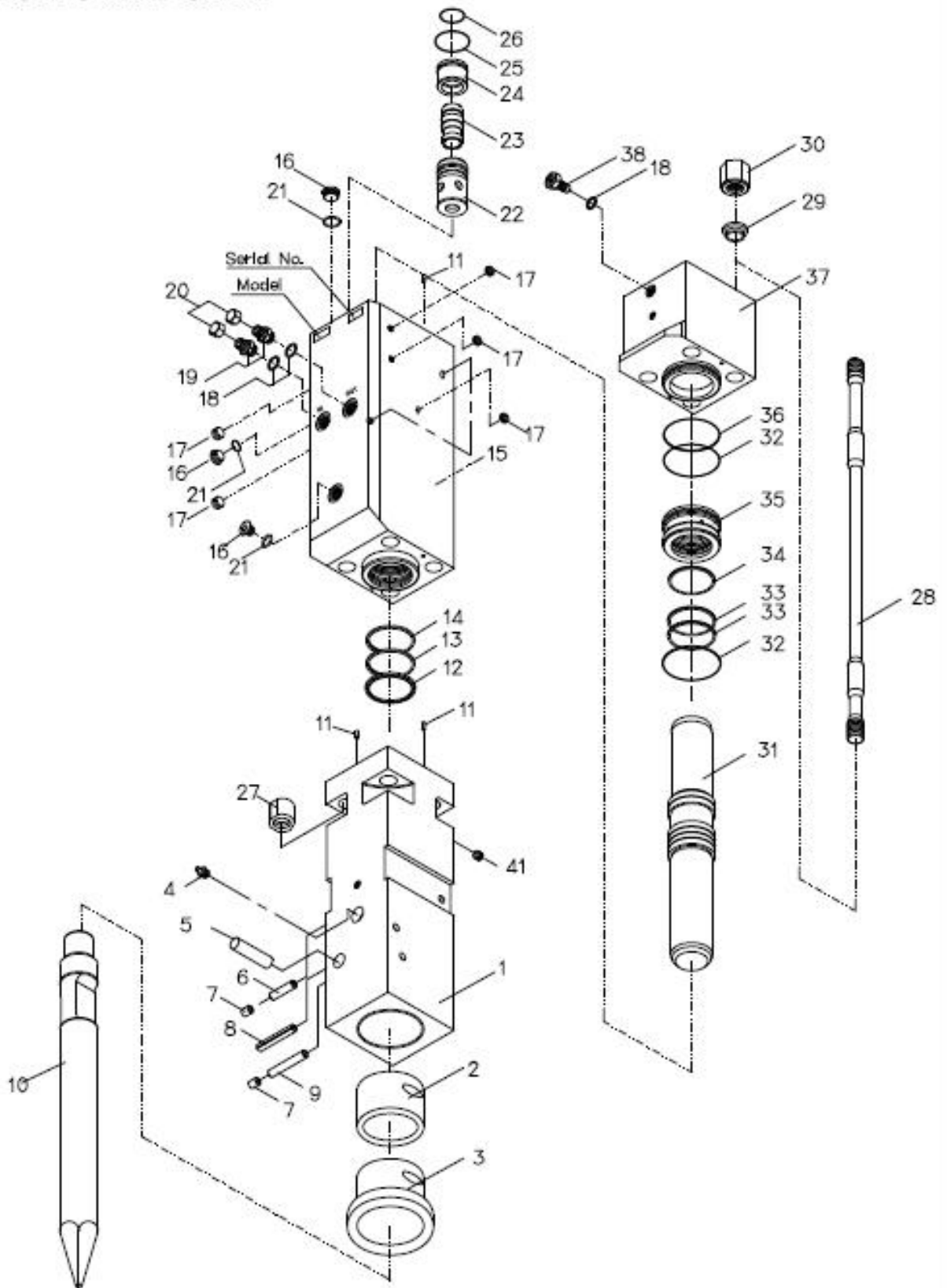
BHI
HydroRam
Hydraulic Hammer

HK45
Parts List



■ HK45 POWER CELL PARTS LIST

HK45 POWER CELL



■ HK45 POWER CELL PARTS LIST

No.	Part No.	Part Name	Q'ty	No.	Part No.	Part Name	Q'ty
0	D5000000	POWER CELL ASSEMBLY	1	23	D5000240	MAIN VALVE	1
1	D5000130	TOOL HOLDER	1	24	D5000220	MAIN VALVE CAP	1
2	D5000140	ROUND BUSHING	1	25	22402300	O-RING	1
3	D5000120	TOOL HOLDER BUSHING	1	26	22401330	O-RING	1
4	13007810	GREASE NIPPLE	1	27	D5000160	BOTTOM NUT	4
5	D5000250	RETAINER PIN	1	28	D5000170	TENSION BOLT	4
6	D5000300	STOP PIN(B)	1	29	D5000190	TOP NUT WASHER	4
7	13007320	RUBBER PLUG	2	30	D4000200	TOP NUT	4
8	D4000260	SPRING PIN	1	31	D5000380	PISTON	1
9	D5000260	STOP PIN(A)	1	32	22401460	O-RING	2
10	D5000050	TOOL(MOIL)	1	33	22300020	STEP SEAL	2
10-1	D5000070	TOOL(H-WEDGE)	0	34	22200030	GAS SEAL	1
10-2	D5000060	TOOL(CONE)	0	35	D5000270	CYLINDER BUSHING	1
10-3	D5000090	TOOL(BLUNT)	0	36	22401480	O-RING	1
10-4	D5000080	TOOL(V-WEDGE)	0	37	D5000210	HEAD CAP	1
10-5	D5000100	TOOL(SPADE H-WEDGE)	0	38	D7000200	GAS VALVE ASSEMBLY	1
10-6	D5000110	TOOL(SPADE V-WEDGE)	0	*39	16800010	SPRING HOSE(PF*PF)	0
11	D9000050	PIN	4	39-1	16804060	SPRING HOSE(JIC*JIC)	2
12	22002510	DUST SEAL	1	39-2	16811130	SPRING HOSE(ORFS*ORFS)	0
13	22003760	U PACKING SEAL	1	39-3	16804130	HOSE(FOR SKID, JIC*JIC)	0
14	22000080	BUFFER SEAL	1	*40	13006530	HOSE PLUG(PF)	0
15	D5000180	CYLINDER	1	40-1	13008400	HOSE PLUG(JIC)	2
16	D4000280	M18 SOCKET PLUG	6	40-2	13008220	HOSE PLUG(ORFS)	0
17	13006010	PT SOCKET PLUG	8	41	D4000230	ORIFICE PLUG	1
18	22402070	O-RING	3	*	*	*	*
19	13008830	O-RING ADAPTER(PF*PF)	0	*	D5691000	HEAD CAP SET	*
19-1	13009330	O-RING ADAPTER(PF*JIC)	2	*	D5691100	CYLINDER SET	*
19-2	13009520	O-RING ADAPTER(PF*ORFS)	0	*	D5691200	TOOL HOLDER SET	*
20	13007110	UNION CAP(PF)	0	*	D5691300	MAIN VALVE SET	*
20-1	13007020	UNION CAP(JIC)	2	*	D5691400	TENSION BOLT SET	*
20-2	13007420	UNION CAP(ORFS)	0	MEMO			
21	22402060	O-RING	6				
22	D5000230	MAIN VALVE CASE	1				

■ HK45 SPARE SEAL KIT PARTS LIST

No.	Part No.	Part Name	Q'ty	MEMO
0	D5691500	SPARE SEAL KIT	1	
1	22002510	DUST SEAL	1	
2	22003760	U PACKING SEAL	1	
3	22000080	BUFFER SEAL	1	
4	22402070	O-RING	3	
5	22402060	O-RING	6	
6	22402300	O-RING	1	
7	22401330	O-RING	1	
8	22401460	O-RING	2	
9	22300020	STEP SEAL	2	
10	22200030	GAS SEAL	1	
11	22401480	O-RING	1	

■ HK45 TOOL KIT PARTS LIST

No.	Part No.	Part Name	Q'ty			Remarks
			Side	Top	Silence	
0	-	TOOL KIT	D5691600	D5691700	D5691800	HK45
1	16503000	TOOL BOX	1	1	1	No.2
2	16500260	COMBI SPANNER	1	1	1	14mm
3	16502100	DOUBLE SPANNER	1	1	1	27x30mm
4	16502470	SINGLE SPANNER	-	1	1	24mm
5	16502520	SINGLE SPANNER	1	1	1	36mm
6	16501140	L WRENCH	1	1	1	5mm
7	16501160	L WRENCH	1	1	1	8mm
8	16503090	HANDLE RETAINER PIN	1	1	1	M12
9	16500700	HAMMER RING WRENCH	1	1	-	41mm

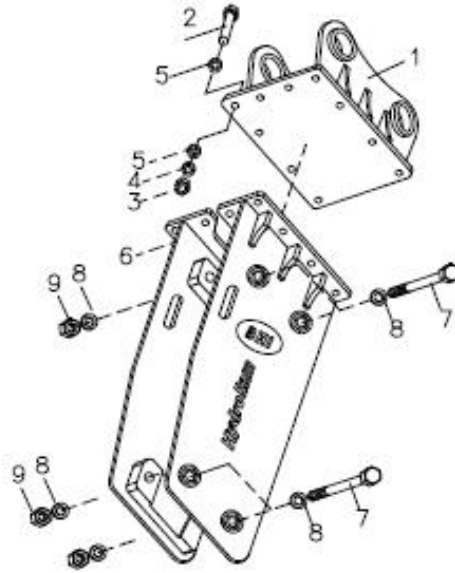
■ HK45 N₂ GAS CHARGING KIT PARTS LIST

No	Part No	Part Name	Q'ty	MEMO
0	D5698000	N ₂ GAS CHARGING KIT	1	
1	13105900	N ₂ GAS 3-WAY VALVE ASSEMBLY	1	
2	16802000	N ₂ HOSE	1	
3	13105910	N ₂ COUPLING KIT	1	
4	13105930	N ₂ GAS CYLINDER	1	

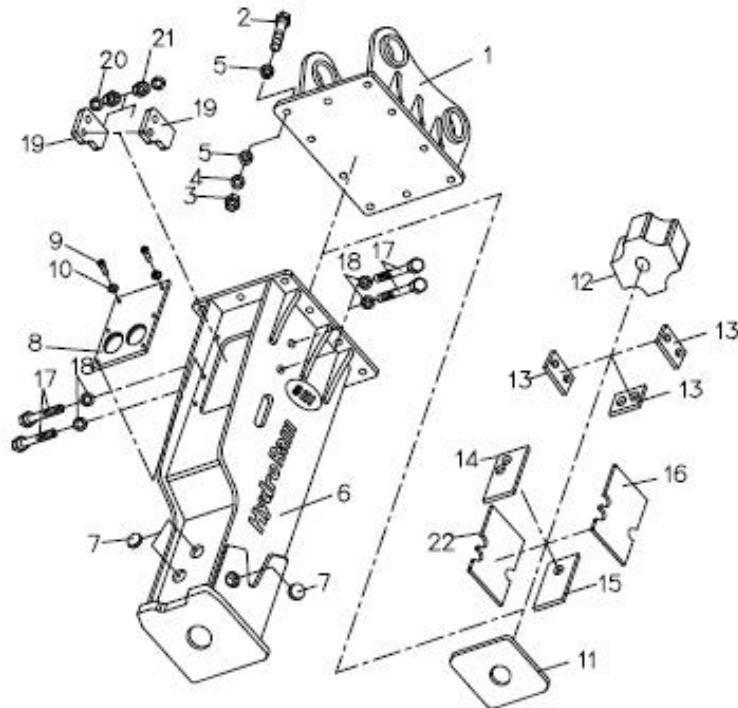
■ HK45 BRACKET PARTS LIST

HK45

TOP BRACKET



SILENCE BRACKET



■ HK45 BRACKET PARTS LIST

■HK45 TOP BRACKET				■HK45S SILENCE BRACKET			
No.	Part No.	Part Name	Q'ty	No.	Part No.	Part Name	Q'ty
0	D5200000	TOP BRACKET ASSEMBLY	1	0	D5300000	SILENCE BRACKET ASSEMBLY	1
1	D4200040	TOP BRACKET	1	1	D4300090	TOP BRACKET	1
2	20007150	HEX HEAD BOLT	12	2	20007150	HEX HEAD BOLT	10
3	12001450	HEX HEAD NUT	12	3	12001450	HEX HEAD NUT	10
4	13001090	SPRING WASHER	12	4	13001090	SPRING WASHER	10
5	13000090	FLAT WASHER	24	5	13000090	FLAT WASHER	20
6	D5200170	SIDE PLATE BRACKET	1	6	D5300050	SILENCE BRACKET	1
7	20035550	HEX HEAD BOLT	4	7	D9300070	RUBBER CAP-S	5
8	-	-	-	8	D5300130	COVER PLATE	1
9	12006430	NYLON NUT	4	9	20211030	HEX SOCKET HEAD BOLT	6
10	13000220	FLAT WASHER	4	10	13000060	FLAT WASHER	6
*	D5693010	SET BOLT SET	1	11	D5300070	DOWN CUSHION	1
*	D5695100	DECAL KIT(TOP)	1	12	D5300060	UPPER CUSHION	1
MEMO				13	D5300080	SIDE WEAR PLATE	3
				14	D5300090	LOW FRONT WEAR PLATE(1)	1
				15	D5300100	LOW FRONT WEAR PLATE(2)	1
				16	D5300110	LOW SIDE WEAR PLATE	2
				17	20006790	HEX HEAD BOLT	4
				18	13000080	FLAT WASHER	4
				19	D5300210	STOPPER	2
				20	13001080	SPRING WASHER	4
				21	12001440	HEX HEAD NUT	4
				22	*	= No.16	*
				*	D5695200	DECAL KIT(SILENCE)	*
				MEMO			

MEMO



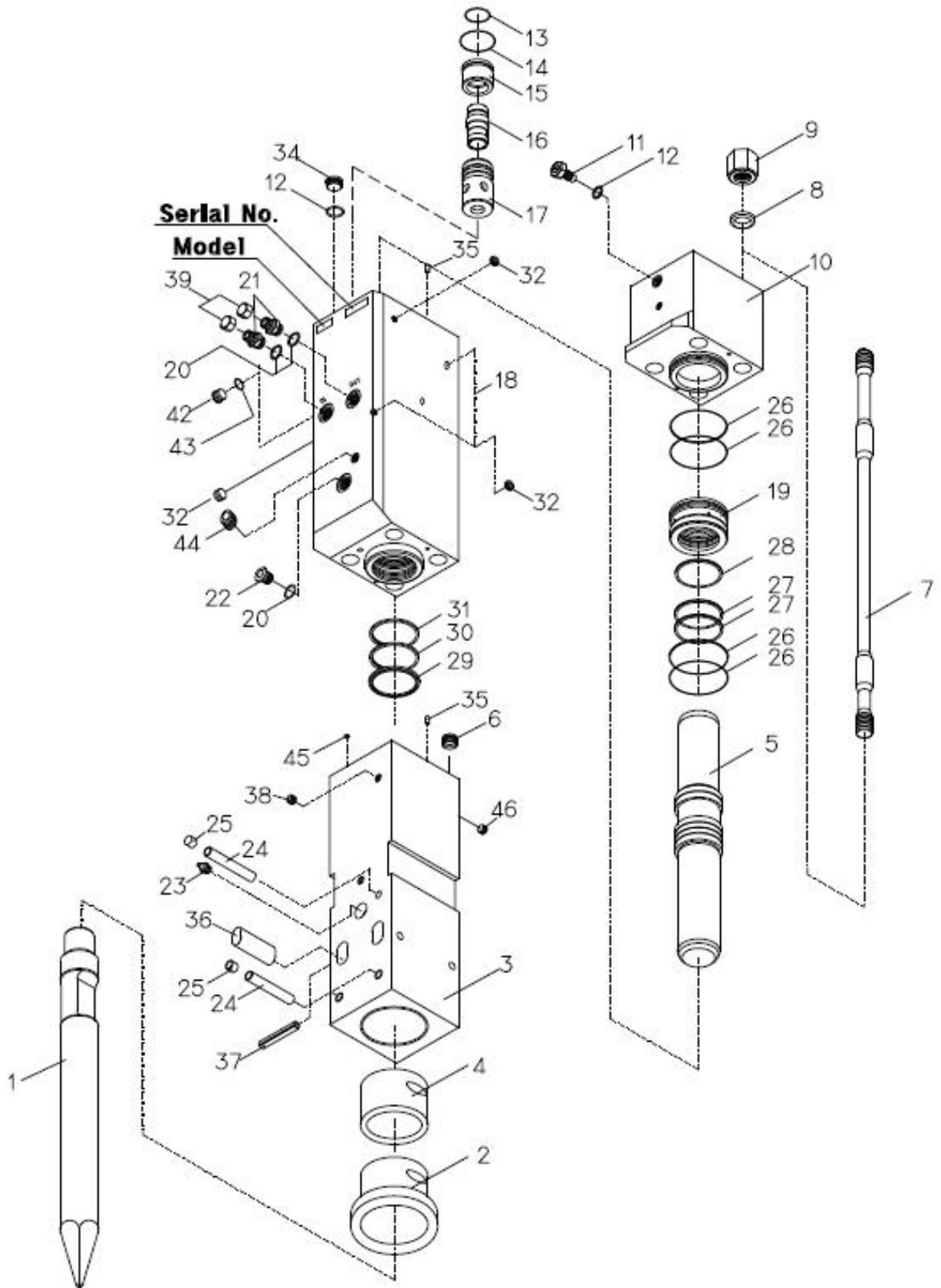
BHI HydroRam Hydraulic Hammer

HK60 Parts List



■ HK60 POWER CELL PARTS LIST

HK60 POWER CELL



■ HK60 POWER CELL PARTS LIST

No.	Part No.	Part Name	Q'ty	No.	Part No.	Part Name	Q'ty
0	D6000000	POWER CELL ASSEMBLY	1	26	22401490	O-RING	4
1	D6000050	TOOL(MOIL)	1	27	22300030	STEP SEAL	2
1-1	D6000070	TOOL(H-WEDGE)	0	28	22200040	GAS SEAL	1
1-2	D6000060	TOOL(CONE)	0	29	22002560	DUST SEAL	1
1-3	D6000090	TOOL(BLUNT)	0	30	22003790	U PACKING SEAL	1
1-4	D6000080	TOOL(V-WEDGE)	0	31	22000110	BUFFER SEAL	1
1-5	D6000100	TOOL(SPADE H-WEDGE)	0	32	13006010	PT SOCKET PLUG	5
1-6	D6000110	TOOL(SPADE V-WEDGE)	0	34	DA000400	PF SOCKET PLUG	3
2	D6000130	TOOL HOLDER BUSHING	1	35	D9000050	PIN	4
3	D6000140	TOOL HOLDER	1	36	D6000250	RETAINER PIN	1
4	D6000150	ROUND BUSHING	1	37	D4000260	SPRING PIN	1
5	D6000160	PISTON	1	38	13006030	PT SOCKET PLUG	1
6	13103250	HELI COIL SPRING	4	39	13007130	UNION CAP(PF)	0
7	D6000170	TENSION BOLT	4	39-1	13007030	UNION CAP(JIC)	2
8	D6000180	TOP NUT WASHER	4	39-2	13007440	UNION CAP(ORFS)	0
9	D6000190	TOP NUT	4	*40	168001270	SPRING HOSE(PF*PF)	0
10	D6000200	HEAD CAP	1	40-1	16804270	SPRING HOSE(JIC*JIC)	2
11	D7000200	GAS VALVE ASSEMBLY	1	40-2	16811270	SPRING HOSE(ORFS*ORFS)	0
12	22402070	O-RING	4	40-3	16804130	HOSE(FOR SKID, JIC*JIC)	0
13	22401330	O-RING	1	*41	13006550	HOSE PLUG(PF)	0
14	22402300	O-RING	1	41-1	13008400	HOSE PLUG(JIC)	2
15	D5000220	MAIN VALVE CAP	1	41-2	13008220	HOSE PLUG(ORFS)	0
16	D5000240	MAIN VALVE	1	42	D7000360	M24 SOCKET PLUG	1
17	D5000230	MAIN VALVE CASE	1	43	22402090	O-RING	1
18	D6000210	CYLINDER	1	44	13006020	PT SOCKET HEAD PLUG	1
19	D6000220	CYLINDER BUSHING	1	45	22402020	O-RING	1
20	22402110	O-RING	3	46	D4000230	ORIFICE PLUG	1
21	13008850	O-RING ADAPTER(PF*PF)	0	*	*	*	*
21-1	13009340	O-RING ADAPTER(PF*JIC)	2	*	D6691000	HEAD CAP SET	*
21-2	13009530	O-RING ADAPTER(PF*ORFS)	0	*	D6691100	CYLINDER SET	*
22	DA000240	PF SOCKET PLUG	1	*	D6691200	TOOL HOLDER SET	*
23	13007810	GREASE NIPPLE	1	*	D5691300	MAIN VALVE SET	*
24	D5000260	STOP PIN(A)	3	*	D6691400	TENSION BOLT SET	*
25	13007320	RUBBER PLUG	3				

■ HK60 SPARE SEAL KIT PARTS LIST

No.	Part No.	Part Name	Q'ty	MEMO
0	D6691500	SPARE SEAL KIT	1KIT	
1	22402070	O-RING	4	
2	22401330	O-RING	1	
3	22402300	O-RING	1	
4	22402110	O-RING	3	
5	22401490	O-RING	4	
6	22300030	STEP SEAL	2	
7	22200040	GAS SEAL	1	
8	22002560	DUST SEAL	1	
9	22003790	U PACKING SEAL	1	
10	22000110	BUFFER SEAL	1	
11	22402090	O-RING	1	
12	22402020	O-RING	1	
MEMO				

■ HK60 TOOL KIT PARTS LIST

No.	Part No.	Part Name	Q'ty			Remarks
			Side	Top	Silence	
0	-	TOOL KIT	D6691600	D6691700	D6691800	HK60
1	16503000	TOOL BOX	1	1	1	No.2
2	16501140	COMBI SPANNER	1	1	1	14mm
3	16502100	DOUBLE SPANNER	1	1	1	27x30mm
4	16502520	SINGLE SPANNER	1	1	1	36mm
5	16501140	L WRENCH	1	1	1	5mm
6	16500700	HAMMER RING WRENCH	1	1	1	41mm
7	16503090	HANDLE RETAINER PIN	1	1	1	M12

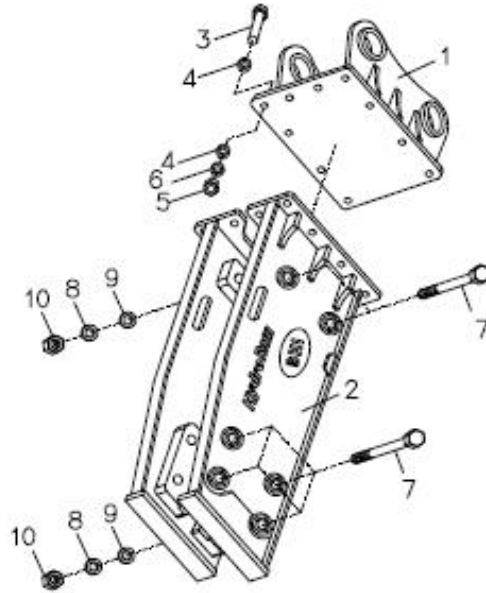
■ HK60 N2 GAS CHARGING KIT PARTS LIST

No.	Part No.	Part Name	Q'ty	MEMO
0	D5698000	N ₂ GAS CHARGING KIT	1	
1	13105900	N ₂ GAS 3-WAY VALVE ASSEMBLY	1	
2	16802000	N ₂ HOSE	1	
3	13105910	N ₂ COUPLING KIT	1	
4	13105930	N ₂ GAS CYLINDER	1	

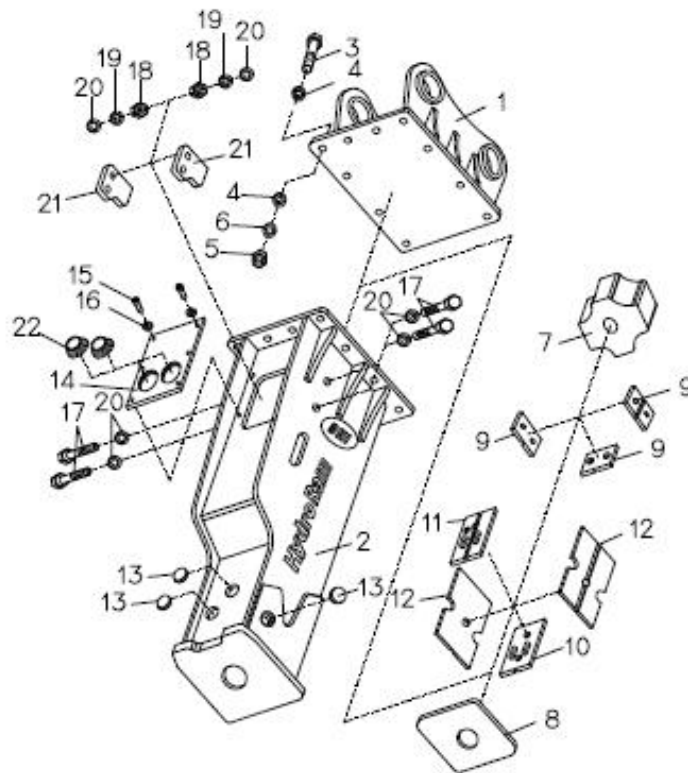
■ HK60 BRACKET PARTS LIST

HK60

TOP BRACKET



SILENCE BRACKET



■ HK60 BRACKET PARTS LIST

■HK60 TOP BRACKET				■HK60S SILENCE BRACKET			
No.	Part No.	Part Name	Q'ty	No.	Part No.	Part Name	Q'ty
0	D6200000	TOP BRACKET ASSEMBLY	1	0	D6300000	SILENCE BRACKET ASSEMBLY	1
1	D6200100	TOP BRACKET	1	1	D6300130	TOP BRACKET	1
2	D6200010	SIDE PLATE BRACKET	1	2	D6300010	SILENCE BRACKET	1
3	20007520	HEX HEAD BOLT	12	3	20007520	HEX HEAD BOLT	12
4	13000100	FLAT WASHER	24	4	13000100	FLAT WASHER	24
5	12001460	HEX HEAD NUT	12	5	12001460	HEX HEAD NUT	12
6	13001100	SPRING WASHER	12	6	13001100	SPRING WASHER	12
7	20036350	HEX HEAD BOLT	6	7	D5300060	UPPER CUSHION	1
8	13001140	SPRING WASHER	6	8	D6300040	DOWN CUSHION	1
9	13000220	FLAT WASHER	6	9	D5300080	SIDE WEAR PLATE	3
10	12006000	CAP NUT	6	10	D6300050	LOW FRONT WEAR PLATE(2)	1
*	D6695100	DECAL KIT(TOP)	*	11	D6300060	LOW FRONT WEAR PLATE(1)	1
MEMO				12	D6300070	LOW SIDE WEAR PLATE	2
				13	D9300070	RUBBER CAP-S	5
				14	D6300100	MC COVER PLATE	1
				15	20211400	HEX SOCKET BOLT	6
				16	13000080	FLAT WASHER	6
				17	20006790	HEX HEAD BOLT	4
				18	12001440	HEX HEAD NUT	4
				19	13001080	SPRING WASHER	4
				20	13000080	FLAT WASHER	4
				21	D6300110	STOPPER	2
				22	13008010	HOSE PROTECT	2
				*	D6695200	DECAL KIT(SILENCE)	*
				MEMO			

MEMO



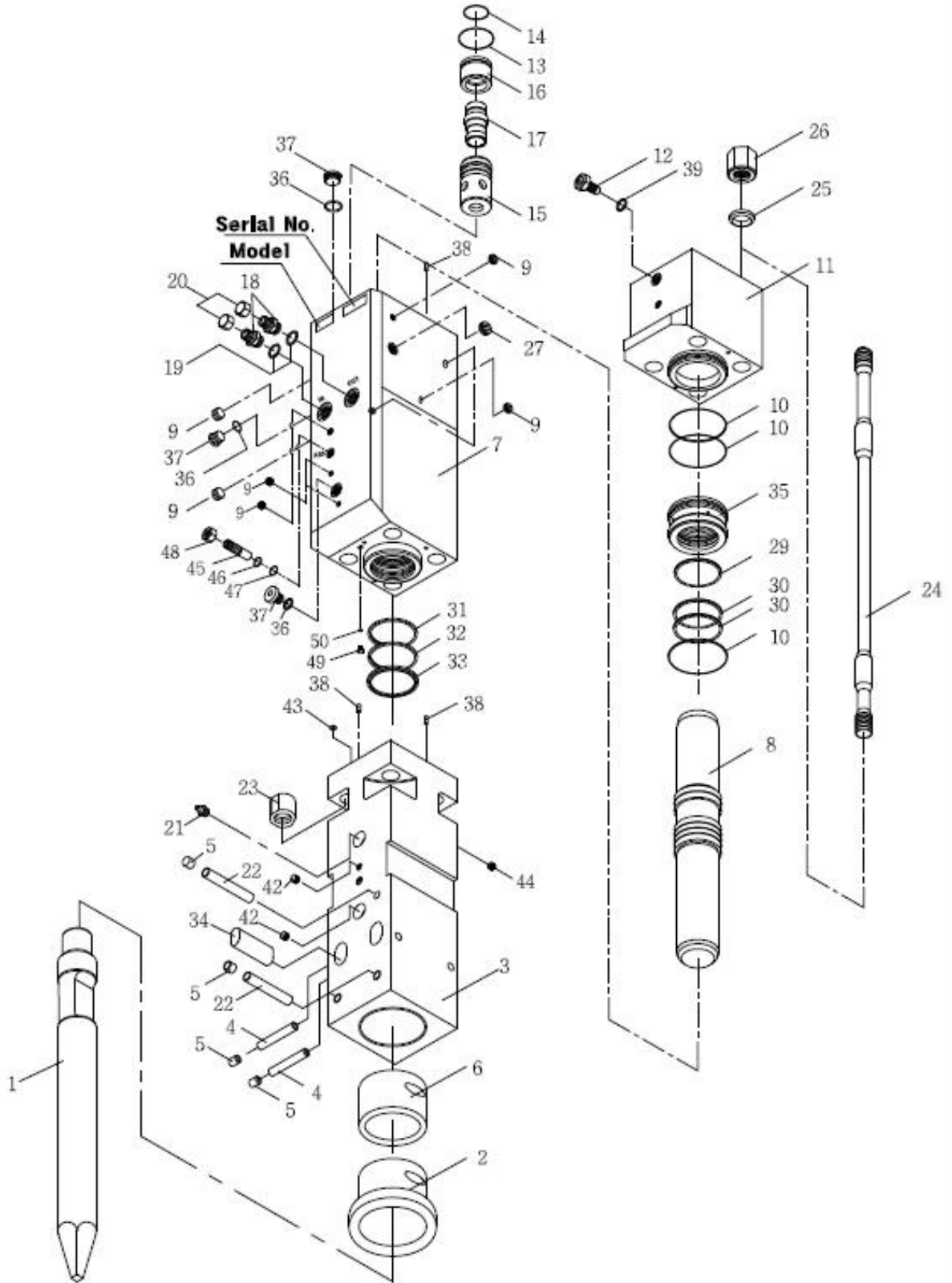
BHI HydroRam Hydraulic Hammer

HK80 Parts List



■ HK80 POWER CELL PARTS LIST

HK80 POWER CELL



■ HK80 POWER CELL PARTS LIST

No	Part No	Part Name	Q'ty	No	Part No	Part Name	Q'ty
0	D7000000	POWER CELL ASSEMBLY	1	23	D7000250	BOTTOM NUT	4
1	D7000050	TOOL(MOIL)	1	24	D7000260	TENSION BOLT	4
1-1	D7000060	TOOL(H-WEDGE)	1	25	D7000270	TENSION BOLT WASHER	4
1-2	D7000080	TOOL(CONE)	1	26	D7000280	TOP NUT	4
1-3	D7000090	TOOL(BLUNT)	1	27	13006060	PT SOCKET PLUG	1
1-4	D7000070	TOOL(V-WEDGE)	1	29	22200050	GAS SEAL	1
1-5	D7000100	TOOL(SPADE H-WEDGE)	1	30	22300040	STEP SEAL	2
1-6	D7000110	TOOL(SPADE V-WEDGE)	1	31	22000140	BUFFER SEAL	1
2	D7000130	TOOL HOLDER BUSHING	1	32	22003830	U PACKING SEAL	1
3	D7000140	TOOL HOLDER	1	33	22002600	DUST SEAL	1
4	D7000150	STOP PIN(B)	2	34	D7000310	RETAINER PIN	2
5	13007320	RUBBER PLUG	5	35	D7000290	CYLINDER BUSHING	1
6	D7000160	ROUND BUSHING	1	36	22402090	O-RING	6
7	D7000170	CYLINDER	1	37	D7000360	M24 SOCKET PLUG	6
8	D7000180	PISTON	1	38	D9000050	PIN	4
9	13006010	PT SOCKET PLUG	8	39	22402070	O-RING	1
10	22401540	O-RING	3	*40	16801270	SPRING HOSE(PF*PF)	0
11	D7000190	HEAD CAP	1	40-1	16804270	SPRING HOSE(JIC*JIC)	2
12	D7000200	GAS VALVE ASSEMBLY	1	40-2	16811270	SPRING HOSE(ORFS*ORFS)	0
13	22402390	O-RING	1	*41	13006550	HOSE PLUG(PF)	0
14	22401370	O-RING	1	41-1	13008410	HOSE PLUG(JIC)	2
15	D7000210	MAIN VALVE CASE	1	41-2	13008240	HOSE PLUG(ORFS)	0
16	D7000220	MAIN VALVE CAP	1	42	13006030	PT SOCKET PLUG	3
17	D7000230	MAIN VALVE	1	43	22402040	O-RING	1
18	13008850	O-RING ADAPTER(PF*PF)	0	44	D4000230	ORIFICE PLUG	1
18-1	13009340	O-RING ADAPTER(PF*JIC)	2	45	DF000590	ADJUSTER VAVLE	1
18-2	13009530	O-RING ADAPTER(PF*ORFS)	0	46	22402060	O-RING	1
19	22402110	O-RING	2	47	22405650	BACK UP RING	1
20	13007130	UNION CAP(PF)	0	48	12002410	HEX HEAD NUT	1
20-1	13007030	UNION CAP(JIC)	2	49	DE000340	PF SOCKET PLUG	1
20-2	13007440	UNION CAP(ORFS)	0	50	22402000	O-RING	1
21	13007810	GREASE NIPPLE	1				
22	D7000240	STOP PIN(A)	3				

■ HK80 POWER CELL PARTS LIST

No	Part No	Part Name	Q'ty	MEMO
*	D7691000	HEAD CAP SET	-	
*	D7691100	CYLINDER SET	-	
*	D7691200	TOOL HOLDER SET	-	
*	D7691300	MAIN VALVE SET	-	
*	D7691400	TENSION BOLT SET	-	
MEMO				

■ HK80 SPARE SEAL KIT PARTS LIST

No.	Part No.	Part Name	Q'ty	No.	Part No.	Part Name	Q'ty
0	D7691510	SPARE SEAL KIT	1	13	22402060	O-RING	1
1	22401540	O-RING	3	14	22405650	BACK UP RING	1
2	22402390	O-RING	1	15	22402000	O-RING	1
3	22401370	O-RING	1	MEMO			
4	22402110	O-RING	2				
5	22200050	GAS SEAL	1				
6	22300040	STEP SEAL	2				
7	22000140	BUFFER SEAL	1				
8	22003830	U PACKING SEAL	1				
9	22002600	DUST SEAL	1				
10	22402090	O-RING	6				
11	22402070	O-RING	1				
12	22402040	O-RING	1				

■ HK80 TOOL KIT PARTS LIST

No.	Part No.	Part Name	Q'ty			Remarks
			Side	Top	Silence	
0	-	TOOL KIT	D7691600	D7691700	D7691800	HK80
1	16503000	TOOL BOX	1	1	1	No.2
2	16502100	DOUBLE SPANNER	1	1	1	27x30mm
3	16502520	SINGLE SPANNER	1	1	1	36mm
4	16500260	COMBI SPANNER	1	1	1	14mm
5	16500690	HAMMER RING WRENCH	-	1	1	36mm
6	16500730	HAMMER RING WRENCH	1	1	1	55mm
7	16501140	L-WRENCH	1	1	1	5mm
8	16501170	L-WRENCH	1	1	1	10mm
9	16503090	HANDLE RETAINER PIN	1	1	1	M12

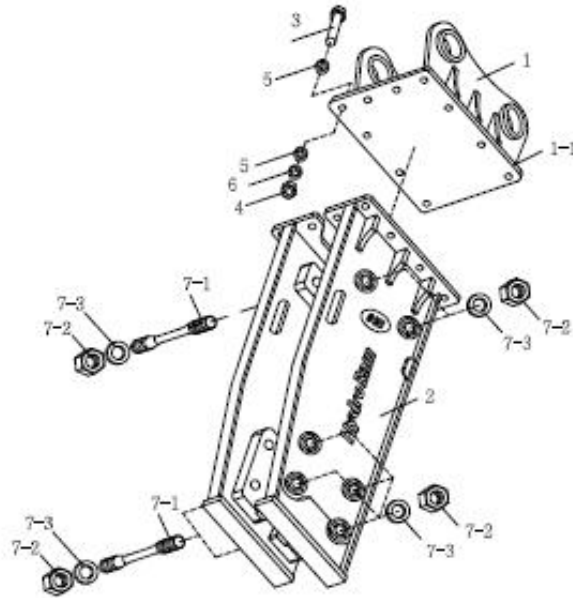
■ HK80 N2 GAS CHARGING KIT PARTS LIST

No.	Part No.	Part Name	Q'ty	MEMO
0	D5698000	N ₂ GAS CHARGING KIT	1	
1	13105900	N ₂ GAS 3-WAY VALVE ASSEMBLY	1	
2	16802000	N ₂ HOSE	1	
3	13105910	N ₂ COUPLING KIT	1	
4	13105930	N ₂ GAS CYLINDER	1	

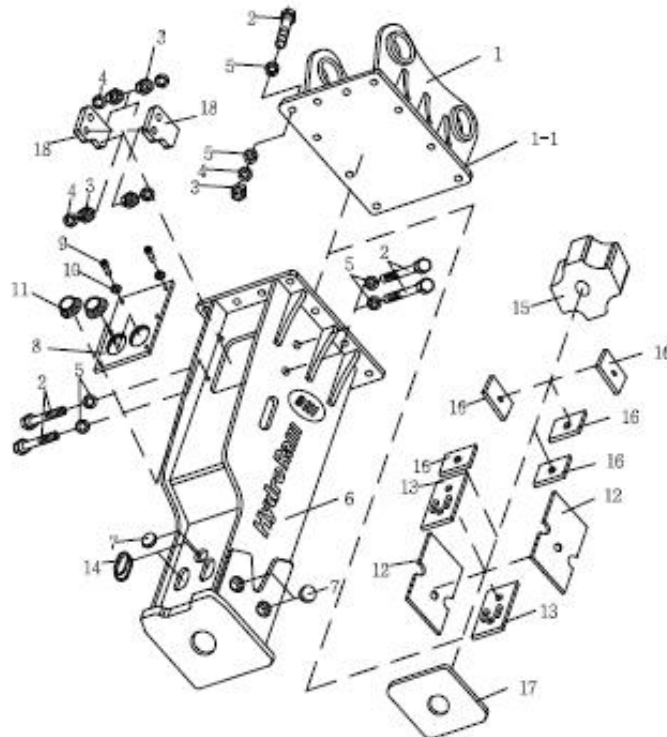
■ HK80 BRACKET PARTS LIST

HK80

TOP BRACKET



SILENCE BRACKET



■ HK80 BRACKET PARTS LIST

■ HK80 TOP BRACKET				■ HK80S SILENCE BRACKET			
No.	Part No.	Part Name	Q'ty	No.	Part No.	Part Name	Q'ty
0	D7200000	TOP BRACKET ASSEMBLY	1	0	D7300000	SILENCE BRACKET ASSEMBLY	1
1	D7200080	TOP BRACKET	1	1	D7300050	TOP BRACKET	1
2	D7200090	SIDE PLATE BRACKET	1	2	20008640	HEX HEAD BOLT	16
3	20008640	HEX HEAD BOLT	12	3	12000890	HEX HEAD NUT	16
4	12000890	HEX HEAD NUT	12	4	13001130	SPRING WASHER	16
5	13000130	FLAT WASHER	24	5	13000130	FLAT WASHER	32
6	13001130	SPRING WASHER	12	6	D7300260	SILENCE BRACKET	1
7	D7693010	SET BOLT SET	6	7	D9300070	RUBBER CAP-S	5
7-1	D8200080	SET BOLT	1	8	D7300100	COVER PLATE	1
7-2	D8200090	SET BOLT NUT	2	9	20211390	HEX SOCKET HEAD BOLT	6
7-3	D7200140	SET BOLT WASHER	2	10	13000070	FLAT WASHER	6
*	D7695100	DECAL KIT(TOP)	*	11	13008010	HOSE PROTECT	2
MEMO				12	D7300280	LOW SIDE WEAR PLATE	2
				13	D7300290	LOW FRONT WEAR PLATE	2
				14	D7300160	RUBBER CAP-F	4
				15	D7300080	UPPER CUSHION	1
				16	D7300320	SIDE WEAR PLATE	5
				17	D7300090	DOWN CUSHION	1
				18	D7300310	STOPPER	2
				*	D7695200	DECAL KIT(SILENCE)	*
				MEMO			



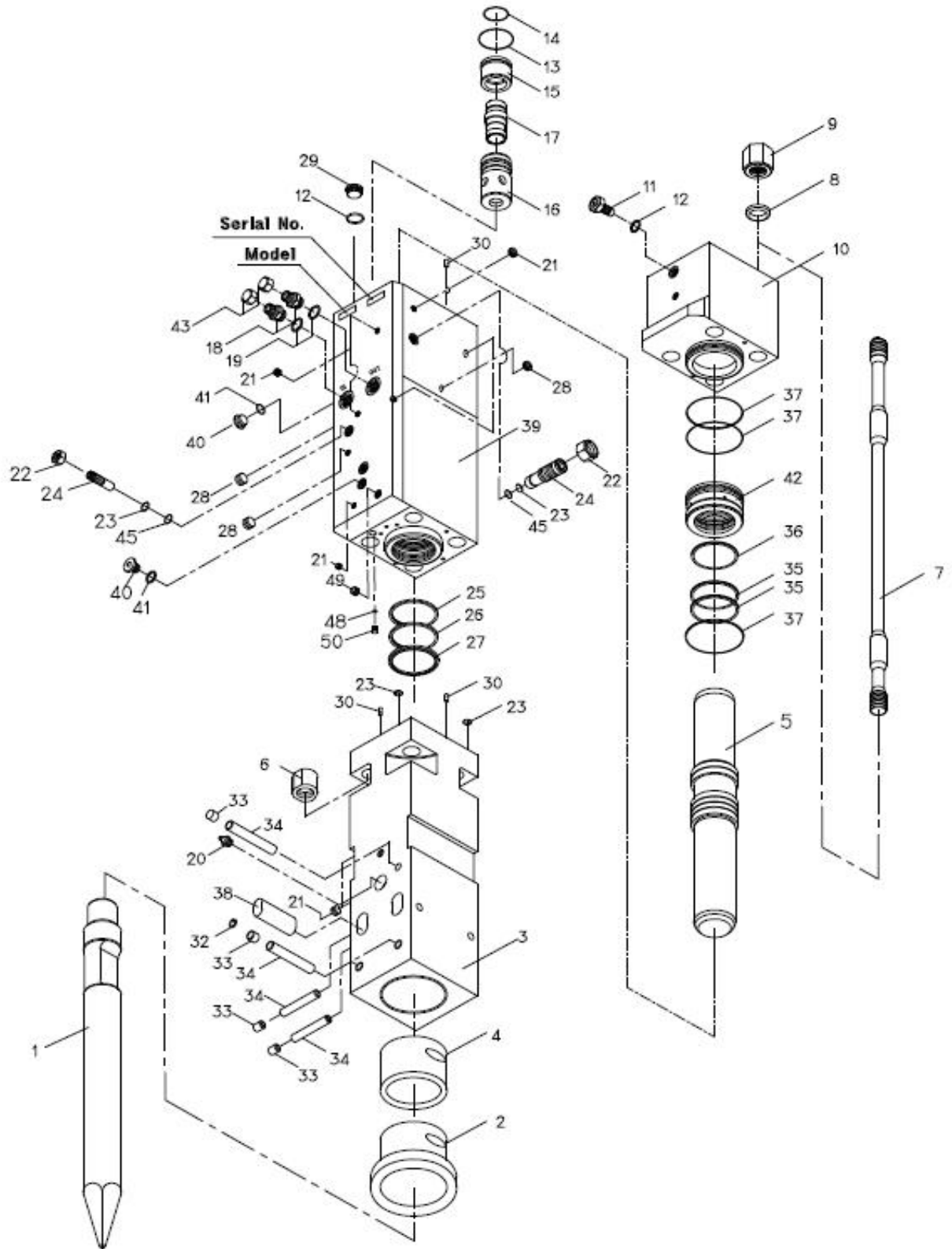
BHI
HydroRam
Hydraulic Hammer

HK130
Parts List



■ HK130 POWER CELL PARTS LIST

HK130 POWER CELL



■ HK130 POWER CELL PARTS LIST

No	Part No	Part Name	Q'ty	No	Part No	Part Name	Q'ty
0	D8000000	POWER CELL ASSEMBLY	1	26	22003900	U PACKING SEAL	1
1	D8000050	TOOL(MOIL)	1	27	22002650	DUST SEAL	1
1-1	D8000090	TOOL(H-WEDGE)	-	28	13006010	PT SOCKET PLUG	4
1-2	D8000060	TOOL(CONE)	-	29	DA000400	PF SOCKET PLUG	3
1-3	D8000070	TOOL(BLUNT)	-	30	D9000050	PIN	4
1-4	D8000080	TOOL(V-WEDGE)	-	*31	*	*	*
1-5	D8000100	TOOL(SPADE H-WEDGE)	-	32	13003140	SNAP RING	2
1-6	D8000110	TOOL(SPADE V-WEDGE)	-	33	13007320	RUBBER PLUG	5
2	D8000180	TOOL HOLDER BUSHING	1	34	D8000290	STOP PIN(A)	5
3	D8000190	TOOL HOLDER	1	35	22300050	STEP SEAL	2
4	D8000200	ROUND BUSHING	1	36	22200060	GAS SEAL	1
5	D8000210	PISTON	1	37	22402670	O-RING	4
6	D8000360	BOTTOM NUT	4	38	D8000300	RETAINER PIN	2
7	D8000340	TENSION BOLT	4	39	D8000310	CYLINDER	1
8	D8000430	TENSION BOLT WASHER	4	40	D7000360	M24 SOCKET PLUG	2
9	D8000350	TOP NUT	4	41	22402090	O-RING	2
10	D8000230	HEAD CAP	1	42	D8000330	CYLINDER BUSHING	1
11	D7000200	GAS VALVE ASSEMBLY	1	43	13007150	UNION CAP(PF)	0
12	22402070	O-RING	4	43-1	13007620	UNION CAP(JIC)	2
13	22401390	O-RING	1	43-2	13007450	UNION CAP(ORFS)	0
14	22401360	O-RING	1	*44	*	*	*
15	D8000240	MAIN VALVE CAP	1	45	22405650	BACK UP RING	2
16	D8000250	MAIN VALVE CASE	1	*46	13006570	HOSE PLUG(PF)	2
17	D8000260	MAIN VALVE	1	46-1	13008420	HOSE PLUG(JIC)	0
18	13008870	O-RING ADAPTER(PF*PF)	0	46-2	13008250	HOSE PLUG(ORFS)	0
18-1	13009360	O-RING ADAPTER(PF*JIC)	2	*47	16801460	SPRING HOSE(PF*PF)	0
18-2	13009550	O-RING ADAPTER(PF*ORFS)	0	47-1	16804530	SPRING HOSE(JIC*JIC)	2
19	22402160	O-RING	2	47-2	16810250	SPRING HOSE(PF*ORFS)	0
20	13007810	GREASE NIPPLE	1	48	22402000	O-RING	1
21	13006030	PT SOCKET PLUG	6	49	13006020	PT SOCKET PLUG	1
22	12002410	HEX HEAD NUT	2	50	DE000340	PF SOCKET PLUG	1
23	22402060	O-RING	4	*	D8691000	HEAD CAP SET	*
24	DF000590	ADJUSTER VALVE	2	*	D8691100	CYLINDER SET	*
25	22000180	BUFFER SEAL	1	*	D8691200	TOOL HOLDER SET	*
				*	D8691300	MAIN VALVE SET	*
				*	D8691400	TENSION BOLT SET	*

■ HK130 SPARE SEAL KIT PARTS LIST

No.	Part No.	Part Name	Q'ty	No.	Part No.	Part Name	Q'ty
0	D8691510	SPARE SEAL KIT	1	7	22003900	U PACKING SEAL	1
1	22402070	O-RING	4	8	22002650	DUST SEAL	1
2	22401390	O-RING	1	9	22300050	STEP SEAL	2
3	22401360	O-RING	1	10	22200060	GAS SEAL	1
4	22402160	O-RING	2	11	22402670	O-RING	4
5	22402060	O-RING	4	12	22402090	O-RING	2
6	22000180	BUFFER SEAL	1	13	22405650	BACK UP RING	2

■ HK130 TOOL KIT PARTS LIST

No.	Part No.	Part Name	Q'ty			Remarks
			Side	Top	Silence	
0	*	TOOL KIT	D8691600	D8691700	D8691800	HK130
1	16502990	TOOL BOX	1	1	1	No.1
2	16501140	L-WRENCH	1	1	1	5mm
3	16501170	L-WRENCH	1	1	1	10mm
4	16500260	COMBI SPANNER	1	1	1	14mm
5	16502510	SINGLE SPANNER	1	1	1	32mm
6	16502530	SINGLE SPANNER	1	1	1	41mm
7	16502100	DOUBLE SPANNER	1	1	1	27x30mm
8	16500730	HAMMER RING WRENCH	1	1	1	55mm
9	16500710	HAMMER RING WRENCH	-	1	1	46mm
10	16503090	HANDLE RETAINER PIN	1	1	1	M12

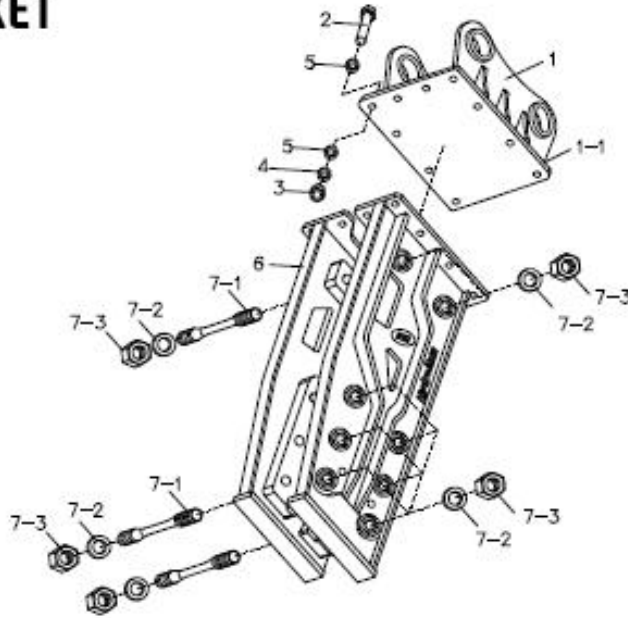
■ HK130 N2 GAS CHARGING KIT PARTS LIST

No.	Part No.	Part Name	Q'ty	MEMO
0	DA698000	N ₂ GAS CHARGING KIT	1	
1	13105900	N ₂ GAS 3-WAY VALVE ASSEMBLY	1	
2	16802000	N ₂ HOSE	1	
3	13105910	N ₂ COUPLING KIT	1	
4	13105920	N ₂ GAS CYLINDER	1	

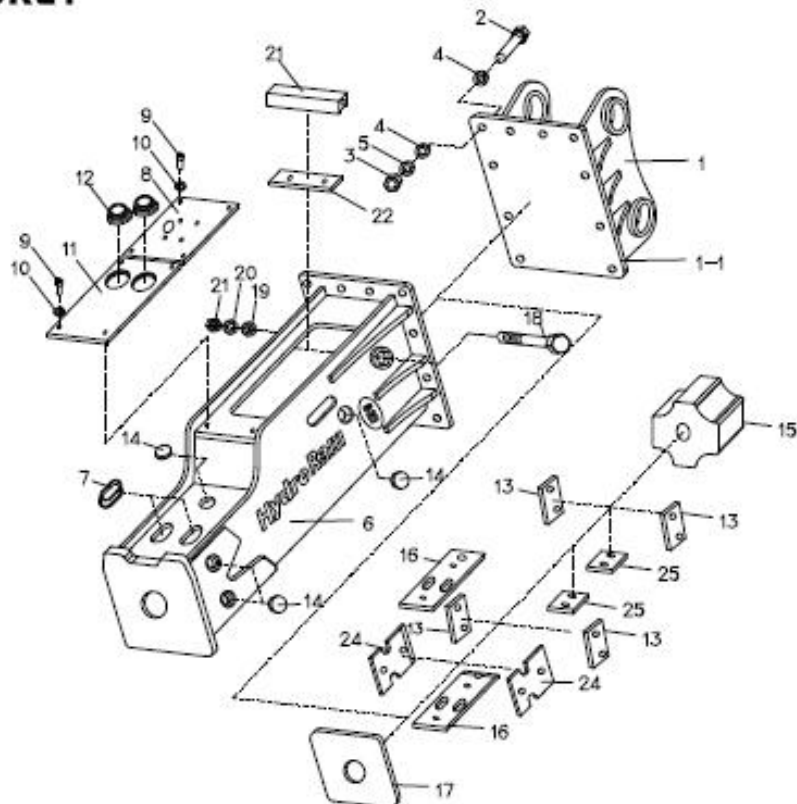
■ HK130 BRACKET PARTS LIST

HK130

TOP BRACKET



SILENCE BRACKET



■ HK130 BRACKET PARTS LIST

■ HK130 TOP BRACKET				■ HK130S SILENCE BRACKET			
No.	Part No.	Part Name	Q'ty	No.	Part No.	Part Name	Q'ty
0	D8200000	TOP BRACKET ASSEMBLY	1	0	D8300000	SILENCE BRACKET ASSEMBLY	1
1	DA200080	TOP BRACKET	1	1	D8300240	TOP BRACKET	1
2	20009410	HEX HEAD BOLT	12	2	20009410	HEX HEAD BOLT	12
3	12001500	HEX HEAD NUT	12	3	12001500	HEX HEAD NUT	12
4	13001150	SPRING WASHER	12	4	13001150	SPRING WASHER	12
5	13000140	FLAT WASHER	24	5	13000140	FLAT WASHER	24
6	D8200050	SIDE PLATE BRACKET	1	6	D8300010	SILENCE BRACKET	1
7	D8693000	SET BOLT SET	8	7	D8300130	RUBBER CAP-F	4
7-1	D8200080	SET BOLT	1	8	D8300200	UPPER COVER	1
7-2	D8200100	SET BOLT WASHER	2	9	20211760	HEX SOCKET HEAD BOLT	8
7-3	D8200090	SET BOLT NUT	2	10	13000080	FLAT WASHER	8
*	D8695100	DECAL KIT(TOP)	*	11	D8300210	DOWN COVER	1
MEMO				12	13008020	HOSE PROTECT	2
				13	DA300900	SIDE WEAR PLATE	4
				14	D9300070	RUBBER CAP-S	6
				15	D7300080	UPPER CUSHION	1
				16	D8300160	LOW FRONT WEAR PLATE	2
				17	D8300090	DOWN CUSHION	1
				18	20038300	HEX HEAD BOLT	1
				19	13000150	FLAT WASHER	1
				20	13001160	SPRING WASHER	1
				21	12001510	HEX HEAD NUT	1
				22	D8300180	MIDDLE BLOCK	1
				23	D8300190	MIDDLE BLOCK CUSHION	1
				24	D8300150	LOW SIDE WEAR PLATE	2
				25	D8300170	BOTTOM WEAR PLATE	2
				*	D8695200	DECAL KIT(SILENCE)	*

MEMO



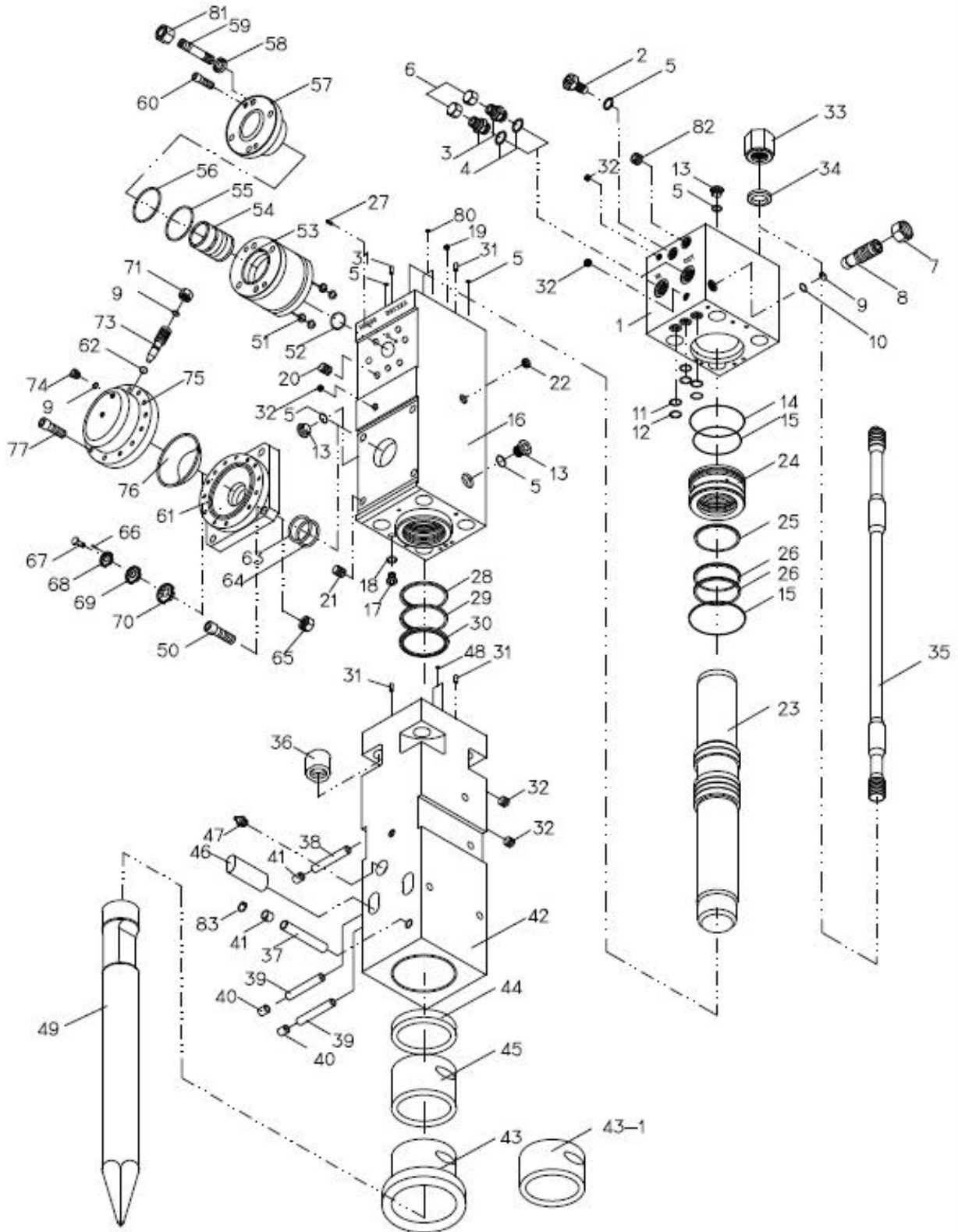
BHI
HydroRam
Hydraulic Hammer

HK200
Parts List



■ HK200 POWER CELL PARTS LIST

HK200 POWER CELL



■ HK200 POWER CELL PARTS LIST

No.	Part No.	Part Name	Q'ty	No.	Part No.	Part Name	Q'ty
0	D9000000	POWER CELL ASSEMBLY	1	29	22003940	U PACKING SEAL	1
1	D9000540	HEAD CAP	1	30	22002690	DUST SEAL	1
2	D7000200	GAS VALVE ASSEMBLY	1	31	D9000050	PIN	4
3	13008870	O-RING ADAPTER(PF*PF)	*	32	13006030	PT SOCKET PLUG	5
3-1	13009360	O-RING ADAPTER(PF*JIC)	2	33	D9000730	TOP NUT	4
3-2	13009550	O-RING ADAPTER(PF*ORFS)	*	34	D9000740	TOP NUT WASHER	4
4	22402160	O-RING	2	35	D9000750	TENSION BOLT	4
5	22402070	O-RING	6	36	D9000760	BOTTOM NUT	4
6	13007150	UNION CAP(PF)	*	37	D9000400	STOP PIN(A)	1
6-1	13007040	UNION CAP(JIC)	2	38	D9000440	STOP PIN(B)	1
6-2	13007450	UNION CAP(ORFS)	*	39	D9000360	STOP PIN(C)	2
7	12002410	HEX HEAD NUT	1	40	13007350	RUBBER PLUG	2
8	D9000660	ADJUSTER VALVE	1	41	13007320	RUBBER PLUG	2
9	22402040	O-RING	3	42	D9000550	TOOL HOLDER	1
10	22405630	BACK UP RING	1	43	D9000200	TOOL HOLDER BUSHING(T)	1
11	22409290	BACK UP RING	3	43-1	D9000590	TOOL HOLDER BUSHING(S)	1
12	22402230	O-RING	3	43-2	D9001010	TOOL HOLDER BUSHING(T) (Oversized (+0.08~+0.1mm))	-
13	DA000400	PF SOCKET PLUG	3	43-3	D9001150	TOOL HOLDER BUSHING(S) (Oversized (+0.08~+0.1mm))	-
14	22401670	O-RING	1	44	D9000310	BUFFER RING	1
15	22401600	O-RING	2	44-1	D9001300	BUFFER RING (Oversized (+0.08~+0.1mm))	-
16	D9000530	CYLINDER	1	45	D9000420	ROUND BUSHING	1
17	DA000240	PF SOCKET PLUG	1	45-1	D9001210	ROUND BUSHING (Oversized (+0.08~+0.1mm))	-
18	22402110	O-RING	1	46	D9000300	RETAINER PIN	2
19	D9000430	ORIFICE SOCKET PLUG	1	47	13007810	GREASE NIPPLE	1
20	13102700	HELI COIL SPRING	4	48	22402060	O-RING	2
21	13102810	HELI COIL SPRING	4	49	D9000070	TOOL(MOIL TYPE)	1
22	13006010	PT SOCKET PLUG	1	49-1	D9000100	TOOL(H-WEDGE)	0
23	D9000220	PISTON	1	49-2	D9000080	TOOL(CONE)	0
24	D9000230	CYLINDER BUSHING	1	49-3	D9000110	TOOL(BLUNT)	0
25	22200070	GAS SEAL	1	49-4	D9000090	TOOL(V-WEDGE)	0
26	22300060	STEP SEAL	2	50	20213600	HEX HEAD SOCKET BOLT	4
27	13116010	SPRING PIN	1	51	22501660	U SEAL	4
28	22000230	BUFFER SEAL	1	52	22402350	O-RING	1

■ HK200 POWER CELL PARTS LIST

No.	Part No.	Part Name	Q'ty	No.	Part No.	Part Name	Q'ty
53	D9000320	MAIN VALVE CASE	1	*	D9691000	HEAD CAP SET	*
54	D9000340	MAIN VALVE	1	*	D9691100	CYLINDER SET	*
55	22401420	O-RING	1	*	D9691200	TOOL HOLDER SET	*
56	22401440	O-RING	1	*	D9691300	MAIN VALVE SET	*
57	D9000330	MAIN VALVE CAP	1	*	D9691410	TENSION BOLT SET	*
58	D9000600	MAIN VALVE WASHER	4	*	DG000350	ACCUMULATOR ASSEMBLY	*
59	D9000780	MAIN VALVE BOLT	4	MEMO			
60	20211390	HEX SOCKET HEAD BOLT	2				
61	DG000220	ACCUMULATOR BODY	1				
62	22401930	O-RING	1				
63	22500260	BACK UP RING	1				
64	22401430	O-RING	1				
65	DA000440	LOCK NUT	1				
66	DG000490	HOLDER PIN	1				
67	DG000450	ORIFICE(A)	1				
68	DG000460	ORIFICE(B)	1				
69	DG000470	ORIFICE(C)	1				
70	DG000480	ORIFICE(D)	1				
71	DA000510	O-RING CAP	1				
73	DC000330	CHARGING VALVE	1				
74	DC000320	O-RING PLUG	1				
75	DG000210	ACCUMULATOR COVER	1				
76	DG000410	DIAPHRAGM	1				
77	20215010	HEX SOCKET HEAD BOLT	12				
*78	16801460	SPRING HOSE(PF*PF)	*				
78-1	16804530	SPRING HOSE(JIC*JIC)	2				
78-2	16811400	SPRING HOSE(ORFS*ORFS)	*				
*79	13006570	HOSE PLUG	2				
80	22402020	O-RING	2				
81	D9000790	MAIN VALVE NUT	4				
82	13006090	PT SOCKET PLUG	1				

■ HK200 SPARE SEAL KIT PARTS LIST

No.	Part No.	Part Name	Q'ty	MEMO
0	D9691500	SPARE SEAL KIT	1	
1	22402160	O-RING	2	
2	22402070	O-RING	6	
3	22402040	O-RING	3	
4	22405630	BACK UP RING	1	
5	22409290	BACK UP RING	3	
6	22402230	O-RING	3	
7	22401670	O-RING	1	
8	22401600	O-RING	2	
9	22402110	O-RING	1	
10	22200070	GAS SEAL	1	
11	22300060	STEP SEAL	2	
12	22000230	BUFFER SEAL	1	
13	22003940	U PACKING SEAL	1	
14	22002690	DUST SEAL	1	
15	22402060	O-RING	2	
16	22501660	U SEAL	4	
17	22402350	O-RING	1	
18	22401420	O-RING	1	
19	22401440	O-RING	1	
20	22401930	O-RING	1	
21	22500260	BACK UP RING	1	
22	22401430	O-RING	1	
23	22402020	O-RING	2	
MEMO				

■ HK200 TOOL KIT PARTS LIST

No.	Part No.	Part Name	Part Code			Remarks
			Side	Top	Silence	
0	-	TOOL KIT	D9691600	D9691700	D9691800	HK200
1	16502990	TOOL BOX	1	1	1	No.1
2	16500260	COMBI SPANNER	1	1	1	14mm
3	16502510	SINGLE SPANNER	1	1	1	32mm
4	16502100	DOUBLE SPANNER	1	1	1	27x30mm
5	16502530	SINGLE SPANNER	1	1	1	41mm
6	16501140	L WRENCH	1	1	1	5mm
7	16501170	L WRENCH	1	1	1	10mm
8	16501190	L WRENCH	1	1	1	14mm
9	16501200	L WRENCH	1	1	1	17mm
10	16501210	L WRENCH	1	1	1	19mm
11	16500710	HAMMER RING WRENCH	-	1	1	46mm
12	16500760	HAMMER RING WRENCH	1	1	1	70mm
13	16500770	HAMMER RING WRENCH	1	1	-	75mm
14	16503090	HANDLE RETAINER PIN	1	1	1	M12

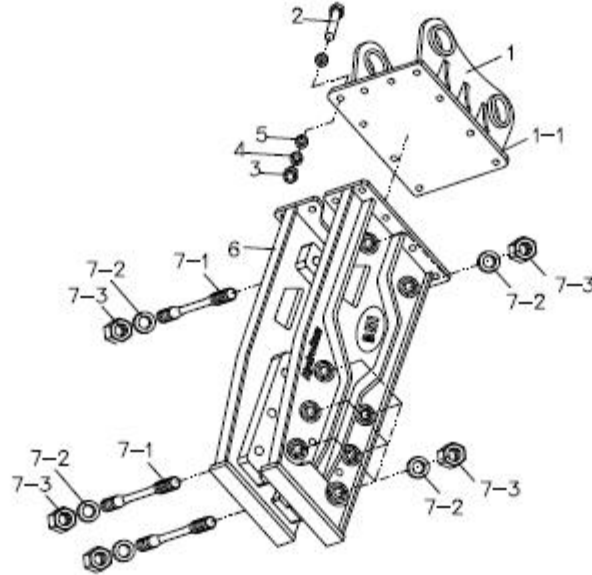
■ HK200 N2 GAS CHARGING KIT PARTS LIST

No.	Part No.	Part Name	Q'ty	MEMO
0	DA698000	N ₂ GAS CHARGING KIT	1	
1	13105900	N ₂ GAS 3-WAY VALVE ASSEMBLY	1	
2	16802000	N ₂ HOSE	1	
3	13105910	N ₂ COUPLING KIT	1	
4	13105920	N ₂ GAS CYLINDER	1	

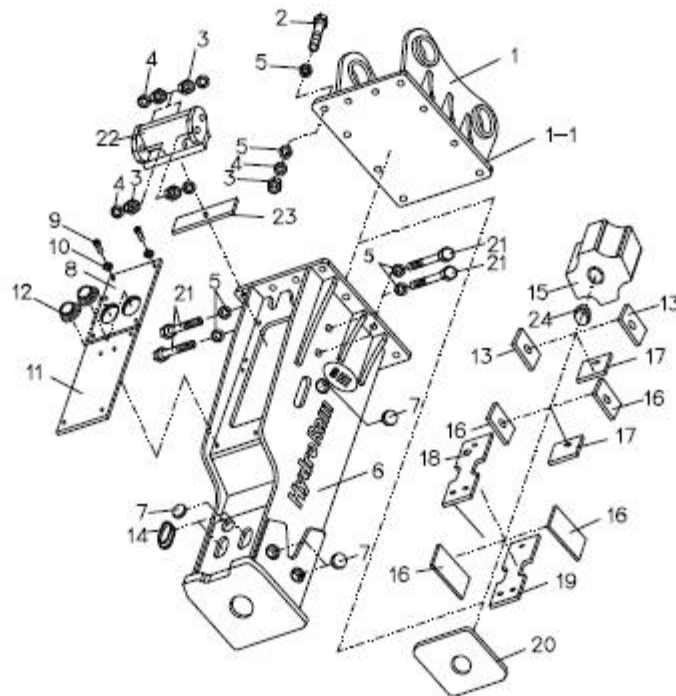
■ HK200 BRACKET PARTS LIST

HK200

TOP BRACKET



SILENCE BRACKET



■ HK200 BRACKET PARTS LIST

■HK200 TOP BRACKET				■HK200S SILENCE BRACKET			
No.	Part No.	Part Name	Q'ty	No.	Part No.	Part Name	Q'ty
0	D9200000	TOP BRACKET ASSEMBLY	1	0	D9330000	SILENCE BRACKET ASSEMBLY	1
1	DA200080	TOP BRACKET	1	1	DA300970	TOP BRACKET	1
2	20009410	HEX HEAD BOLT	12	2	20009410	HEX HEAD BOLT	12
3	12001500	HEX HEAD NUT	12	3	12001500	HEX HEAD NUT	16
4	13001150	SPRING WASHER	12	4	13001150	SPRING WASHER	16
5	13000140	FLAT WASHER	24	5	13000140	FLAT WASHER	32
6	D9200010	SIDE PLATE BRACKET	1	6	D9330010	SILENCE BRACKET	1
7	D9693010	SET BOLT SET	8	7	D9300070	RUBBER CAP-S	6
7-1	D9100330	SET BOLT	1	8	D9330020	UPPER COVER	1
7-2	DG200040	SET BOLT WASHER	2	9	20211760	HEX SOCKET HEAD BOLT	8
7-3	DG200030	SET BOLT NUT	2	10	13000080	FLAT WASHER	8
*	D9695100	DECAL KIT(TOP)	*	11	D9330030	DOWN COVER	1
MEMO				12	13008020	HOSE PROTECT	2
				13	D9330050	SIDE WEAR PLATE(1)	2
				14	D8300130	RUBBER CAP-F	4
				15	D9300080	UPPER CUSHION	1
				16	D9330080	SIDE WEAR PLATE(2)	4
				17	D9330040	FRONT WEAR PLATE	2
				18	D9330060	LOW FRONT WEAR PLATE(1)	1
				19	D9330070	LOW FRONT WEAR PLATE(2)	1
				20	D9330100	DOWN CUSHION	1
				21	20009430	HEX HEAD BOLT	4
				22	D9330090	MIDDLE BLOCK	1
				23	DA300890	MIDDLE BLOCK CUSHION	1
				24	D9300100	MC STOPPER	1
*	D9695200	DECAL KIT(SILENCE)	*				

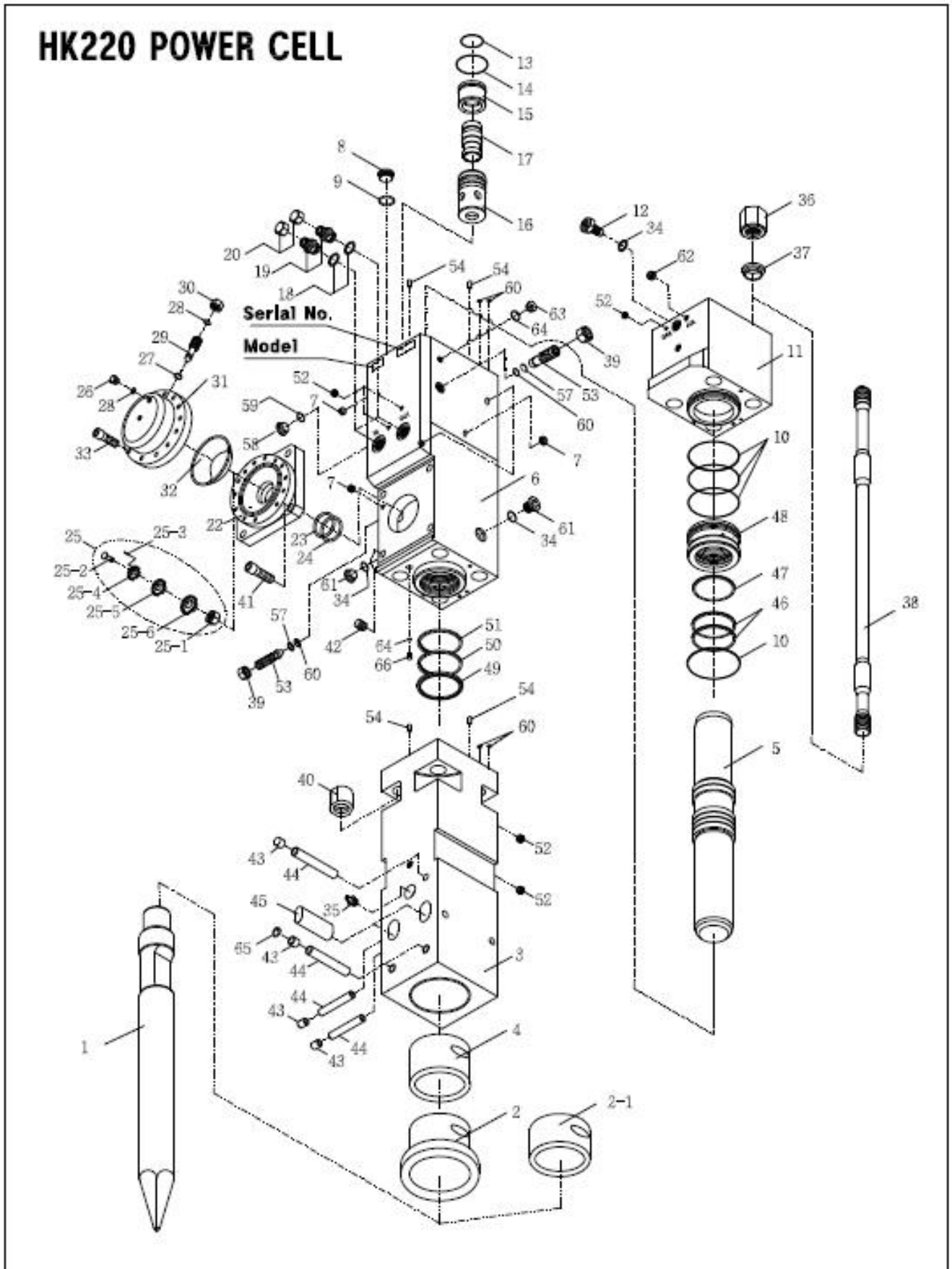


BHI
HydroRam
Hydraulic Hammer

HK220
Parts List



■ HK220 POWER CELL PARTS LIST



■ HK220 POWER CELL PARTS LIST

No.	Part No.	Part Name	Q'ty	No.	Part No.	Part Name	Q'ty
0	DA000920	POWER CELL ASSEMBLY	1	20-2	13007460	UNION CAP(ORFS)	*
1	DA000050	TOOL (MOIL)	1	*21	DG000350	ACCUMULATOR ASSEMBLY	1
1-1	DA000080	TOOL (H-WEDGE)	0	22	DG000220	ACCUMULATOR BODY	1
1-2	DA000060	TOOL (CONE TYPE)	0	23	22500260	BACK UP RING	1
1-3	DA000090	TOOL (BLUNT)	0	24	22401430	O-RING	1
1-4	DA000070	TOOL (V-WEDGE)	0	25	DG692300	ACC. ORIFICE SET	1
2	DA000170	TOOL HOLDER BUSHING(T)	1	25-1	DA000440	LOCK NUT	1
2-1	DA000940	TOOL HOLDER BUSHING(T) (Oversized (+0.08~+0.1mm))	-	25-2	DG000450	ORIFICE(A)	1
2-2	DA000550	TOOL HOLDER BUSHING(S)	1	25-3	DG000490	HOLDER PIN	1
2-3	DA001150	TOOL HOLDER BUSHING(S) (Oversized (+0.08~+0.1mm))	-	25-4	DG000460	ORIFICE(B)	1
3	DA000780	TOOL HOLDER	1	25-5	DG000470	ORIFICE(C)	1
4	DA000190	ROUND BUSHING	1	25-6	DG000480	ORIFICE(D)	1
4-1	DA001210	ROUND BUSHING (Oversized (+0.08~+0.1))	-	26	DA000510	O-RING CAP	1
5	DA000200	PISTON	4	27	22401930	O-RING	1
6	DA000910	CYLINDER	3	28	22402040	O-RING	2
7	13006010	PT SOCKET PLUG	3	29	DC000330	CHARGING VALVE	1
8	DA000240	PF SOCKET PLUG	4	30	DC000320	O-RING PLUG	1
9	22402110	O-RING	3	31	DG000210	ACCUMULATOR COVER	1
10	22401600	O-RING	4	32	DG000410	DIAPHRAGM	1
11	DA000800	HEAD CAP	1	33	20215010	HEX SOCKET HEAD BOLT	12
12	D7000200	GAS VALVE ASSEMBLY	1	34	22402070	O-RING	3
13	22401360	O-RING	1	35	13007810	GREASE NIPPLE	1
14	22401410	O-RING	1	36	DA000830	TOP NUT	4
15	DA000250	MAIN VALVE CAP	1	37	DA000840	TOP NUT WASHER	4
16	DA000260	MAIN VALVE CASE	2	38	DA000820	TENSION BOLT	4
17	DA000270	MAIN VALVE	2	39	12002410	HEX HEAD NUT	2
18	22402160	O-RING	2	40	DA000850	BOTTOM NUT	4
19	13008870	O-RING ADAPTER(PF*PF)	*	41	20213600	HEX SOCKET HEAD BOLT	4
19-1	13009360	O-RING ADAPTER(PF*JIC))	2	42	13102800	HELI COIL SPRING	4
19-2	13009550	O-RING ADAPTER(PF*ORFS)	*	43	13007320	RUBBER PLUG	5
20	13007150	UNION CAP(PF)	*	44	DA000360	STOP PIN	5
20-1	13007040	UNION CAP(JIC)	2	45	DA000370	RETAINER PIN	2

■ HK220 POWER CELL PARTS LIST

No.	Part No.	Part Name	Q'ty	MEMO
46	22300070	STEP SEAL	2	
47	22200080	GAS SEAL	1	
48	DA000380	CYLINDER BUSHING	1	
49	22002690	DUST SEAL	1	
50	22003940	U-PACKING SEAL	1	
51	22000230	BUFFER SEAL	1	
52	13006030	PT SOCKET PLUG	5	
53	DA000860	ADJUSTER VALVE	2	
54	D9000050	PIN	4	
*55	16801490	SPRING HOSE(PF*PF)	*	
55-1	16804560	SPRING HOSE(JIC*JIC)	2	
55-2	16811010	SPRING HOSE(ORFS*ORFS)	*	
*56	13006570	HOSE PLUG(PF)	*	
56-1	13008420	HOSE PLUG(JIC)	2	
56-2	13008250	HOSE PLUG(ORFS)	*	
57	22405650	BACK UP RING	2	
58	DD000230	M32 SOCKET PLUG	1	
59	22402150	O-RING	1	
60	22402060	O-RING	6	
61	DA000400	PF SOCKET PLUG	2	
62	13006020	PT SOCKET PLUG	1	
63	DH000380	PF SOCKET PLUG	1	
64	22402000	O-RING	2	
65	13003120	SNAP RING	2	
66	DE000340	PF1/4 SOCKET PLUG	1	
*	*	*	*	
*	DA691000	HEAD CAP SET	*	
*	DA691100	CYLINDER SET	*	
*	DA691200	TOOL HOLDER SET	*	
*	DA691300	MAIN VALVE SET	*	
*	DA691400	TENSION BOLT SET	*	
*	DG000350	ACCUMULATOR ASSEMBLY	*	

■ HK220 SPARE SEAL KIT PARTS LIST

No.	Part No.	Part Name	Q'ty	MEMO
0	DA691520	SPARE SEAL KIT	1	
1	22402110	O-RING	3	
2	22401600	O-RING	4	
3	22401360	O-RING	1	
4	22401410	O-RING	1	
5	22402160	O-RING	2	
6	22500260	BACK UP RING	1	
7	22401430	O-RING	1	
8	22401930	O-RING	1	
9	22402040	O-RING	2	
10	22402070	O-RING	3	
11	22300070	STEP SEAL	2	
12	22200080	GAS SEAL	1	
13	22002690	DUST SEAL	1	
14	22003940	U-PACKING SEAL	1	
15	22000230	BUFFER SEAL	1	
16	22405650	BACK UP RING	2	
17	22402150	O-RING	1	
18	22402060	O-RING	6	
19	22402000	O-RING	2	
MEMO				

■ HK220 TOOL KIT PARTS LIST

No.	Part No.	Part Name	Q'ty			Remarks
			Side	Top	Silence	
0	-	TOOL KIT	DA691600	DA691710	DA691810	HK220
1	16502990	TOOL BOX	1	1	1	No.1
2	16500260	COMBI SPANNER	1	1	1	14mm
3	16502510	SINGLE SPANNER	1	1	1	32mm
4	16502530	SINGLE SPANNER	1	1	1	41mm
5	16502100	DOUBLE SPANNER	1	1	1	27X30mm
6	16501140	L WRENCH	1	1	1	5mm
7	16501170	L WRENCH	1	1	1	10mm
8	16501190	L WRENCH	1	1	1	14mm
9	16501210	L WRENCH	1	1	1	19mm
10	16503090	HANDLE RETAINER PIN	1	1	1	M12
11	16500710	HAMMER RING WRENCH	-	1	1	46mm
12	16500760	HAMMER RING WRENCH	1	1	1	70mm
13	16500770	HAMMER RING WRENCH	1	1	-	75mm

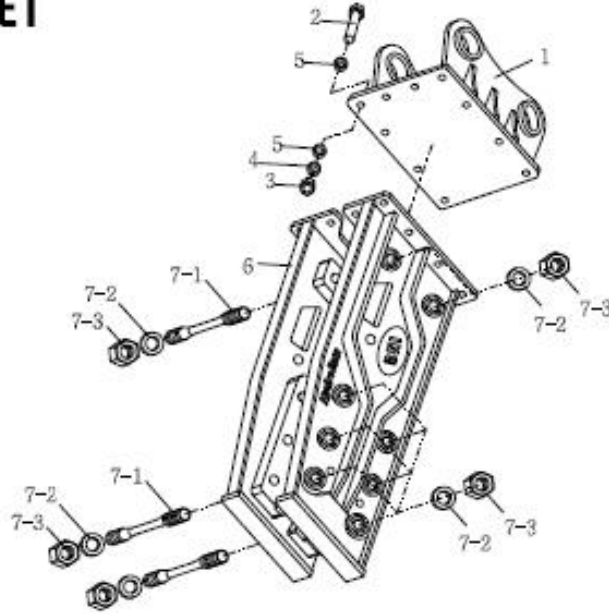
■ HK220 N2 GAS CHARGING KIT PARTS LIST

No.	Part No.	Part Name	Q'ty	MEMO
0	DA698000	N ₂ GAS CHARGING KIT	1	
1	13105900	N ₂ GAS 3-WAY VALVE ASSEMBLY	1	
2	16802000	N ₂ HOSE	1	
3	13105910	N ₂ COUPLING KIT	1	
4	13105920	N ₂ GAS CYLINDER	1	

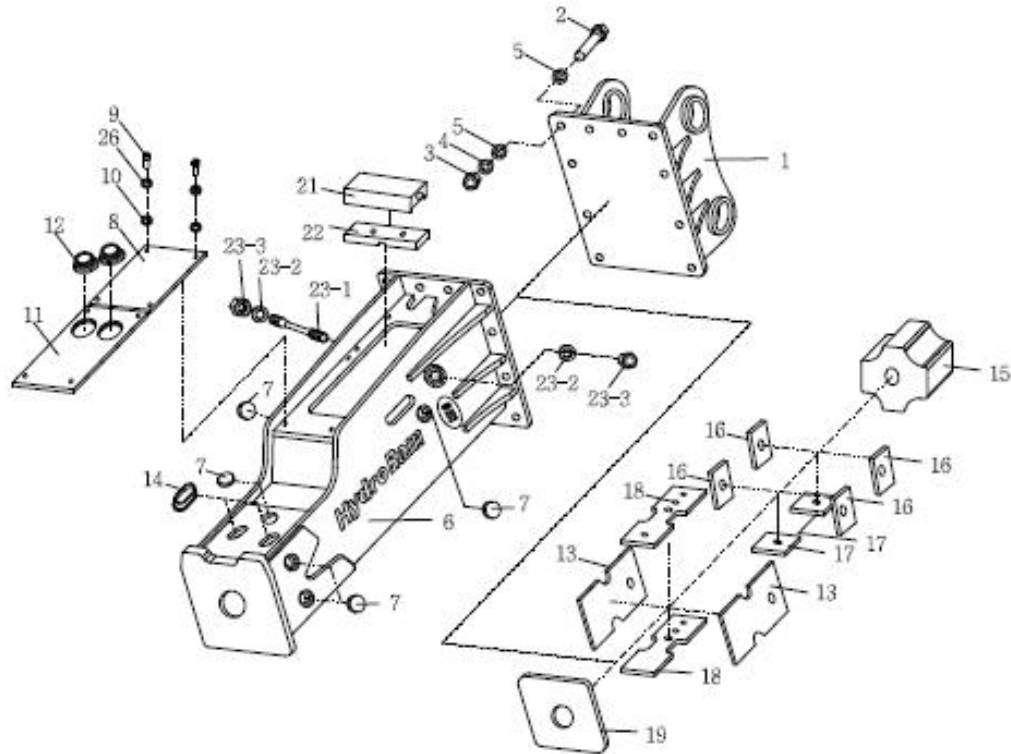
■ HK220 BRACKET PARTS LIST

HK220

TOP BRACKET



SILENCE BRACKET



■ HK220 BRACKET PARTS LIST

■HK220 TOP BRACKET				■HK220S SILENCE BRACKET			
No.	Part No.	Part Name	Q'ty	No.	Part No.	Part Name	Q'ty
0	DA200000	TOP BRACKET ASSEMBLY	1	0	DA300870	SILENCE BRACKET ASSEMBLY	1
1	DA200080	TOP BRACKET	1	1	DA300970	TOP BRACKET	1
2	20009410	HEX HEAD BOLT	12	2	20009410	HEX HEAD BOLT	12
3	12001500	HEX HEAD NUT	12	3	12001500	HEX HEAD NUT	12
4	13001150	SPRING WASHER	12	4	13001150	SPRING WASHER	12
5	13000140	FLAT WASHER	24	5	13000140	FLAT WASHER	24
6	DA200130	SIDE PLATE BRACKET	1	6	DA300880	SILENCE BRACKET	1
7	DA693000	SET BOLT SET	8	7	D9300070	RUBBER CAP-S	7
7-1	DA200140	SET BOLT	1	8	DA301010	UPPER COVER	1
7-2	DG200040	SET BOLT WASHER	2	9	20211760	HEX SOCKET HEAD BOLT	8
7-3	DG200030	SET BOLT NUT	2	10	13000080	FLAT WASHER	8
*	DA695100	DECAL KIT(TOP)	*	11	DA300990	DOWN COVER	1
MEMO				12	13008020	HOSE PROTECT	2
				13	DA300930	LOW SIDE WEAR PLATE	2
				14	D8300130	RUBBER CAP-F	4
				15	DA300470	UPPER CUSHION	1
				16	DA300900	SIDE WEAR PLATE	4
				17	DA300910	FRONT WEAR PLATE	2
				18	DA300920	LOW FRONT WEAR PLATE	2
				19	DA300380	DOWN CUSHION	1
				21	DA301020	MIDDLE BLOCK	1
				22	DD300090	MIDDLE BLOCK CUSHION	1
				23	DA693000	SET BOLT SET	1
				23-1	DA200140	SET BOLT	1
				23-2	DG200040	SET BOLT WASHER	2
				23-3	DG200030	SET BOLT NUT	2
				*	DA695200	DECAL KIT(SILENCE)	*



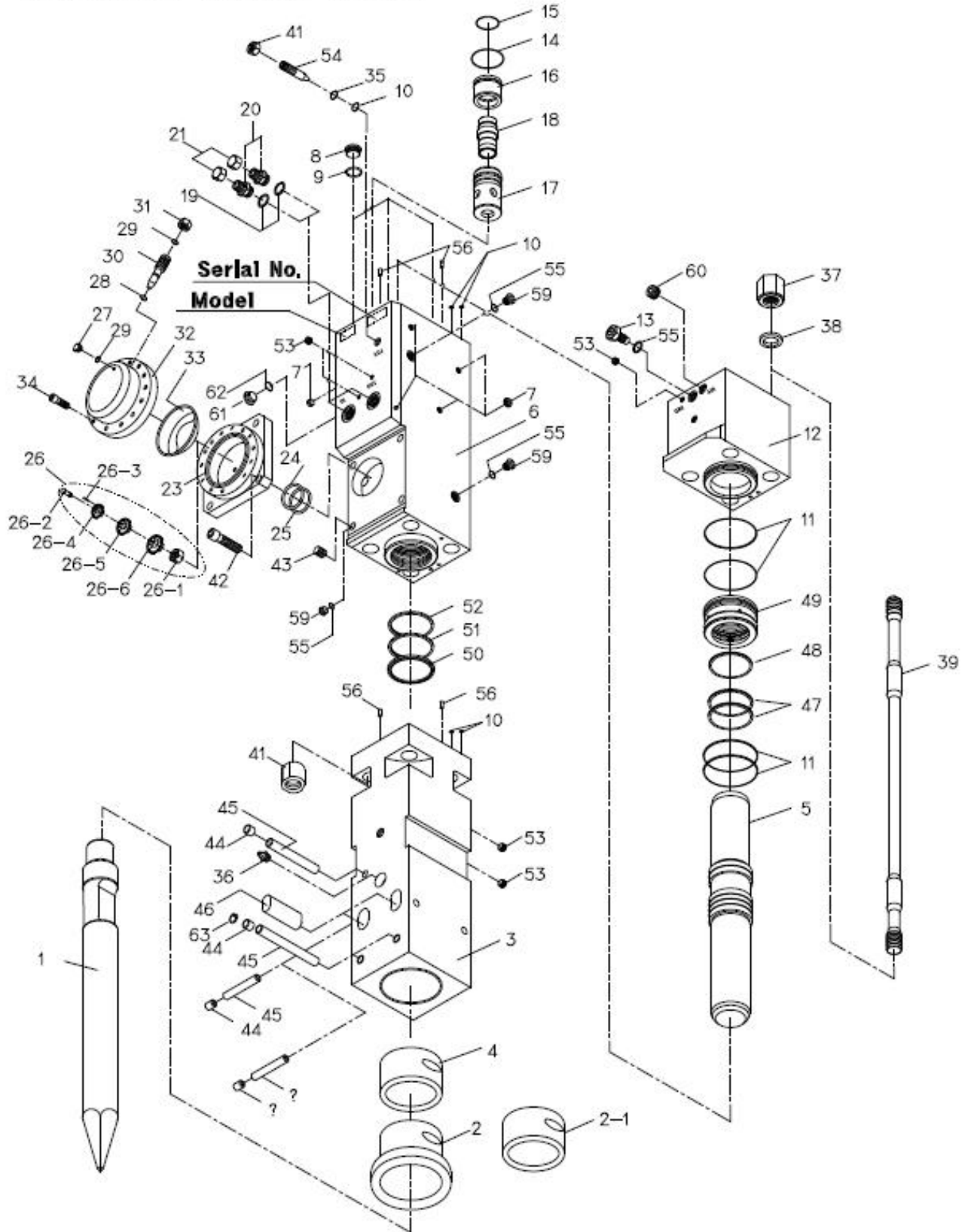
BHI
HydroRam
Hydraulic Hammer

HK250
Parts List



■ HK250 POWER CELL PARTS LIST

HK250 POWER CELL



■ HK250 POWER CELL PARTS LIST

No.	Part No.	Part Name	Q'ty	No.	Part No.	Part Name	Q'ty
0	DB000000	POWER CELL ASSEMBLY	1	21	13007170	UNION CAP(PF)	0
1	DB000220	TOOL(MOIL)	1	21-1	13007050	UNION CAP(JIC)	2
1-1	DB000250	TOOL(H-WEDGE)	0	21-2	13007460	UNION CAP(ORFS)	0
1-2	DB000230	TOOL(CONE)	0	*22	DC000830	ACCUMULATOR ASSEMBLY	2
1-3	DB000260	TOOL(BLUNT)	0	23	DC000840	ACCUMULATOR BODY	1
1-4	DB000240	TOOL(V-WEDGE)	0	24	22409600	BACK UP RING	1
2	DB000130	TOOL HOLDER BUSHING(T)	1	25	22402540	O-RING	1
2-1	DB000280	TOOL HOLDER BUSHING(S)	1	26	DG692300	ACC. ORIFICE SET	1
2-2	DB001010	TOOL HOLDER BUSHING(T) (Oversized (+0.08~+0.1mm))	-	26-1	DA000440	LOCK NUT	1
2-3	DB101050	TOOL HOLDER BUSHING(S) (Oversized (+0.08~+0.1mm))	-	26-2	DG000450	ORIFICE(A)	1
3	DB000110	TOOL HOLDER	1	26-3	DG000490	HOLDER PIN	1
4	DB000120	ROUND BUSHING	1	26-4	DG000460	ORIFICE(B)	1
4-1	DB101210	ROUND BUSHING (Oversized (+0.08~+0.1mm))	-	26-5	DG000470	ORIFICE(C)	1
5	DB000060	PISTON	1	26-6	DG000480	ORIFICE(D)	1
6	DB000370	CYLINDER	1	27	DA000510	O-RING CAP	1
7	13006010	PT SOCKET PLUG	5	28	22401930	O-RING	1
8	DA000240	PF SOCKET PLUG	3	29	22402040	O-RING	2
9	22402110	O-RING	3	30	DC000330	CHARGING VALVE	1
10	22402060	O-RING	5	31	DC000320	O-RING PLUG	1
11	22401630	O-RING	4	32	DC000350	ACCUMULATOR COVER	1
12	DB000290	HEAD CAP	1	33	DC000360	DIAPHRAGM	1
13	D7000200	GAS VALVE ASSEMBLY	1	34	20212100	HEX SOCKET HEAD BOLT	16
14	22401430	O-RING	1	35	22405650	BACK UP RING	1
15	22401350	O-RING	1	36	13007810	GREASE NIPPLE	1
16	DB000100	MAIN VALVE CAP	1	37	DB000350	TOP NUT	4
17	DB000080	MAIN VALVE CASE	1	38	DB000180	TOP NUT WASHER	4
18	DB000090	MAIN VALVE	1	39	DB000340	TENSION BOLT	4
19	22402260	O-RING	2	40	12002410	HEX HEAD NUT	1
20	13008890	O-RING ADAPTER(PF*PF)	0	41	DB000360	BOTTOM NUT	4
20-1	13009380	O-RING ADAPTER(PF*JIC)	2	42	20213620	HEX SOCKET HEAD BOLT	4
20-2	13009570	O-RING ADAPTER(PF*ORFS)	0	43	13102810	HELI COIL SPRING	4

■ HK250 POWER CELL PARTS LIST

No.	Part No.	Part Name	Q'ty	MEMO
44	13007320	RUBBER PLUG	5	
45	DB000140	STOP PIN	5	
46	DB000150	RETAINER PIN	2	
47	22300110	STEP SEAL	2	
48	22200120	GAS SEAL	1	
49	DB000070	CYLINDER BUSHING	1	
50	22002710	DUST SEAL	1	
51	22003960	U PACKING SEAL	1	
52	22000240	BUFFER SEAL	1	
53	13006030	PT SOCKET PLUG	5	
54	DF000590	ADJUSTER VALVE	1	
55	22402070	O-RING	4	
56	D9000050	PIN	4	
*57	16801490	SPRING HOSE(PF*PF)	0	
57-1	16804560	SPRING HOSE(JIC*JIC)	2	
57-2	16811010	SPRING HOSE(ORFS*ORFS)	0	
*58	13006590	HOSE PLUG(PF)	0	
58-1	13008430	HOSE PLUG(JIC)	2	
58-2	13008260	HOSE PLUG(ORFS)	0	
59	DA000400	PF SOCKET PLUG	3	
60	13006020	PT SOCKET PLUG	1	
61	DD000230	M32 SOCKET PLUG-	1	
62	22402150	O-RING	1	
63	13003120	SNAN RING	2	
*	*	*	*	
*	DB691000	HEAD CAP SET	*	
*	DB691100	CYLINDER SET	*	
*	DB691200	TOOL HOLDER SET	*	
*	DB691300	MAIN VALVE SET	*	
*	DB691400	TENSION BOLT SET	*	
*	DC000830	ACCUMULATOR ASSEMBLY	*	
MEMO				

■ HK250 SPARE SEAL KIT PARTS LIST

No.	Part No.	Part Name	Q'ty	MEMO
0	DB691500	SPARE SEAL KIT	1	
1	22402110	O-RING	3	
2	22402060	O-RING	5	
3	22401630	O-RING	4	
4	22401430	O-RING	1	
5	22401350	O-RING	1	
6	22402260	O-RING	2	
7	22409600	BACK UP RING	1	
8	22402540	O-RING	1	
9	22401930	O-RING	1	
10	22402040	O-RING	2	
11	22405650	BACK UP RING	1	
12	22300110	STEP SEAL	2	
13	22200120	GAS SEAL	1	
14	22002710	DUST SEAL	1	
15	22003960	U PACKING SEAL	1	
16	22000240	BUFFER SEAL	1	
17	22402070	O-RING	4	
18	22402150	O-RING	1	
MEMO				

■ HK250 TOOL KIT PARTS LIST

No.	Part No.	Part Name	Q'ty			Remarks
			Side	Top	Silence	
0	-	TOOL KIT	DB691600	DB691700	DB691800	HK250
1	16502990	TOOL BOX	1	1	1	No.1
2	16500260	COMBI SPANNER	1	1	1	14mm
3	16502510	SINGLE SPANNER	1	1	1	32mm
4	16502580	SINGLE SPANNER	1	1	1	50mm
5	16502100	DOUBLE SPANNER	1	1	1	27X30mm
6	16501140	L WRENCH	1	1	1	5mm
7	16501170	L WRENCH	1	1	1	10mm
8	16501190	L WRENCH	1	1	1	14mm
9	16501210	L WRENCH	1	1	1	19mm
10	16503090	HANDLE RETAINER PIN	1	1	1	M12
11	16500770	HAMMER RING WRENCH	1	1	1	75mm
12	16500730	HAMMER RING WRENCH	-	1	1	55mm

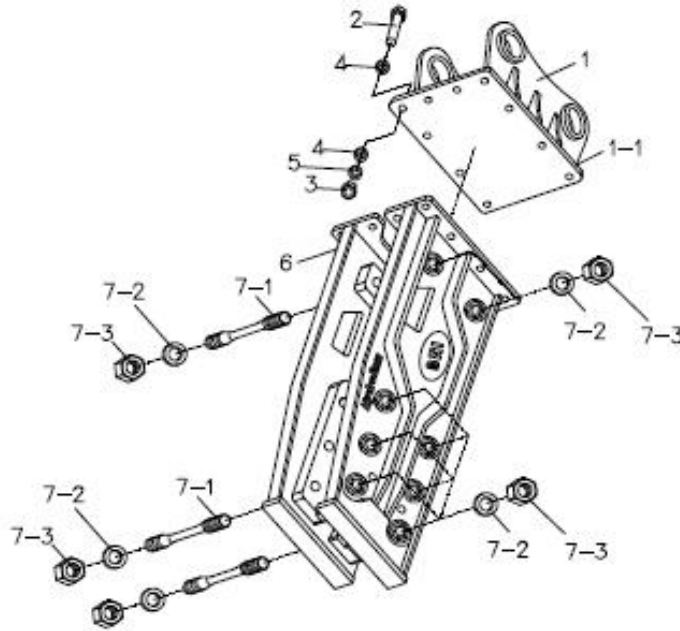
■ HK250 N2 GAS CHARGING KIT PARTS LIST

No.	Part No.	Part Name	Q'ty	MEMO
0	DA698000	N ₂ GAS CHARGING KIT	1	
1	13105900	N ₂ GAS 3-WAY VALVE ASSEMBLY	1	
2	16802000	N ₂ HOSE	1	
3	13105910	N ₂ COUPLING KIT	1	
4	13105930	N ₂ GAS CYLINDER	1	

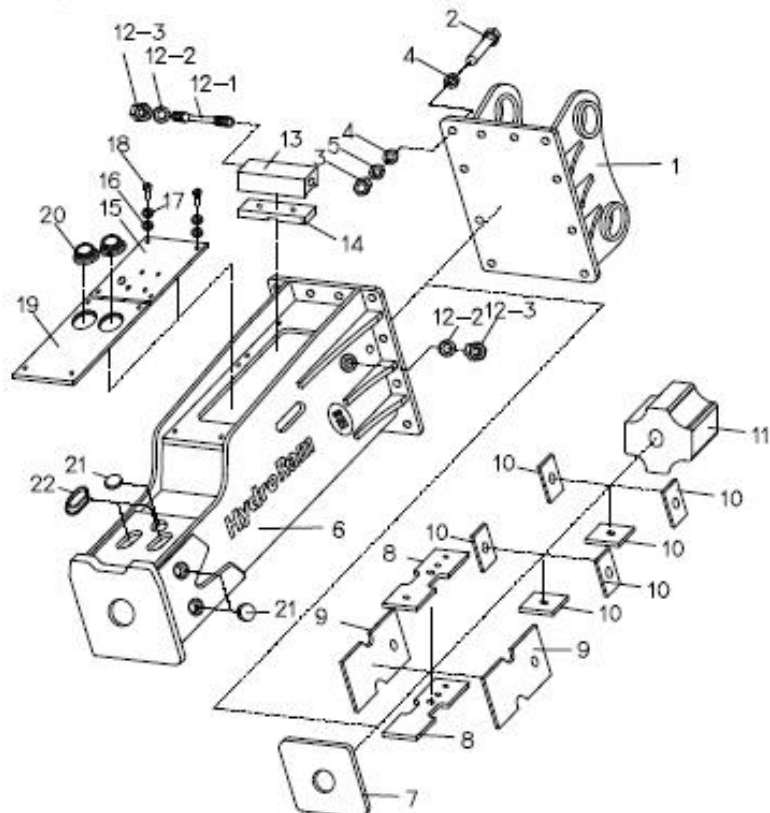
■ HK250 BRACKET PARTS LIST

HK250

TOP BRACKET



SILENCE BRACKET



■ HK250 BRACKET PARTS LIST

■ HK250 TOP BRACKET				■ HK250S SILENCE BRACKET			
No.	Part No.	Part Name	Q'ty	No.	Part No.	Part Name	Q'ty
0	DB200000	TOP BRACKET ASSEMBLY	1	0	DB300000	SILENCE BRACKET ASSEMBLY	1
1	DC300870	TOP BRACKET	1	1	DC300870	TOP BRACKET	1
2	20009790	HEX HEAD BOLT	12	2	20009790	HEX HEAD BOLT	12
3	12001510	HEX HEAD NUT	12	3	12001510	HEX HEAD NUT	12
4	13000150	FLAT WASHER	24	4	13000150	FLAT WASHER	24
5	13001160	SPRING WASHER	12	5	13001160	SPRING WASHER	12
6	DB200050	SIDE PLATE BRACKET	1	6	DB300010	SILENCE BRACKET	1
7	DB693000	SET BOLT SET	8	7	DB300290	DOWN CUSHION	1
7-1	DB200080	SET BOLT	1	8	DB300050	LOW FRONT WEAR PLATE	2
7-2	DB200100	SET BOLT WASHER	2	9	DB300060	LOW SIDE WEAR PLATE	2
7-3	DB200110	SET BOLT NUT	2	10	DC300850	FRONT WEAR PLATE	6
*	DB695100	DECAL KIT(TOP)	*	11	DB300300	UPPER CUSHION	1
MEMO				12	D9693010	SET BOLT SET	1
				12-1	D9100330	SET BOLT	1
				12-2	DG200040	SET BOLT WASHER	2
				12-3	DG200030	SET BOLT NUT	2
				13	DB300040	MIDDLE BLOCK	1
				14	DD300090	MIDDLE BLOCK CUSHION	1
				15	DB300030	UPPER COVER	1
				16	13000080	FLAT WASHER	8
				17	13001080	SPRING WASHER	4
				18	20211760	HEX SOCKET HEAD BOLT	8
				19	DB300020	DOWN COVER	1
				20	13008030	HOSE PROTECT	2
				21	D9300070	RUBBER CAP-S	4
				22	D8300130	RUBBER CAP-F	4
				*	DB695200	DECAL KIT(SILENCE)	*
				MEMO			

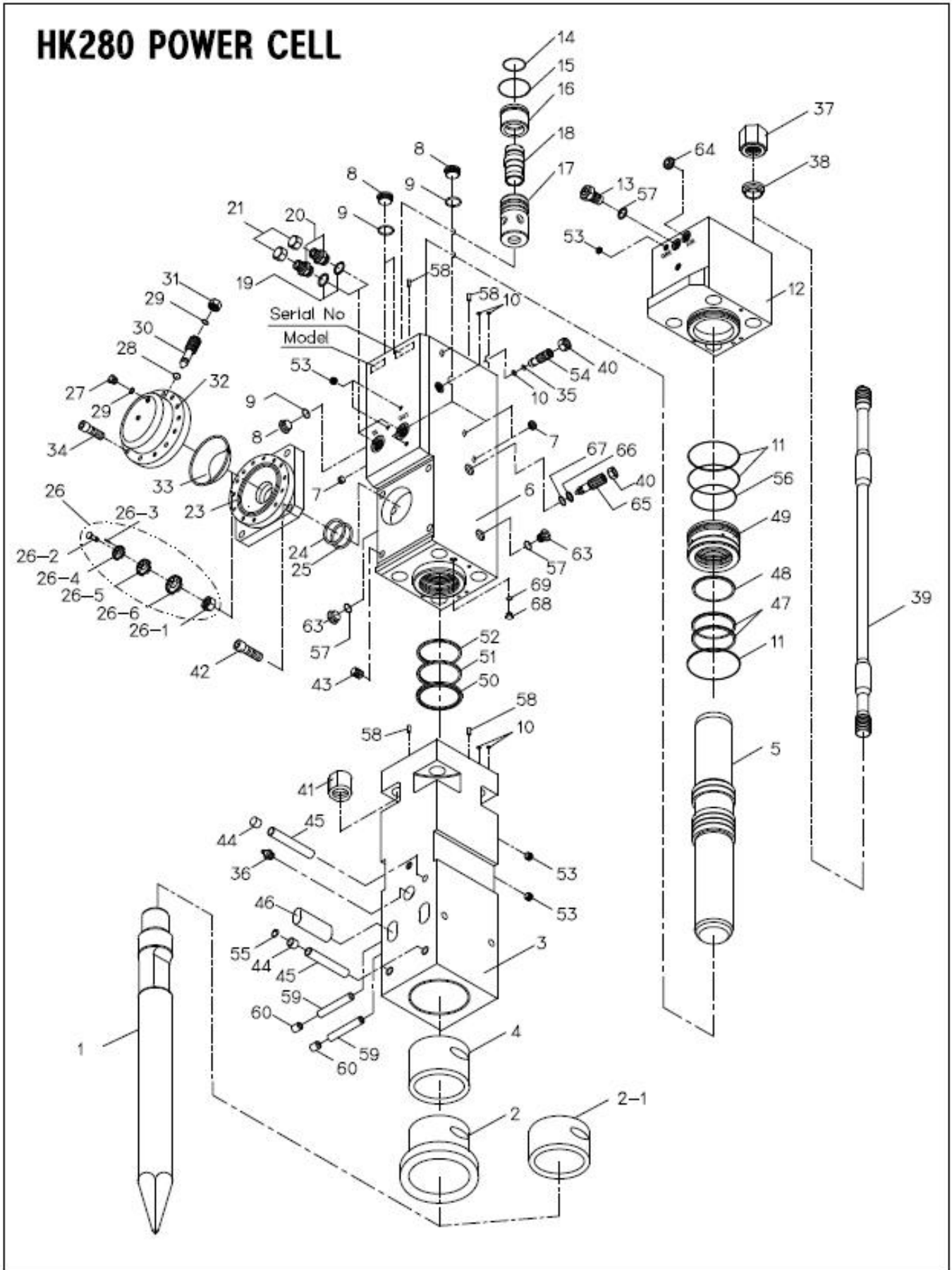


BHI
HydroRam
Hydraulic Hammer

HK280
Parts List



■ HK280 POWER CELL PARTS LIST



■ HK280 POWER CELL PARTS LIST

No.	Part No.	Part Name	Q'ty	No.	Part No.	Part Name	Q'ty
0	DC000820	POWER CELL ASSEMBLY	1	21	13007170	UNION CAP(PF)	0
1	DC000050	TOOL(MOIL)	1	21-1	13007050	UNION CAP(JIC)	2
1-1	DC000080	TOOL(H-WEDGE)	0	21-2	13007460	UNION CAP(ORFS)	0
1-2	DC000060	TOOL(CONE)	0	22	DC000830	ACCUMULATOR ASSEMBLY	1
1-3	DC000090	TOOL(BLUNT)	0	23	DC000840	ACCUMULATOR BODY	1
1-4	DC000070	TOOL(V-WEDGE)	0	24	22409600	BACK UP RING	1
2	DC000160	TOOL HOLDER BUSHING(T)	1	25	22402540	O-RING	1
2-1	DC000480	TOOL HOLDER BUSHING(S)	1	26	DG692300	ACC. ORIFICE SET	1
2-2	DC001010	TOOL HOLDER BUSHING(T) (Oversized (+0.08~+0.1mm))	-	26-1	DA000440	LOCK NUT	1
2-3	DC001050	TOOL HOLDER BUSHING(S) (Oversized (+0.08~+0.1mm))	-	26-2	DG000450	ORIFICE(A)	1
3	DC000570	TOOL HOLDER	1	26-3	DG000490	HOLDER PIN	1
4	DC000180	ROUND BUSHING	1	26-4	DG000460	ORIFICE(B)	1
4-1	DC001210	ROUND BUSHING (Oversized (+0.08~+0.1mm))	-	26-5	DG000470	ORIFICE(C)	1
5	DC000190	PISTON	1	26-6	DG000480	ORIFICE(D)	1
6	DC000850	CYLINDER	1	27	DA000510	O-RING CAP	1
7	13006010	PT SOCKET PLUG	5	28	22401930	O-RING	1
8	DF000050	M36 SOCKET PLUG	4	29	22402040	O-RING	2
9	22402210	O-RING	4	30	DC000330	CHARGING VALVE	1
10	22402060	O-RING	5	31	DC000320	O-RING PLUG	1
11	22401660	O-RING	3	32	DC000350	ACCUMULATOR COVER	1
12	DC000600	HEAD CAP	1	33	DC000360	DIAPHRAGM	1
13	D7000200	GAS VALVE ASSEMBLY	1	34	20212100	HEX SOCKET HEAD BOLT	16
14	22401410	O-RING	1	35	22405650	BACK UP RING	1
15	22401440	O-RING	1	36	13007810	GREASE NIPPLE	2
16	DC000220	MAIN VALVE CAP	1	37	DC000760	TOP NUT	4
17	DC000230	MAIN VALVE CASE	1	38	DC000380	TOP NUT WASHER	4
18	DC000240	MAIN VALVE	1	39	DC000860	TENSION BOLT	4
19	22402260	O-RING	2	40	12002410	HEX HEAD NUT	2
20	13008890	O-RING ADAPTER(PF*PF)	0	41	DD000490	BOTTOM NUT	4
20-1	13009380	O-RING ADAPTER(PF*JIC)	2	42	20213620	HEX SOCKET HEAD BOLT	4
20-2	13009570	O-RING ADAPTER(PF*ORFS)	0	43	13102810	HELI COIL SPRING	4

■ HK280 POWER CELL PARTS LIST

No.	Part No.	Part Name	Q'ty	MEMO
44	13007340	RUBBER PLUG	3	
45	DC000420	STOP PIN	3	
46	DC000430	RETAINER PIN	2	
47	22300080	STEP SEAL	2	
48	22200090	GAS SEAL	1	
49	DC000440	CYLINDER BUSHING	1	
50	22002730	DUST SEAL	1	
51	22003980	U PACKING SEAL	1	
52	22000250	BUFFER SEAL	1	
53	13006030	PT SOCKET PLUG	5	
54	DC000660	ADJUSTER VALVE	1	
55	13003170	SNAP RING	2	
56	22401640	O-RING	1	
57	22402070	O-RING	3	
58	D9000050	PIN	4	
59	DC000450	STOP PIN	2	
60	13007320	RUBBER PLUG	2	
*61	16801770	SPRING HOSE(PF*PF)	0	
61-1	16804740	SPRING HOSE(JIC*JIC)	2	
61-2	16810930	SPRING HOSE(PF*ORFS)	0	
*62	13006590	HOSE PLUG(PF)	0	
62-1	13008430	HOSE PLUG(JIC)	2	
62-2	13008260	HOSE PLUG(ORFS)	0	
63	DA000400	PF SOCKET PLUG	2	
64	13006020	PT SOCKET PLUG	1	
65	DL000230	CYLINDER ADJUSTER	1	
66	22405610	BACK UP RING	1	
67	22402020	O-RING	1	
68	DH000380	PF SOCKET PLUG	1	
69	22402000	O-RING	1	
*	DC691000	HEAD CAP SET	*	
*	DC691110	CYLINDER SET	*	
*	DC691200	TOOL HOLDER SET	*	
*	DC691300	MAIN VALVE SET	*	
*	DC691410	TENSION BOLT SET	*	
*	DC000830	ACCUMULATOR ASSEMBLY	*	

■ HK280 SPARE SEAL KIT PARTS LIST

No.	Part No.	Part Name	Q'ty	MEMO
0	DC691520	SPARE SEAL KIT	1	
1	22402210	O-RING	4	
2	22402060	O-RING	5	
3	22401660	O-RING	3	
4	22401410	O-RING	1	
5	22401440	O-RING	1	
6	22402260	O-RING	2	
7	22409600	BACK UP RING	1	
8	22402540	O-RING	1	
9	22401930	O-RING	1	
10	22402040	O-RING	2	
11	22405650	BACK UP RING	1	
12	22300080	STEP SEAL	2	
13	22200090	GAS SEAL	1	
14	22002730	DUST SEAL	1	
15	22003980	U PACKING SEAL	1	
16	22000250	BUFFER SEAL	1	
17	22401640	O-RING	1	
18	22402070	O-RING	3	
19	22405610	BACK UP RING	1	
20	22402020	O-RING	1	
21	22402000	O-RING	1	
MEMO				

■ HK280 TOOL KIT PARTS LIST

No.	Part No.	Part Name	Q'ty			Remarks
			Side	Top	Silence	
0	-	TOOL KIT	DC691600	DC691700	DC691800	HK280
1	16502990	TOOL BOX	1	1	1	No.1
2	16500260	COMBI SPANNER	1	1	1	14mm
3	16502580	SINGLE SPANNER	1	1	1	50mm
4	16502510	SINGLE SPANNER	1	1	1	32mm
5	16502100	DOUBLE SPANNER	1	1	1	27X30mm
6	16501140	L WRENCH	1	1	1	5mm
7	16501190	L WRENCH	1	1	1	14mm
8	16501210	L WRENCH	1	1	1	19mm
9	16501170	L WRENCH	1	1	1	10mm
10	16503090	HANDLE RETAINER PIN	1	1	1	M12
11	16500770	HAMMER RING WRENCH	1	1	1	75m
12	16500800	HAMMER RING WRENCH	1	1	-	90mm
13	16500730	HAMMER RING WRENCH	-	1	1	55mm

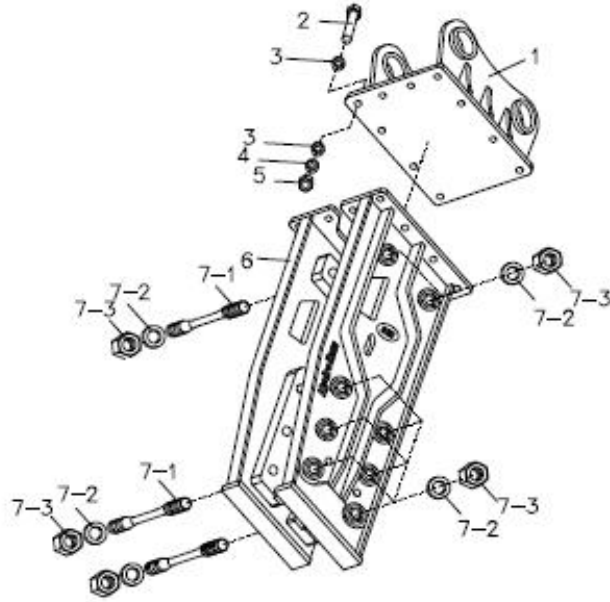
■ HK280 N2 GAS CHARGING KIT PARTS LIST

No.	Part No.	Part Name	Q'ty	MEMO
0	DA698000	N ₂ GAS CHARGING KIT	1	
1	13105900	N ₂ GAS 3-WAY VALVE ASSEMBLY	1	
2	16802000	N ₂ HOSE	1	
3	13105910	N ₂ COUPLING KIT	1	
4	13105930	N ₂ GAS CYLINDER	1	

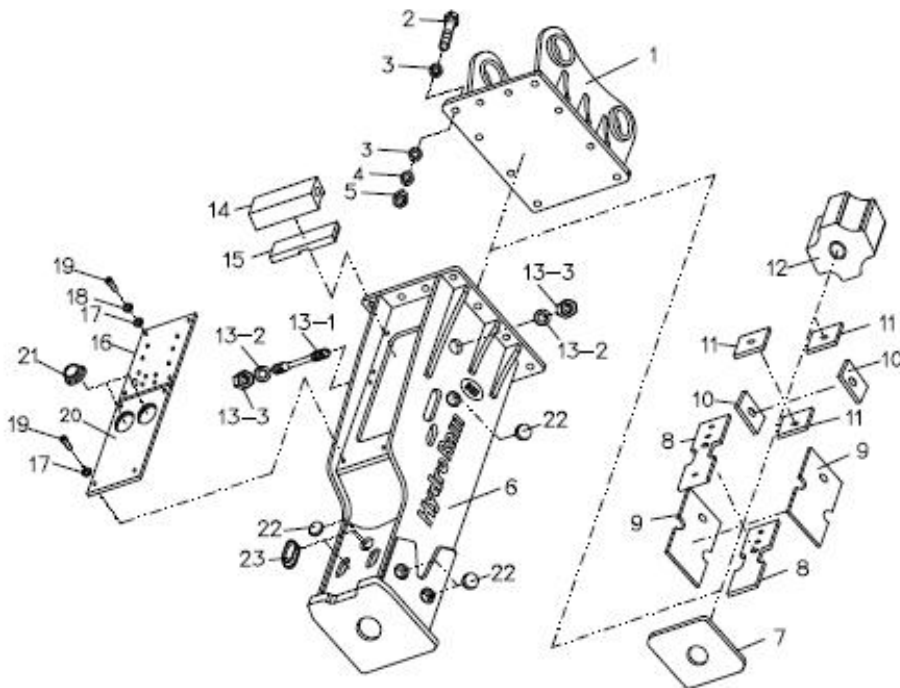
■ HK280 BRACKET PARTS LIST

HK280

TOP BRACKET



SILENCE BRACKET



■ HK280 BRACKET PARTS LIST

■ HK280 TOP BRACKET				■ HK280S SILENCE BRACKET			
No.	Part No.	Part Name	Q'ty	No.	Part No.	Part Name	Q'ty
0	DC200050	TOP BRACKET ASSEMBLY	1	0	DC300690	SILENCE BRACKET ASSEMBLY	1
1	DC300870	TOP BRACKET	1	1	DC300870	TOP BRACKET	1
2	20009790	HEX HEAD BOLT	12	2	20009790	HEX HEAD BOLT	12
3	13000150	FLAT WASHER	24	3	13000150	FLAT WASHER	24
4	13001160	SPRING WASHER	12	4	13001160	SPRING WASHER	12
5	12001510	HEX HEAD NUT	12	5	12001510	HEX HEAD NUT	12
6	DC200060	SIDE PLATE BRACKET	1	6	DC300700	SILENCE BRACKET	1
7	DC693010	SET BOLT SET	8	7	DC300210	DOWN CUSHION	1
7-1	DC200100	SET BOLT	1	8	DC300830	LOW FRONT WEAR PLATE	2
7-2	DC100080	SET BOLT WASHER	2	9	DC300820	LOW SIDE WEAR PLATE	2
7-3	DC200110	SET BOLT NUT	2	10	DC300840	SIDE WEAR PLATE	4
-	DC695100	DECAL KIT(TOP)	1	11	DC300850	FRONT WEAR PLATE	3
MEMO				12	DL300140	UPPER CUSHION	1
				13	DC693010	SET BOLT SET	1
				13-1	DC200100	SET BOLT	1
				13-2	DC100080	SET BOLT WASHER	2
				13-3	DC200110	SET BOLT NUT	2
				14	DC300400	MIDDLE BLOCK	1
				15	DC300090	MIDDLE BLOCK CUSHION	1
				16	DC300950	UPPER COVER	1
				17	13000080	FLAT WASHER	8
				18	13001080	SPRING WASHER	4
				19	20211760	HEX SOCKET HEAD BOLT	8
				20	DC300910	DOWN COVER	1
				21	13008030	HOSE PROTECT	2
				22	D9300070	RUBBER CAP-S	6
				23	D8300130	RUBBER CAP-F	4
				*	DC695100	DECAL KIT(SILENCE)	*

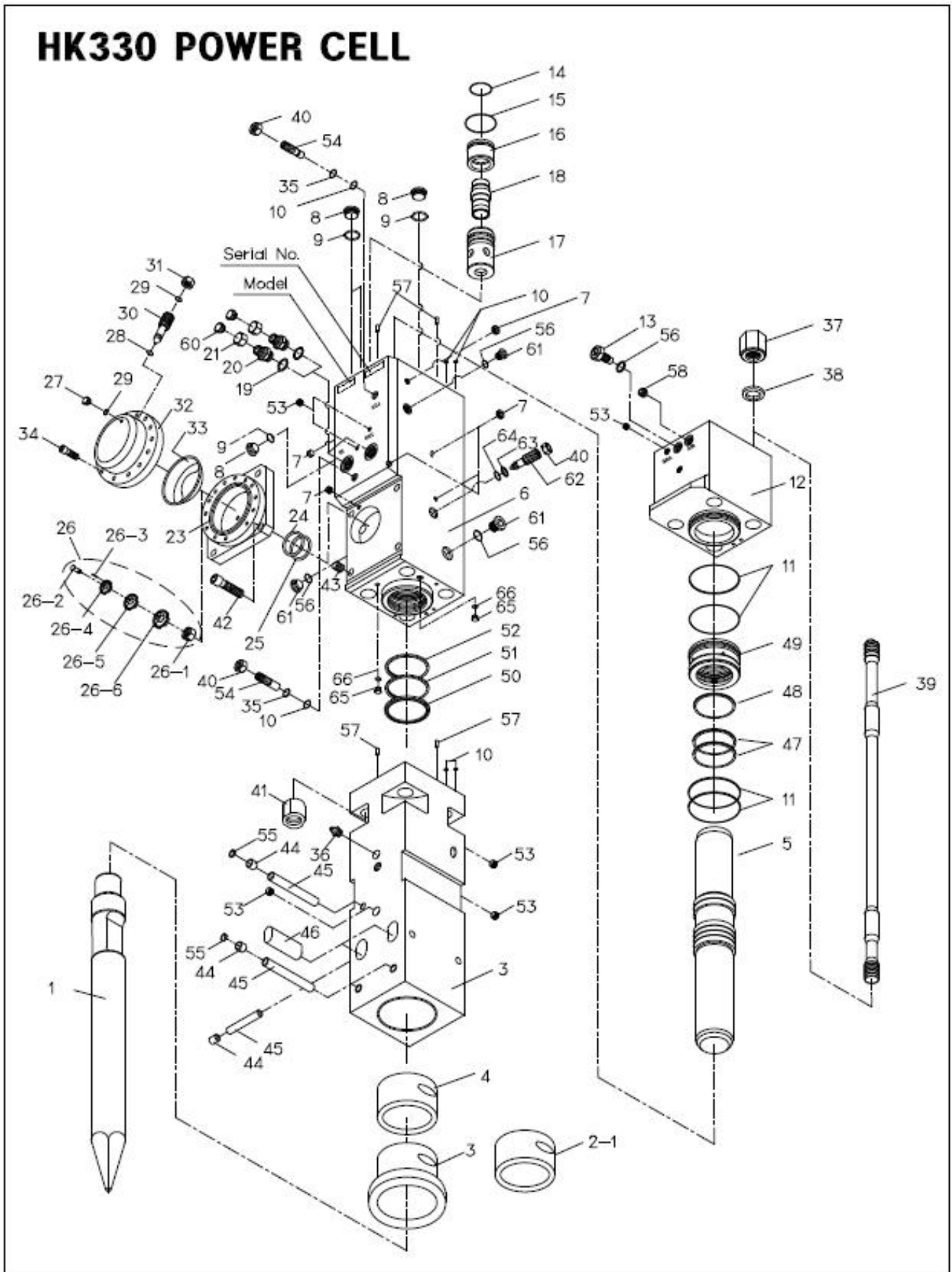


BHI HydroRam Hydraulic Hammer

HK330 Parts List



■ HK330 POWER CELL



■ HK330 POWER CELL PARTS LIST

No.	Part No.	Part Name	Q'ty	No.	Part No.	Part Name	Q'ty
0	DD000000	POWER CELL ASSEMBLY	1	24	22409600	BACK UP RING	1
1	DD000050	TOOL(MOIL)	1	25	22402540	O-RING	1
1-1	DD000080	TOOL(H-WEDGE)	0	26	DG692300	ACC. ORIFICE SET	1
1-2	DD000060	TOOL(CONE)	0	26-1	DA000440	LOCK NUT	1
1-3	DD000070	TOOL(BLUNT)	0	26-2	DG000450	ORIFICE(A)	1
1-4	DD000090	TOOL(V-WEDGE)	0	26-3	DG000490	HOLDER PIN	1
2	DD000170	TOOL HOLDER BUSHING(T)	1	26-4	DG000460	ORIFICE(B)	1
2-1	DD001010	TOOL HOLDER BUSHING(T) (Oversized (+0.08~+0.1mm))	1	26-5	DG000470	ORIFICE(C)	1
2-2	DD000330	TOOL HOLDER BUSHING(S)	1	26-6	DG000480	ORIFICE(D)	1
2-3	DD001050	TOOL HOLDER BUSHING(S) (Oversized (+0.08~+0.1mm))	1	27	DA000510	O-RING CAP	1
3	DD000180	TOOL HOLDER	1	28	22401930	O-RING	1
4	DD000190	ROUND BUSHING	1	29	22402040	O-RING	2
4-1	DD001210	ROUND BUSHING (Oversized (+0.08~+0.1mm))	1	30	DC000330	CHARGING VALVE	1
5	DD000200	PISTON	1	31	DC000320	O-RING PLUG	1
6	DD000450	CYLINDER	1	32	DC000350	ACCUMULATOR COVER	1
7	13006010	PT SOCKET PLUG	5	33	DC000360	DIAPHRAGM	1
8	DF000050	M36 SOCKET PLUG	4	34	20212100	HEX SOCKET HEAD BOLT	16
9	22402210	O-RING	4	35	22405650	BACK UP RING	2
10	22402060	O-RING	7	36	13007810	GREASE NIPPLE	1
11	22401660	O-RING	4	37	DD000470	TOP NUT	4
12	DD000240	HEAD CAP	1	38	DD000480	TOP NUT WASHER	4
13	D7000200	GAS VALVE ASSEMBLY	1	39	DD000460	TENSION BOLT	4
14	22401410	O-RING	1	40	12002410	HEX HEAD NUT	3
15	22401430	O-RING	1	41	DD000490	BOTTOM NUT	4
16	DD000250	MAIN VALVE CAP	1	42	20213620	HEX SOCKET HEAD BOLT	4
17	DD000260	MAIN VALVE CASE	1	43	13102810	HELI COIL SPRING	4
18	DD000270	MAIN VALVE	1	44	13007340	RUBBER PLUG	5
19	22402260	O-RING	2	45	DC000420	STOP PIN	5
20	13008890	O-RING ADAPTER(PF*PF)	0	46	DC000430	RETAINER PIN	2
20-1	13009380	O-RING ADAPTER(JIC*JIC)	2	47	22300090	STEP SEAL	2
20-2	13009570	O-RING ADAPTER(PF*ORFS)	0	48	22200160	GAS SEAL	1
21	13007170	UNION CAP(PF)	0	49	DD000310	CYLINDER BUSHING	1
21-1	13007050	UNION CAP(JIC)	2	50	22002740	DUST SEAL	1
21-2	13007460	UNION CAP(ORFS)	0	51	22004000	U PACKING SEAL	1
22	DC000830	ACCUMULATOR ASSEMBLY	1	52	22000260	BUFFER SEAL	1
23	DC000840	ACCUMULATOR BODY	1	53	13006030	PT SOCKET PLUG	6

■ HK330 POWER CELL PARTS LIST

No.	Part No.	Part Name	Q'ty	MEMO
54	DF000590	ADJUSTER VALVE	2	
55	13003170	SNAP RING	3	
56	22402070	O-RING	4	
57	D9000050	PIN	4	
58	13006020	PT SOCKET PLUG	1	
*59	16801770	SPRING HOSE(PF*PF)	0	
59-1	16801740	SPRING HOSE(JIC*JIC)	2	
59-2	16811020	SPRING HOSE(ORFS*ORFS)	0	
*60	13006590	HOSE PLUG(PF)	0	
60-1	16008430	HOSE PLUG(JIC)	2	
60-2	13008260	HOSE PLUG(ORFS)	-	
61	DA000400	PF SOCKET PLUG	3	
62	DL000230	CYLINDER ADJUSTER	1	
63	22405610	BACK UP RING	1	
64	22402020	O-RING	1	
65	DH000380	PF SOCKET PLUG	2	
66	22402000	O-RING	2	
*	*	*	*	
*	DD691000	HEAD CAP SET	*	
*	DD691110	CYLINDER SET	*	
*	DD691200	TOOL HOLDER SET	*	
*	DD691300	MAIN VALVE SET	*	
*	DD691410	TENSION BOLT SET	*	
*	DC000830	ACCUMULATOR ASSEMBLY	*	
MEMO				

■ HK330 SPARE SEAL KIT PARTS LIST

No.	Part No.	Part Name	Q'ty	MEMO
0	DD691520	SPARE SEAL KIT	1	
1	22402210	O-RING	4	
2	22402060	O-RING	7	
3	22401660	O-RING	4	
4	22401410	O-RING	1	
5	22401430	O-RING	1	
6	22402260	O-RING	2	
7	22409600	BACK UP RING	1	
8	22402540	O-RING	1	
9	22401930	O-RING	1	
10	22402040	O-RING	2	
11	22405650	BACK UP RING	2	
12	22300090	STEP SEAL	2	
13	22200160	GAS SEAL	1	
14	22002740	DUST SEAL	1	
15	22004000	U PACKING SEAL	1	
16	22000260	BUFFER SEAL	1	
17	22402070	O-RING	4	
18	22405610	BACK UP RING	1	
19	22402020	O-RING	1	
20	22402000	O-RING	2	
MEMO				

■ HK330 TOOL KIT PARTS LIST

No.	Part No.	Part Name	Q'ty			Remarks
			Side	Top	Silence	
0	-	TOOL KIT	DD691600	DD691700	DD691800	HK330
1	16502990	TOOL BOX	1	1	1	No.1
2	16500260	COMBI SPANNER	1	1	1	14mm
3	16502580	SINGLE SPANNER	1	1	1	50mm
4	16500370	SINGLE SPANNER	1	1	1	32mm
5	16501140	L WRENCH	1	1	1	5mm
6	16501190	L WRENCH	1	1	1	14mm
7	16501210	L WRENCH	1	1	1	19mm
8	16501170	L WRENCH	1	1	1	10mm
9	16503090	HANDLE RETAINER PIN	1	1	1	M12
10	16500770	HAMMER RING WRENCH	1	1	1	75mm
11	16500800	HAMMER RING WRENCH	1	1	-	90mm
12	16500730	HAMMER RING WRENCH	-	1	1	55mm

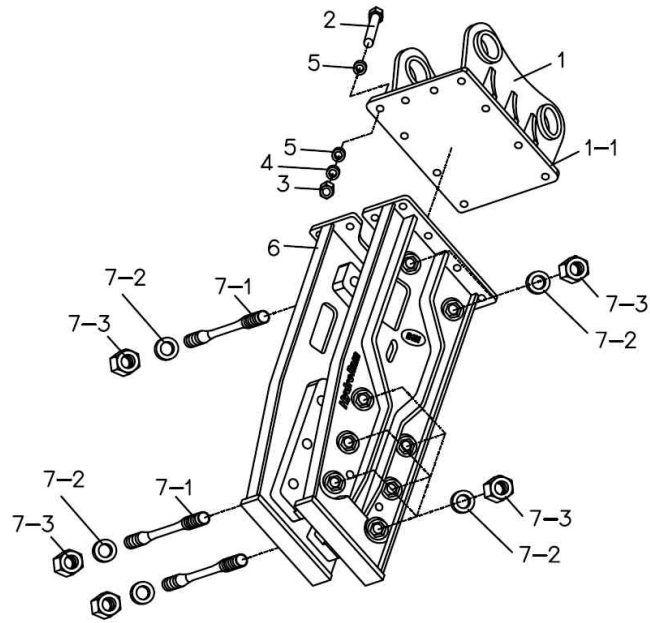
■ HK330 N2 GAS CHARGING KIT PARTS LIST

No.	Part No.	Part Name	Q'ty	MEMO
0	DA698000	N ₂ GAS CHARGING KIT	1	
1	13105900	N ₂ GAS 3-WAY VALVE ASSEMBLY	1	
2	16802000	N ₂ HOSE	1	
3	13105910	N ₂ COUPLING KIT	1	
4	13105930	N ₂ GAS CYLINDER	1	

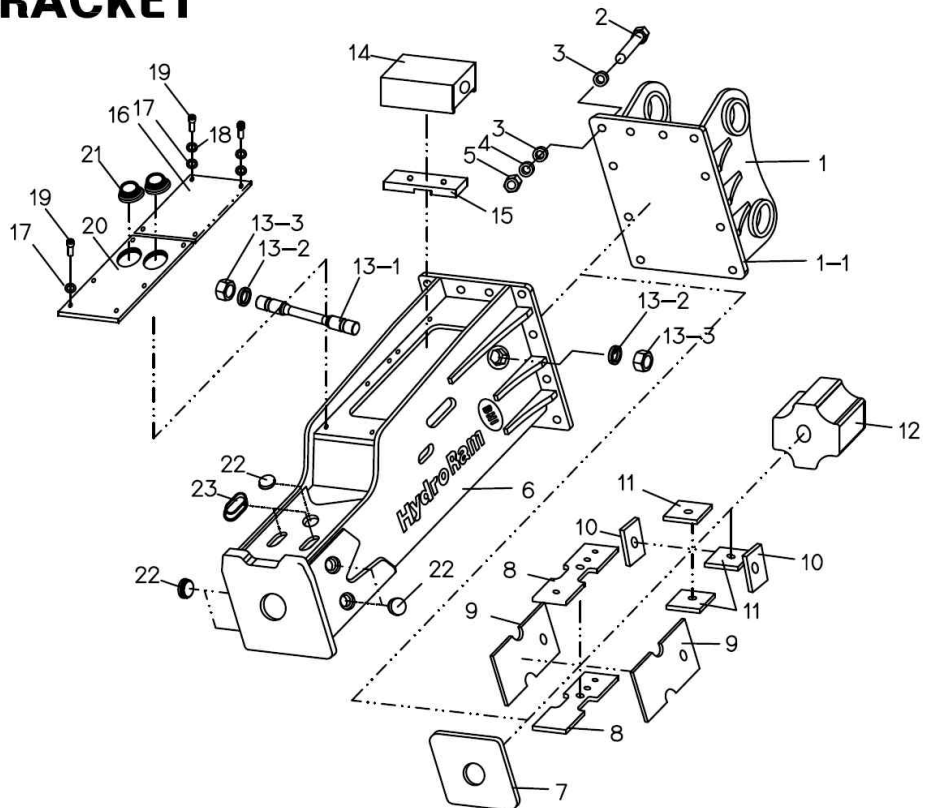
■ HK330 BRACKET PARTS LIST

HK330

TOP BRACKET



SILENCE BRACKET



■ HK330 BRACKET PARTS LIST

■ HK330 TOP BRACKET				■ HK330S SILENCE BRACKET			
No.	Part No.	Part Name	Q'ty	No.	Part No.	Part Name	Q'ty
0	DD200000	TOP BRACKET ASSEMBLY	1	0	DD300000	SILENCE BRACKET ASSEMBLY	1
1	DC300870	TOP BRACKET	1	1	DC300870	TOP BRACKET	1
2	20009790	HEX HEAD BOLT	12	2	20009790	HEX HEAD BOLT	12
3	12001510	HEX HEAD NUT	12	3	13000150	FLAT WASHER	24
4	13000150	FLAT WASHER	24	4	13001160	SPRING WASHER	12
5	13001160	SPRING WASHER	12	5	12001510	HEX HEAD NUT	12
6	DD200050	TOP BRACKET	1	6	DD300010	SILENCE BRACKET	1
7	DC693010	SET BOLT SET	8	7	DD300040	DOWN CUSHION	1
7-1	DC200100	SET BOLT	1	8	DD300060	LOW FRONT WEAR PLATE	2
7-2	DC100080	SET BOLT WASHER	2	9	DD300050	LOW SIDE WEAR PLATE	2
7-3	DC200110	SET BOLT NUT	2	10	DC300840	SIDE WEAR PLATE	2
*	DD695100	DECAL KIT (TOP)	*	11	DC300850	FRONT WEAR PLATE	3
MEMO				12	DL300140	UPPER CUSHION	1
				13	DD693010	SET BOLT SET	1
				13-1	DE200040	SET BOLT	1
				13-2	DD300100	SET BOLT WASHER(T15)	2
				13-3	DE200050	SET BOLT NUT	2
				14	DD300070	MIDDLE BLOCK	1
				15	DD300090	MIDDLE BLOCK CUSHION	1
				16	DD300020	UPPER COVER	1
				17	13000080	FLAT WASHER	10
				18	13001080	SPRING WASHER	4
				19	20211760	HEX SOCKET HEAD BOLT	10
				20	DD300030	DOWN COVER	1
				21	13008030	HOSE PROTECT	2
				22	D9300070	RUBBER CAP-S	5
				23	D8300130	RUBBER CAP-F	4
				*	DD695200	DECAL KIT (SILENCE)	*
				MEMO			

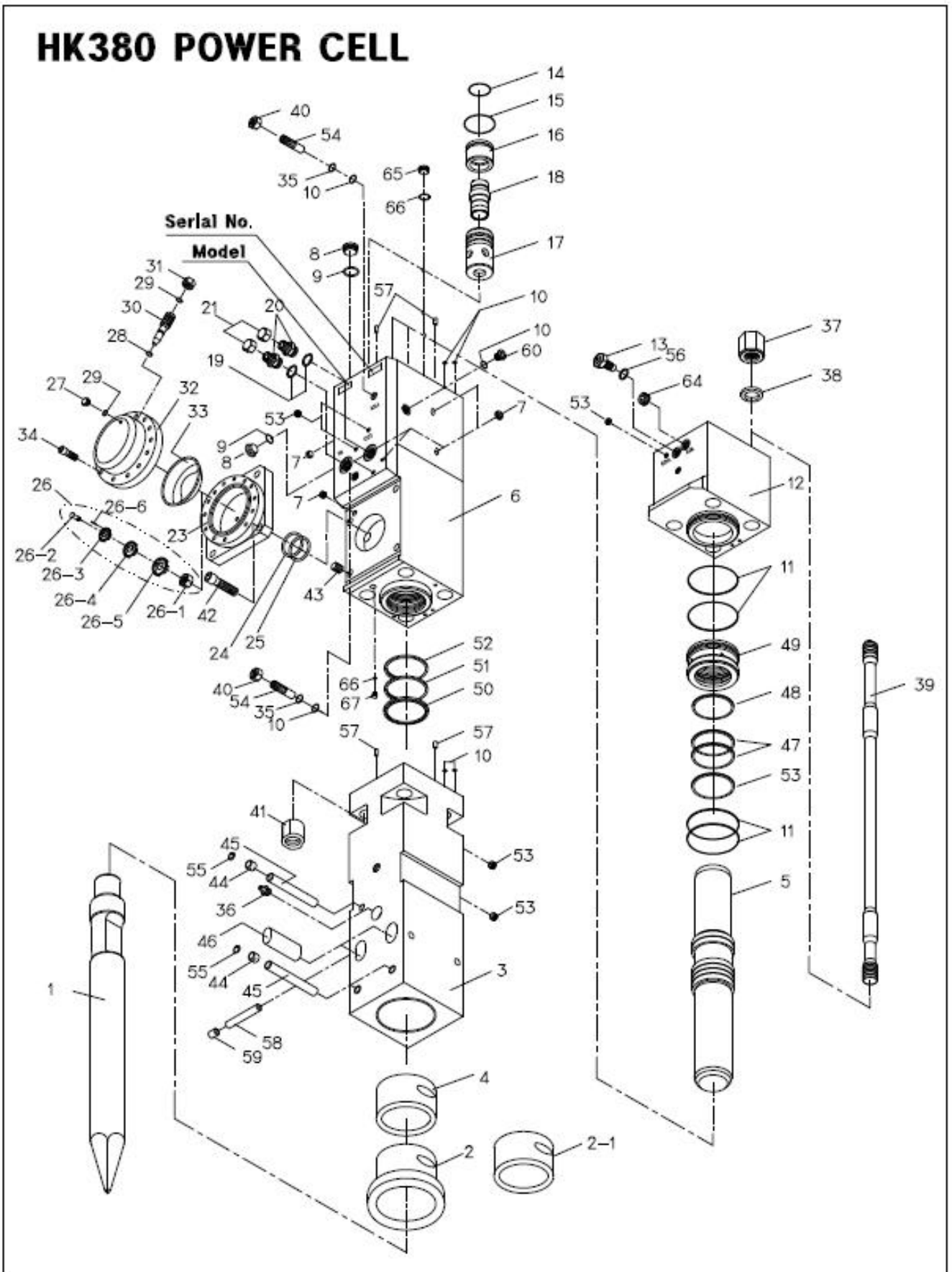


BHI
HydroRam
Hydraulic Hammer

HK380
Parts List



■ HK380 POWER CELL PARTS LIST



■ HK380 POWER CELL PARTS LIST

No.	Part No.	Part Name	Q'ty	No.	Part No.	Part Name	Q'ty
0	DE000000	POWER CELL ASSEMBLY	1	21	13007170	UNION CAP(PF)	0
1	DE000120	TOOL(MOIL)	1	21-1	13007050	UNION CAP(JIC)	2
1-1	DE000100	TOOL(H-WEDGE)	0	21-2	13007460	UNION CAP(ORFS)	0
1-2	DE000140	TOOL(CONE)	0	*22	DE000300	ACCUMULATOR ASSEMBLY	1
1-3	DE000130	TOOL(BLUNT)	0	23	DE000310	ACCUMULATOR BODY	1
1-4	DE000110	TOOL(V-WEDGE)	0	24	22409600	BACK UP RING	1
2	DE000050	TOOL HOLDER BUSHING(T)	1	25	22402540	O-RING	1
2-1	DE000150	TOOL HOLDER BUSHING(S)	1	26	DE692300	ACC. ORIFICE SET	1
2-2	DE001010	TOOL HOLDER BUSHING(T) (Oversized (+0.08~+0.1mm))	-	26-1	DA000440	LOCK NUT	1
2-3	DE001050	TOOL HOLDER BUSHING(S) (Oversized (+0.08~+0.1mm))	-	26-2	DE000350	ORIFICE(A)	1
3	DE000020	TOOL HOLDER	1	26-3	DF000690	ORIFICE(B)	1
4	DE000040	ROUND BUSHING	1	26-4	DF000700	ORIFICE(C)	1
4-1	DE001210	ROUND BUSHING (Oversized (+0.08~+0.1mm))	-	26-5	DF000710	ORIFICE(D)	1
5	DE000090	PISTON	1	26-6	DE000360	HOLDER PIN	1
6	DE000010	CYLINDER	1	27	DA000510	O-RING CAP	1
7	13006010	PT SOCKET PLUG	6	28	22401930	O-RING	1
8	DF000050	M36 SOCKET PLUG	3	29	22402040	O-RING	2
9	22402210	O-RING	3	30	DC000330	CHARGING VALVE	1
10	22402060	O-RING	7	31	DC000320	O-RING PLUG	1
11	22401670	O-RING	4	32	DE000330	ACCUMULATOR COVER	1
12	DE000030	HEAD CAP	1	33	DE000320	DIAPHRAGM	1
13	D7000200	GAS VALVE ASSEMBLY	1	34	20215040	HEX SOCKET HEAD BOLT	12
14	22401410	O-RING	1	35	22405650	BACK UP RING	2
15	22401440	O-RING	1	36	13007810	GREASE NIPPLE	1
16	DC000220	MAIN VALVE CAP	1	37	DE000230	TOP NUT	4
17	DC000230	MAIN VALVE CASE	1	38	DE000240	TOP NUT WASHER	4
18	DC000240	MAIN VALVE	1	39	DE000200	TENSION BOLT	4
19	22402260	O-RING	2	40	12002410	HEX HEAD NUT	2
20	13008890	O-RING ADAPTER(PF*PF)	0	41	DE000220	BOTTOM NUT	4
20-1	13009380	O-RING ADAPTER(PF*JIC)	2	42	20213620	HEX SOCKET HEAD BOLT	4
20-2	13009570	O-RING ADAPTER(PF*ORFS)	0	43	13102810	HELI COIL SPRING	4

■ HK380 POWER CELL PARTS LIST

No.	Part No.	Part Name	Q'ty	No.	Part No.	Part Name	Q'ty				
44	13007340	RUBBER PLUG	3	-	DE691000	HEAD CAP SET	-				
45	DE000070	STOP PIN	3	-	DE691100	CYLINDER SET	-				
46	DE000060	RETAINER PIN	2	-	DE691200	TOOL HOLDER SET	-				
47	22300140	STEP SEAL	2	-	DC691300	MAIN VALVE SET	-				
48	22200220	GAS SEAL	1	-	DE691410	TENSION BOLT SET	-				
49	DE000210	CYLINDER BUSHING	1	-	DE000300	ACCUMULATOR ASSEMBLY	-				
50	22002750	DUST SEAL	1	MEMO							
51	22004010	U PACKING SEAL	1								
52	22000310	BUFFER SEAL	1								
53	13006030	PT SOCKET PLUG	5								
54	DF000590	ADJUSTER VALVE	2								
55	13003170	SNAP RING	3								
56	22402070	O-RING	1								
57	D9000050	PIN	4								
58	DC000450	STOP PIN	2								
59	13007320	RUBBER PLUG	2								
60	D4000280	M18 SOCKET PLUG	1								
*61	16801770	SPRING HOSE(PF*PF)	0								
61-1	16804740	SPRING HOSE(JIC*JIC)	2								
61-2	16811020	SPRING HOSE(ORFS*ORFS)	0								
*62	13006590	HOSE PLUG(PF)	0								
62-1	13008430	HOSE PLUG(JIC)	2								
62-2	13008260	HOSE PLUG(ORFS)	0								
63	DE000290	BUFFER RING SEAL	1								
64	13006020	PT SOCKET PLUG	1								
66	22402000	O-RING	2								
67	DE000340	PF SOCKET PLUG	2								
MEMO											

■ HK380 SPARE SEAL KIT PARTS LIST

No.	Part No.	Part Name	Q'ty	MEMO
0	DE691520	SPARE SEAL KIT	1	
1	22402210	O-RING	3	
2	22402060	O-RING	7	
3	22401670	O-RING	4	
4	22401410	O-RING	1	
5	22401440	O-RING	1	
6	22402260	O-RING	2	
7	22409600	BACK UP RING	1	
8	22402540	O-RING	1	
9	22401930	O-RING	1	
10	22402040	O-RING	2	
11	22405650	BACK UP RING	2	
12	22300140	STEP SEAL	2	
13	22200220	GAS SEAL	1	
14	22002750	DUST SEAL	1	
15	22004010	U PACKING SEAL	1	
16	22000310	BUFFER SEAL	1	
17	22402070	O-RING	1	
18	DE000290	BUFFER RING SEAL	1	
19	22402000	O-RING	2	
MEMO				

■ HK380 TOOL KIT PARTS LIST

No.	Part No.	Part Name	Q'ty			Remarks
			Side	Top	Silence	
0	-	TOOL KIT	DE691600	DE691700	DE691800	HK380
1	16502990	TOOL BOX	1	1	1	No.1
2	16500260	COMBI SPANNER	1	1	1	14mm
3	16502580	SINGLE SPANNER	1	1	1	50mm
4	16502510	SINGLE SPANNER	1	1	1	32mm
5	16502100	DOUBLE SPANNER	1	1	1	27X30mm
6	16501140	L WRENCH	1	1	1	5mm
7	16501170	L WRENCH	1	1	1	10mm
8	16501190	L WRENCH	1	1	1	14mm
9	16501200	L WRENCH	1	1	1	17mm
10	16501210	L WRENCH	1	1	1	19mm
11	16503090	HANDLE RETAINER PIN	1	1	1	M12
12	16500780	HAMMER RING WRENCH	1	1	1	80mm
13	16500730	HAMMER RING WRENCH	-	1	1	55mm

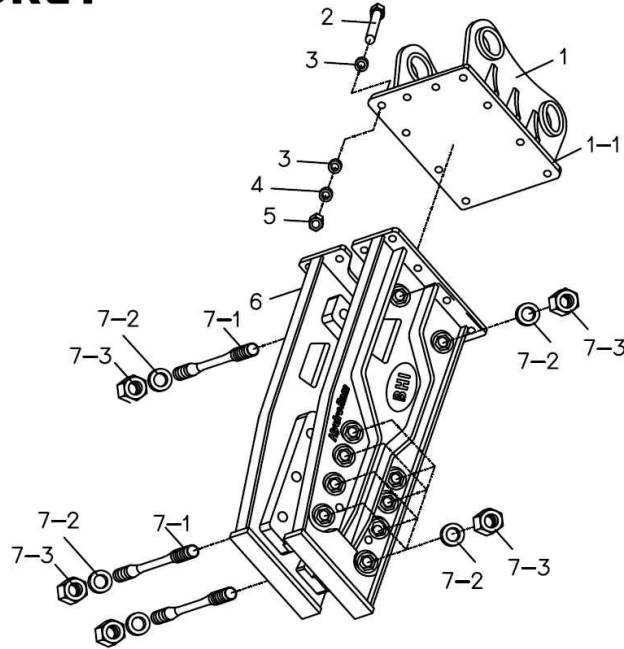
■ HK380 N2 GAS CHARGING KIT PARTS LIST

No.	Part No.	Part Name	Q'ty	MEMO
0	DA698000	N ₂ GAS CHARGING KIT	1	
1	13105900	N ₂ GAS 3-WAY VALVE ASSEMBLY	1	
2	16802000	N ₂ HOSE	1	
3	13105910	N ₂ COUPLING KIT	1	
4	13105930	N ₂ GAS CYLINDER	1	

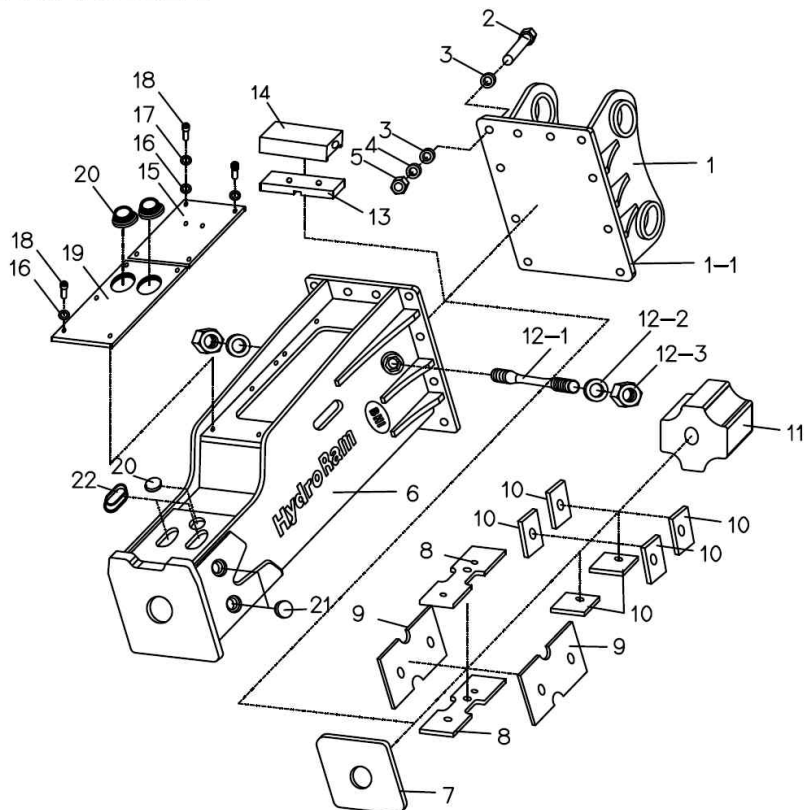
■ HK380 BRACKET PARTS LIST

HK380

TOP BRACKET



SILENCE BRACKET



■ HK380 BRACKET PARTS LIST

■ HK380 TOP BRACKET				■ HK380S SILENCE BRACKET			
No.	Part No.	Part Name	Q'ty	No.	Part No.	Part Name	Q'ty
0	DE200000	TOP BRACKET ASSEMBLY	1	0	DE300000	SILENCE BRACKET ASSEMBLY	1
1	DE200080	TOP BRACKET	1	1	DE200080	TOP BRACKET	1
2	20009790	HEX HEAD BOLT	12	2	20009790	HEX HEAD BOLT	12
3	13000150	FLAT WASHER	24	3	13000150	FLAT WASHER	24
4	13001160	SPRING WASHER	12	4	13001160	SPRING WASHER	12
5	12001510	HEX HEAD NUT	12	5	12001510	HEX HEAD NUT	24
6	DE200010	SIDE PLATE BRACKET	1	6	DE300010	SILENCE BRACKET	1
7	DE693000	SET BOLT SET	10	7	DE300060	DOWN CUSHION	1
7-1	DE200040	SET BOLT	10	8	DE300020	LOW FRONT WEAR PLATE	2
7-2	DE200060	SET BOLT WASHER	20	9	DE300030	LOW SIDE WEAR PLATE	2
7-3	DE200050	SET BOLT NUT	20	10	DC300850	FRONT WEAR PLATE	6
*	DE695100	DECAL KIT(TOP)	*	11	DL300140	UPPER CUSHION	1
MEMO				12	DC693010	SET BOLT SET	1
				12-1	DC200100	SET BOLT	1
				12-2	DC100080	SET BOLT WASHER	2
				12-3	DC200110	SET BOLT NUT	2
				13	DE300130	MIDDLE BLOCK CUSHION	1
				14	DE300120	MIDDLE BLOCK	1
				15	DE300050	UPPER COVER	1
				16	13000100	FLAT WASHER	10
				17	13001100	SPRING WASHER	4
				18	20212470	HEX SOCKET HEAD BOLT	10
				19	DE300040	DOWN COVER	1
				20	13008030	HOSE PROTECT	2
				21	D9300070	RUBBER CAP-S	5
				22	DA300140	RUBBER CAP-F	4
				*	DE695200	DECAL KIT(SILENCE)	-

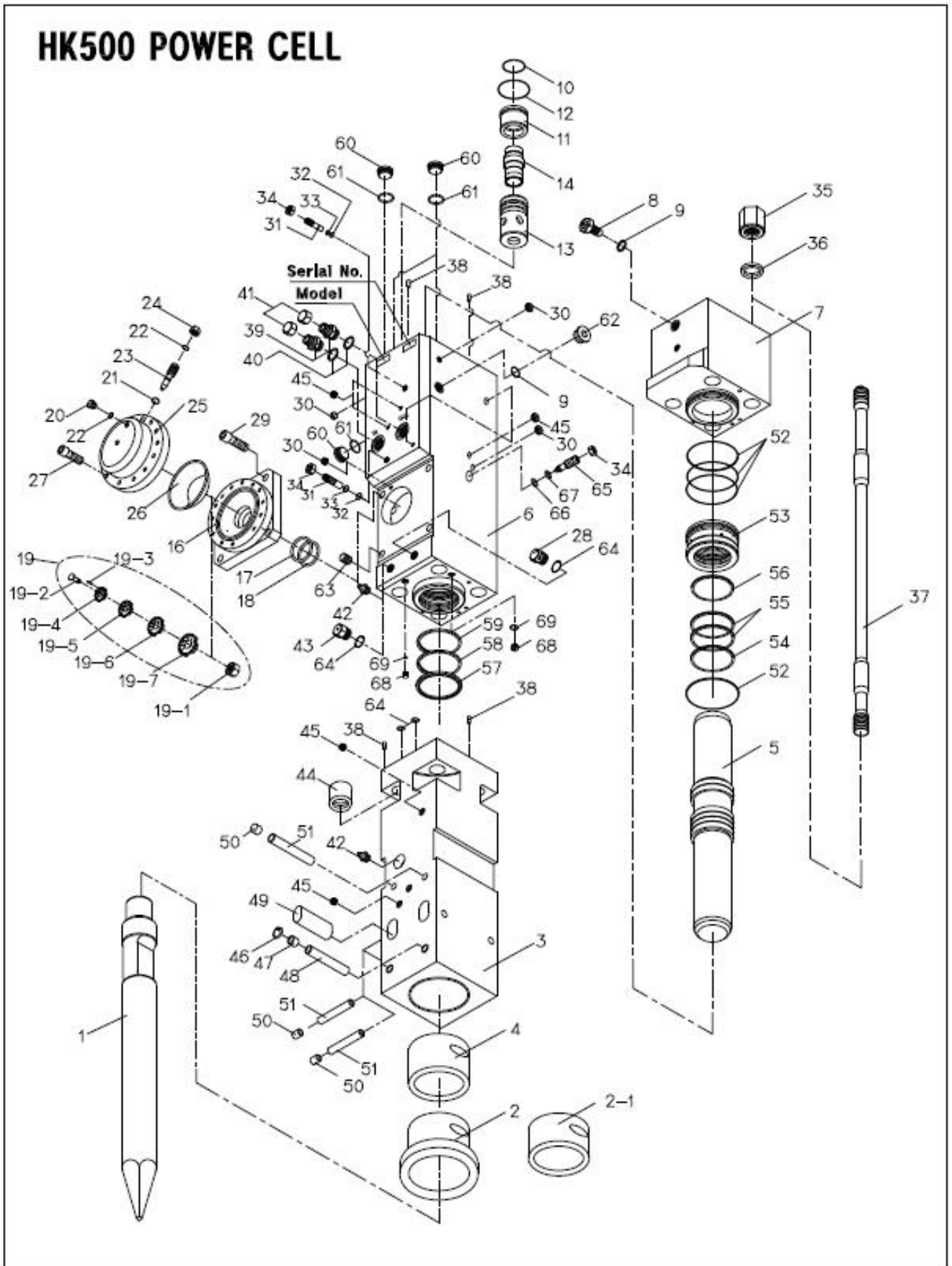


BHI
HydroRam
Hydraulic Hammer

HK500
Parts List



■ HK500 POWER CELL PARTS LIST



■ HK500 POWER CELL PARTS LIST

No.	Part No.	Part Name	Q'ty	No.	Part No.	Part Name	Q'ty
0	DF000000	POWER CELL ASSEMBLY	1	19-6	DF000710	ORIFICE(D)	1
1	DF000060	TOOL (MOIL)	1	19-7	DF000720	ORIFICE(E)	1
1-1	DF000070	TOOL (H-WEDGE)	0	20	DA000510	O-RING CAP	1
1-2	DF000100	TOOL (BLUNT)	0	21	22401930	O-RING	1
1-3	DF000090	TOOL (CONE)	0	22	22402040	O-RING	2
1-4	DF000080	TOOL (V-WEDGE)	0	23	DC000320	CHARGING VALVE	1
2	DF000210	TOOL HOLDER BUSHING(T)	1	24	DC000320	O-RING PLUG	1
2-1	DF001010	TOOL HOLDER BUSHING(T) (Oversized (+0.08~+0.1))	-	25	DF000650	ACCUMULATOR COVER	1
2-2	DF000400	TOOL HOLDER BUSHING(S)	0	26	DF000740	DIAPHRAGM	1
2-3	DF001050	TOOL HOLDER BUSHING(S) (Oversized (+0.08~+0.1))	-	27	20215070	HEX HEAD BOLT	16
3	DF000220	TOOL HOLDER	1	28	DF000800	NON RETURN VALVE	1
4	DF000230	ROUND BUSHING	1	29	20215090	HEX SOCKET HEAD BOLT	4
4-1	DF001210	ROUND BUSHING (Oversized (+0.08~+0.1))	-	30	13006010	PT SOCKET PLUG	6
5	DF000240	PISTON	1	31	DF000590	ADJUSTER VALVE	2
6	DF000640	CYLINDER	1	32	22402060	O-RING	2
7	DF000420	HEAD CAP	1	33	22405650	BACK UP RING	2
8	D7000200	GAS VALVE ASSEMBLY	1	34	12002410	HEX HEAD NUT	2
9	22402070	O-RING	2	35	DF000780	TOP NUT	4
10	22401410	O-RING	1	36	DF000770	TOP NUT WASHER	4
11	DF000570	MAIN VALVE CAP	1	37	DF000760	TENSION BOLT	4
12	22401440	O-RING	1	38	D9000050	PIN	4
13	DF000580	MAIN VALVE CASE	1	39	13008890	O-RING ADAPTER(PF*PF)	0
14	DF000560	MAIN VALVE	1	39-1	13009380	O-RING ADAPTER(JIC*JIC)	2
15	DF000670	ACCUMULATOR ASSEMBLY	1	39-2	13009570	O-RING ADAPTER(ORFS*ORFS)	0
16	DF000660	ACCUMULATOR BODY	1	40	22402260	O-RING	2
17	22409610	BACK UP RING	1	41	13007170	UNION CAP(PF)	0
18	22402550	O-RING	1	41-1	13007050	UNION CAP(JIC)	2
19	DF692300	ACC. ORIFICE SET	1	41-2	13007460	UNION CAP(ORFS)	0
19-1	DA000440	LOCK NUT	1	42	13007810	GREASE NIPPLE	1
19-2	DF000680	ORIFICE(A)	1	43	DF300490	PF CONNECTION PLUG	1
19-3	DF000730	HOLDER PIN	1	44	DF000750	BOTTOM NUT	4
19-4	DF000690	ORIFICE(B)	1	45	13006030	PT SOCKET PLUG	5
19-5	DF000700	ORIFICE(C)	1	46	13003170	SNAP RING	2

■ HK500 POWER CELL PARTS LIST

No.	Part No.	Part Name	Q'ty	MEMO
47	13007340	RUBBER PLUG	2	
48	DF001260	STOP PIN(A)	2	
49	DF000340	RETAINER PIN	2	
50	13007350	RUBBER PLUG	4	
51	DF001270	STOP PIN(B)	4	
52	22401690	O-RING	4	
53	DF000370	CYLINDER BUSHING	1	
54	DF000390	BUFFER RING SEAL	1	
55	22300100	STEP SEAL	2	
56	22200110	GAS SEAL	1	
57	22002760	DUST SEAL	1	
58	22004020	U PACKING SEAL	1	
59	22000270	BUFFER SEAL	1	
60	DF000050	M36 SOCKET PLUG	4	
61	22402210	O-RING	4	
62	DA000400	PF SOCKET PLUG	1	
63	13103310	HELI COIL SPRING	4	
64	22402110	O-RING	4	
65	DL000230	CYLINDER ADJUSTER	1	
66	22402020	O-RING	1	
67	22405610	BACK UP RING	1	
68	DE000340	PF SOCKET PLUG	2	
69	22402000	O-RING	2	
*70	16801790	SPRING HOSE(F*PF)	0	
70-1	1804760	SPRING HOSE(JIC*JIC)	2	
70-2	16811030	SPRING HOSE(ORFS*ORFS)	0	
*71	13006590	HOSE PLUG(PF)	0	
71-1	13008430	HOSE PLUG(JIC)	2	
71-2	13008260	HOSE PLUG(ORFS)	0	
*	DF691000	HEAD CAP SET	*	
*	DF691110	CYLINDER SET	*	
*	DF691200	TOOL HOLDER SET	*	
*	DF691310	MAIN VALVE SET	*	
*	DF691420	TENSION BOLT SET	*	
*	DF000670	ACCUMULATOR ASSEMBLY	*	

■ HK500 SPARE SEAL KIT PARTS LIST

No.	Part No.	Part Name	Q'ty	MEMO
0	DF691520	SPARE SEAL KIT	1	
1	22402070	O-RING	2	
2	22401410	O-RING	1	
3	22401440	O-RING	1	
4	22409610	BACK UP RING	1	
5	22402550	O-RING	1	
6	22401930	O-RING	1	
7	22402040	O-RING	2	
8	22402060	O-RING	2	
9	22405650	BACK UP RING	3	
10	22402260	O-RING	2	
11	22401690	O-RING	4	
12	DF000390	BUFFER RING SEAL	1	
13	22300100	STEP SEAL	2	
14	22200110	GAS SEAL	1	
15	22002760	DUST SEAL	1	
16	22004020	U PACKING SEAL	1	
17	22000270	BUFFER SEAL	1	
18	22402210	O-RING	4	
19	22402110	O-RING	4	
20	22402020	O-RING	1	
21	22405610	BACK UP RING	1	
22	22402000	O-RING	2	
MEMO				

■ HK500 TOOL KIT PARTS LIST

No.	Part No.	Part Name	Q'ty			Remarks
			Side	Top	Silence	
0	-	TOOL KIT	DF691600	DF691700	DF691800	HK500
1	16502990	TOOL BOX	1	1	1	No. 1
2	16500260	COMBI SPANNER	1	1	1	14mm
3	16502510	SINGNE SPANNER	1	1	1	32mm
4	16502580	SINGLE SPANNER	1	1	1	50mm
5	16502100	DOUBLE SPANNER	1	1	1	27x30mm
6	16501140	L WRENCH	1	1	1	5mm
7	16501180	L WRENCH	1	1	1	12mm
8	16501190	L WRENCH	1	1	1	14mm
9	16501210	L WRENCH	1	1	1	19mm
10	16501230	L WRENCH	1	1	1	24mm(OPTION)
11	16500780	HAMMER RING WRENCH	1	1	1	80mm
12	16503090	HANDLE RETAINER PIN	1	1	1	M12
13	16500800	HAMMER RING WRENCH	1	1	-	90mm
14	16500730	HAMMER RING WRENCH	-	1	1	55mm

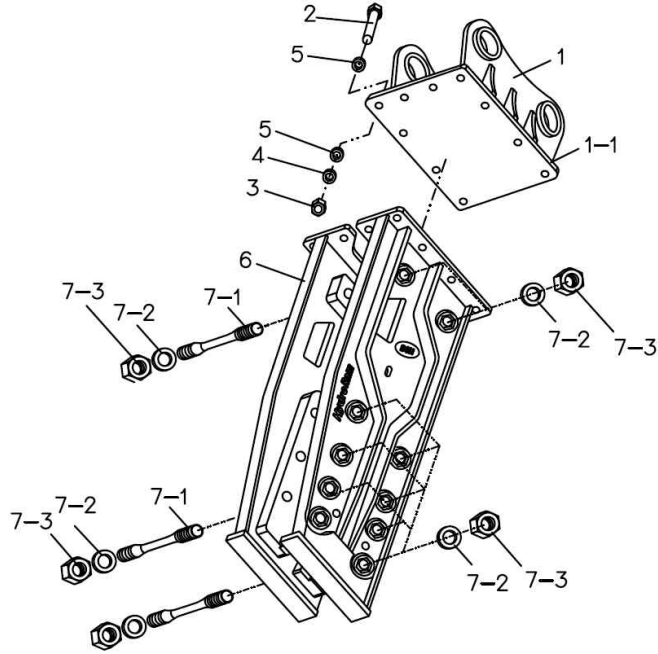
■ HK500 N2 GAS CHARGING KIT PARTS LIST

No.	Part No.	Part Name	Q'ty	MEMO
0	DA698000	N ₂ GAS CHARGING KIT	1	
1	13105900	N ₂ GAS 3-WAY VALVE ASSEMBLY	1	
2	16802000	N ₂ HOSE	1	
3	13105910	N ₂ COUPLING KIT	1	
4	13105920	N ₂ GAS CYLINDER	1	

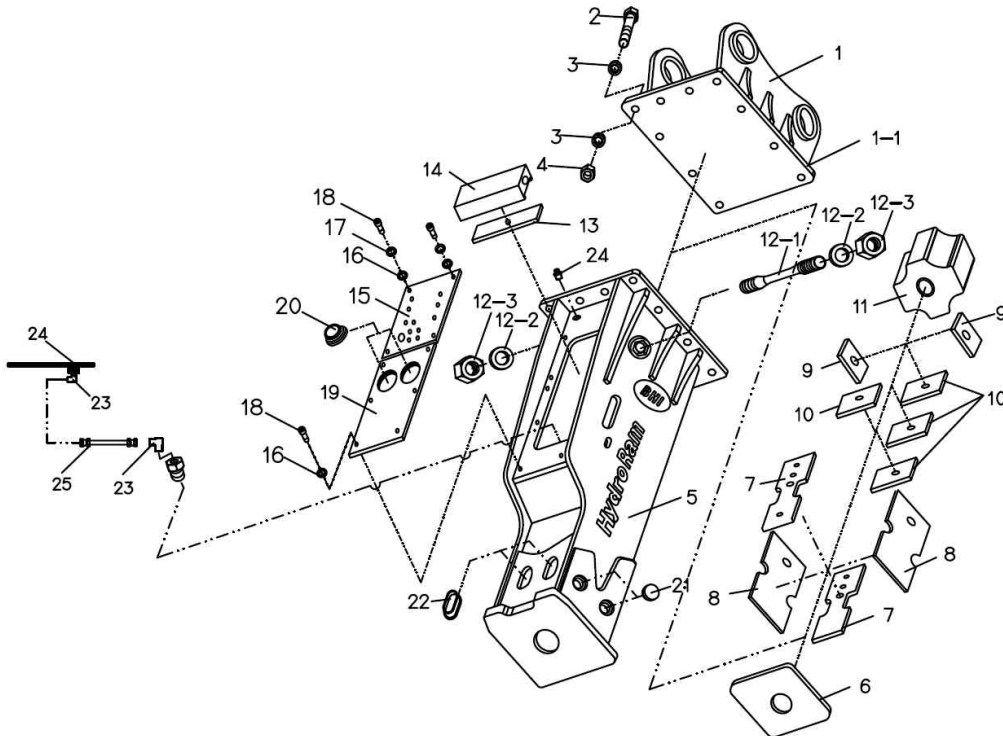
■ HK500 BRACKET PARTS LIST

HK500

TOP BRACKET



SILENCE BRACKET(2)



■ HK500 BRACKET PARTS LIST

■ HK500 TOP BRACKET				■ HK500S SILENCE BRACKET			
NO.	Part No.	Part Name	Q'ty	No	Part No.	Part Name	Q'ty
0	DF200000	TOP BRACKET ASSEMBLY	1	0	DF300000	SILENCE BRACKET ASSEMBLY	1
1	DF300510	TOP BRACKET	1	1	DF300510	TOP BRACKET	1
2	20009810	HEX HEAD BOLT	12	2	20009810	HEX HEAD BOLT	12
3	12001510	HEX HEAD NUT	12	3	13000150	FLAT WASHER	24
4	13001160	SPRING WASHER	12	4	12006460	NYLON NUT	12
5	13000150	FLAT WASHER	24	5	DF300010	SILENCE BRACKET	1
6	DF200130	SIDE PLATE BRACKET	1	6	DF300480	DOWN CUSHION	1
7	DF693010	SET BOLT SET	10	7	DF300080	LOW FRONT WEAR PLATE	2
7-1	DF200610	SET BOLT	1	8	DF300070	LOW SIDE WEAR PLATE	2
7-2	DC100080	SET BOLT WASHER	2	9	DF300050	SIDE WEAR PLATE	2
7-3	DC200110	SET BOLT NUT	2	10	DF300060	FRONT WEAR PLATE	4
-	DF695100	DECAL KIT(SILENCE)	1	11	DF300430	UPPER CUSHION	1
MEMO				12	DF693010	SET BOLT SET	1
				12-1	DF200610	SET BOLT	1
				12-2	DF100080	SET BOLT WASHER	2
				12-3	DC200110	SET BOLT NUT	2
				13	DF300600	MIDDLE BLOCK CUSHION	1
				14	DF300560	MIDDLE BLOCK	1
				15	DF300130	UPPER COVER	1
				16	13000100	FLAT WASHER	10
				17	13001100	SPRING WASHER	4
				18	20212470	HEX SOCKET HEAD BOLT	10
				19	DF300090	DOWN COVER	1
				20	13008030	HOSE PROTECT	2
				21	D9300070	RUBBER CAP-S	4
				22	DA300140	RUBBER CAP-F	4
				23	13009200	ELBOW ADAPTER	2
				24	13007810	GREASE NIPPLE	1
				25	DF300140	HOSE	1
-	DF695200	DECAL KIT(SILENCE)	1				