

BHI
HydroRam
Hydraulic Hammer

HK30
Parts List



■ HK30 POWER CELL PARTS LIST

No.	Part No.	Part Name	Q'ty	No.	Part No.	Part Name	Q'ty
0	D3000000	POWER CELL ASSEMBLY	1	23	D1000050	PIN	4
1	D3000210	TOOL(MOIL)	1	24	DC000330	CYLINDER ADJUSTER	1
1-1	D3000220	TOOL(H-WEDGE)	0	25	12001430	ADJUSTER NUT	1
1-2	D3000250	TOOL(CONE)	0	26	22401930	O-RING	1
1-3	D3000240	TOOL(BLUNT)	0	27	13006010	PT SOCKET PLUG	7
1-4	D3000230	TOOL(V-WEDGE)	0	28	*	*	*
1-5	D3000260	TOOL(SPADE H-WEDGE)	0	29	*	*	*
1-6	D3000270	TOOL(SPADE V-WEDGE)	0	30	D3000170	RETAINER PIN	1
2	D3000060	TOOL HOLDER BUSHING	1	31	13007800	GREASE NIPPLE	1
3	D3000020	ROUND BUSHING	1	32	22001780	DUST SEAL	1
4	D3000080	TOOL HOLDER	1	33	22003690	U PACKING SEAL	2
5	D3000040	PISTON	1	34	22300170	STEP SEAL	2
6	D3000010	CYLINDER	2	35	22200180	GAS SEAL	1
7	D3000050	CYLINDER BUSHING	1	36	22401430	O-RING	4
8	D3000100	HEAD CAP	1	37	D3000090	TENSION BOLT	4
9	D7000200	GAS VALVE ASSEMBLY	1	38	D3000130	TOP NUT	4
10	22402070	O-RING	3	39	D3000140	TOP NUT WASHER	4
11	22401330	O-RING	1	40	D4000230	ORIFICE SOCKET PLUG	1
12	22402090	O-RING	1	41	D1000240	SPRING PIN	1
13	D3000470	MAIN VALVE CAP	1	*42	16800230	SPRING HOSE(PF*PF)	0
14	D3000450	MAIN VALVE	1	42-1	16804020	SPRING HOSE(JIC*JIC)	2
15	D3000460	MAIN VALVE CASE	1	42-2	16811090	SPRING HOSE(ORFS*ORFS)	0
16	13008830	O-RING ADAPTER(PF*PF)	0	42-3	16804130	HOSE(FOR SKID, JIC*JIC)	0
16-1	13009330	O-RING ADAPTER(PF*JIC)	2	43	D1000250	SPRING PIN	2
16-2	13009520	O-RING ADAPTER(PF*ORFS)	0	*	*	*	*
17	13007110	UNION CAP(PF)	0	*	D3691000	HEAD CAP SET	*
17-1	13007020	UNION CAP(JIC)	2	*	D3691100	CYLINDER SET	*
17-2	13007420	UNION CAP(ORFS)	0	*	D3691200	TOOL HOLDER SET	*
*18	13006530	HOSE PLUG(PF)	0	*	D3691300	MAIN VALVE SET	*
18-1	13008400	HOSE PLUG(JIC)	2	*	D3691400	TENSION BOLT SET	*
18-2	13008220	HOSE PLUG(ORFS)	0	MEMO			
19	D4000280	M18 SOCKET PLUG	2				
20	22402060	O-RING	2				
21	DE000340	PF SOCKET PLUG	1				
22	22402000	O-RING	1				

■ HK30 SPARE SEAL KIT PARTS LIST

No.	Part No.	Part Name	Q'ty	No.	Part No.	Part Name	Q'ty
0	D3691500	SPARE SEAL KIT	1	MEMO			
1	22402070	O-RING	3				
2	22401330	O-RING	1				
3	22402090	O-RING	1				
4	22402060	O-RING	2				
5	22402000	O-RING	1				
6	22401930	O-RING	1				
7	22001780	DUST SEAL	1				
8	22003690	U PACKING SEAL	2				
9	22300170	STEP SEAL	2				
10	22200180	GAS SEAL	1				
11	22401430	O-RING	4				

■ HK30 TOOL KIT PARTS LIST

No.	Part No.	Part Name	Q'ty			Remarks
			Side	Top	Silence	
0	-	TOOL KIT	D3691600	D3691700	D3691800	HK30
1	16502990	TOOL BOX	1	1	1	No.2
2	16500260	COMBI SPANNER	1	1	1	14mm
3	16502100	DOUBLE SPANNER	1	1	1	27x30mm
4	16501140	L-WRENCH	1	1	1	5mm
5	16501150	L-WRENCH	1	1	1	6mm

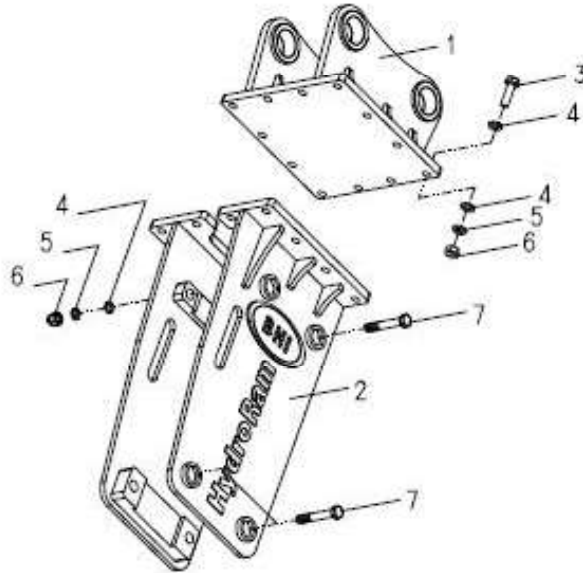
■ HK30 N2 GAS CHARGING KIT PARTS LIST

No.	Part No.	Part Name	Q'ty	MEMO
0	D5698000	N ₂ GAS CHARGING KIT	1	
1	13105900	N ₂ GAS 3-WAY VALVE ASSEMBLY	1	
2	16802000	N ₂ HOSE	1	
3	13105910	N ₂ COUPLING KIT	1	
4	13105930	N ₂ GAS CYLINDER	1	

■ HK30 BRACKET PARTS LIST

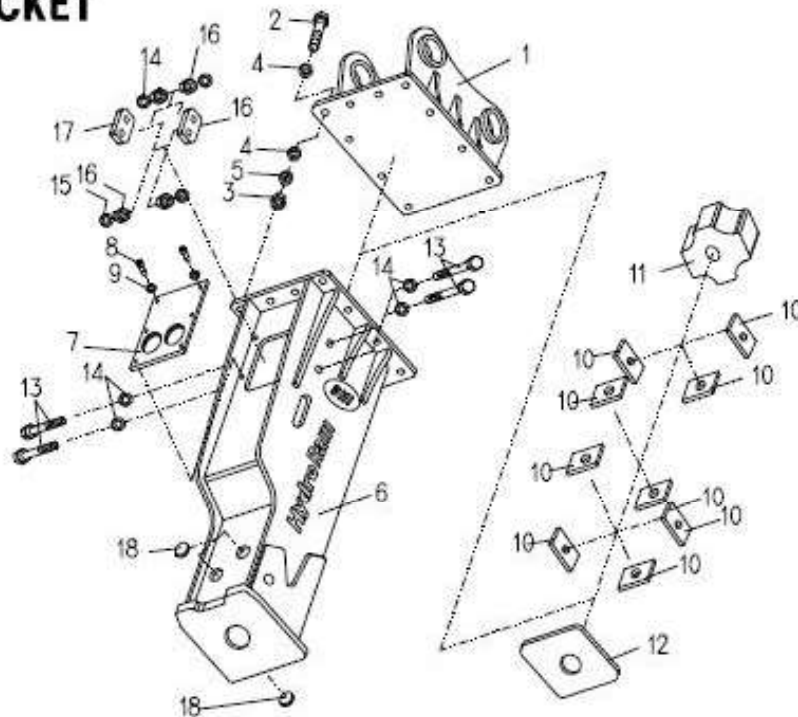
HK30

TOP BRACKET



BHI

SILENT BRACKET



BHI

■ HK30 BRACKET PARTS LIST

■ HK30 TOP BRACKET				■ HK30S SILENCE BRACKET			
No.	Part No.	Part Name	Q'ty	No.	Part No.	Part Name	Q'ty
0	D3200000	TOP BRACKET ASSEMBLY	1	0	D3300000	SILENCE BRACKET ASSEMBLY	1
1	D3200050	TOP BRACKET	1	1	D3200050	TOP BRACKET	1
2	D3200010	SIDE PLATE BRACKET	1	2	20007500	HEX HEAD BOLT	12
3	20007500	HEX HEAD BOLT	12	3	12001460	HEX HEAD NUT	12
4	13000100	FLAT WASHER	16	4	13000100	FLAT WASHER	12
5	13001100	SPRING WASHER	16	5	13001100	SPRING WASHER	12
6	12001460	HEX HEAD NUT	16	6	D3300010	SILENCE BRACKET	1
7	20007780	HEX HEAD BOLT	4	7	D3300020	COVER	1
*	D3693000	SET BOLT SET	*	8	20210700	HEX SOCKET HEAD BOLT	6
*	D3695100	DECAL KIT (TOP)	*	9	13000050	FLAT WASHER	6
MEMO				10	D3300030	SIDE WEAR PLATE	9
				11	D1300070	UPPER CUSHION	1
				12	D3300040	DOWN CUSHION	1
				13	20006770	HEX HEAD BOLT	4
				14	13000080	FLAT WASHER	4
				15	13001080	SPRING WASHER	4
				16	12001440	HEX HEAD NUT	4
				17	D1300090	STOPPER	2
				18	D2300080	RUBBER PLUG	3
				*	D3695200	DECAL KIT (SILENCE)	*
				MEMO			